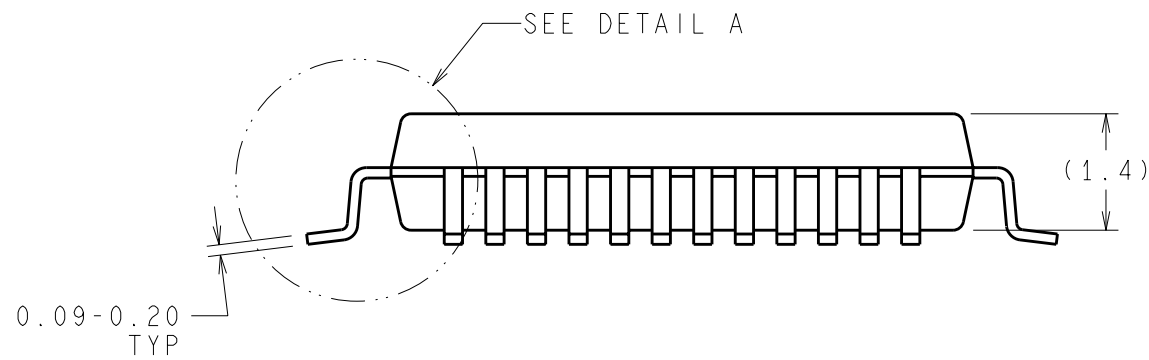
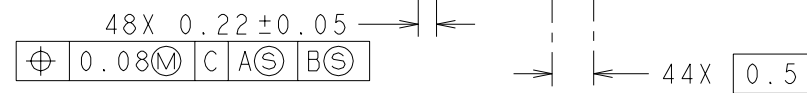
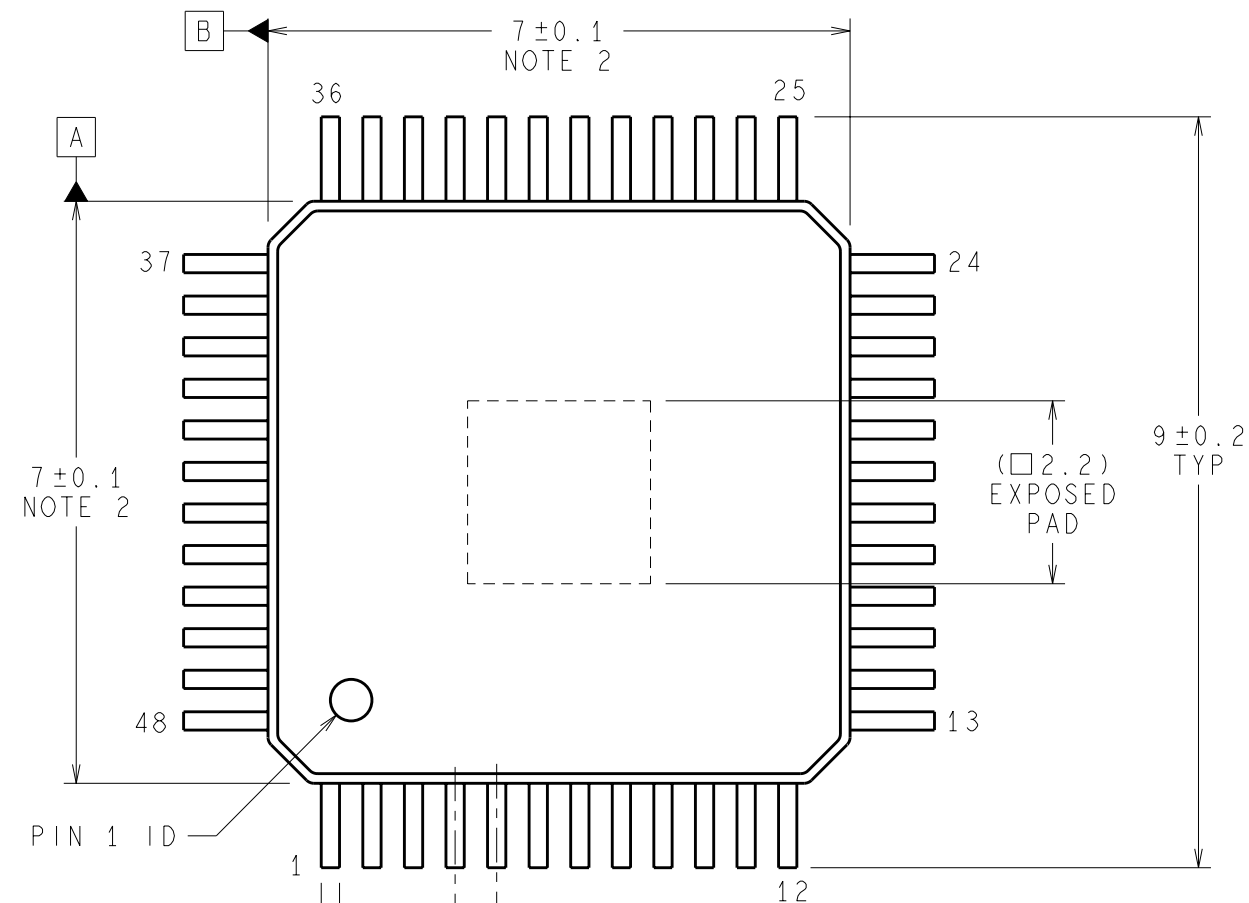
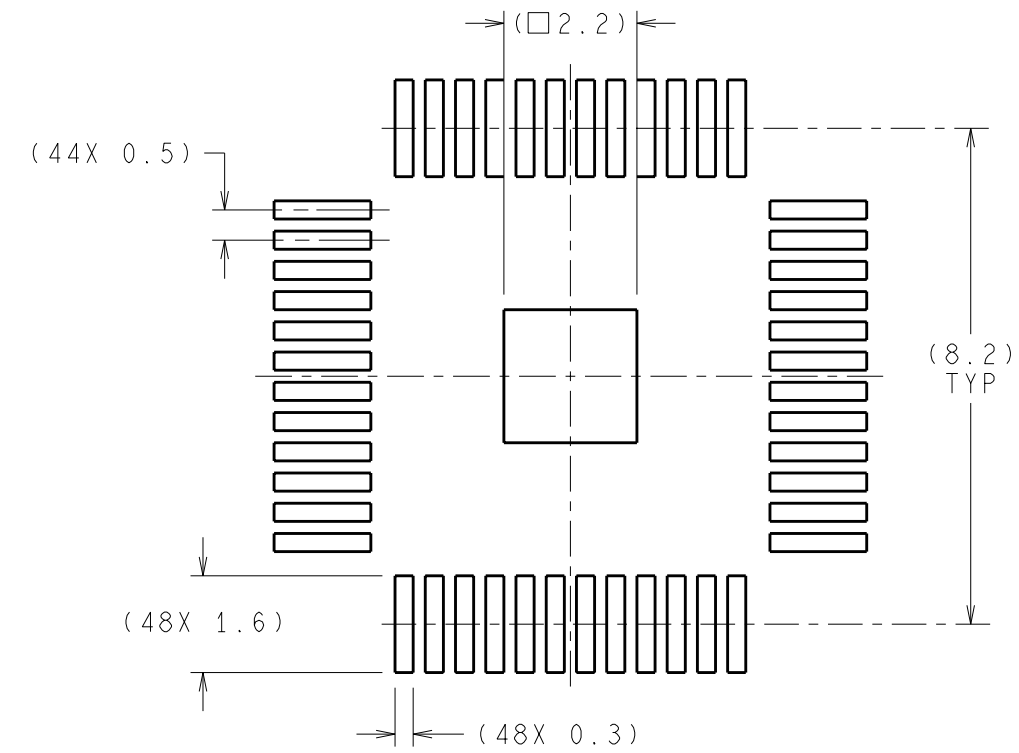


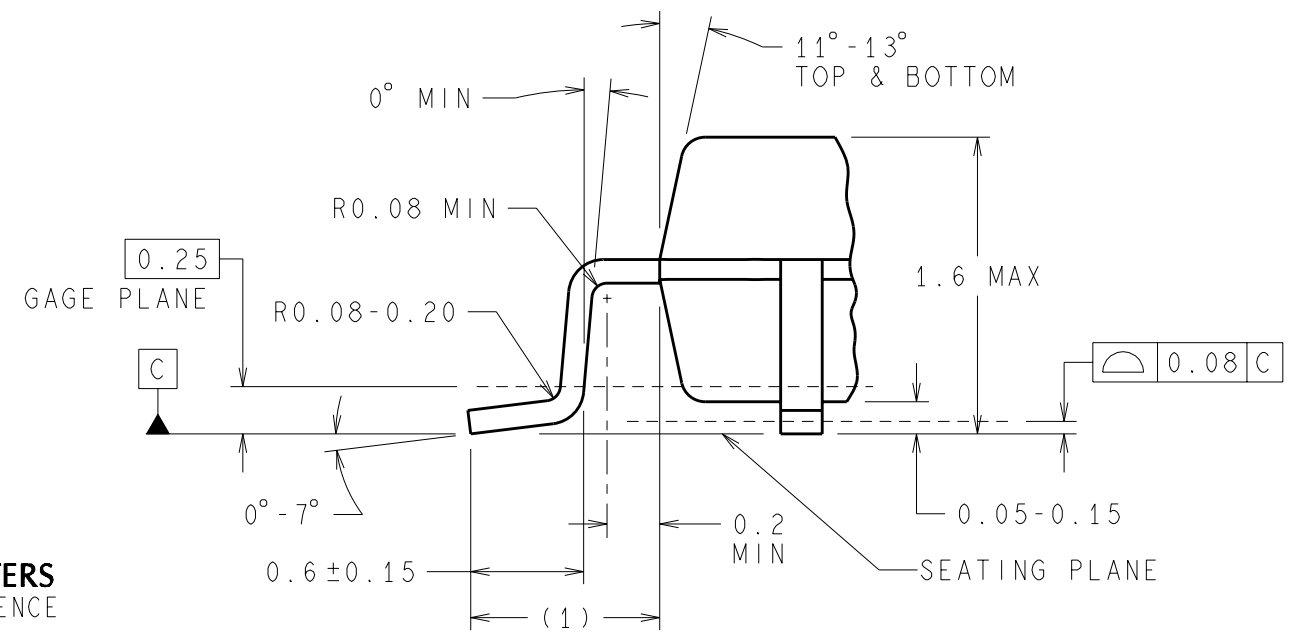
REVISIONS				
REV	DESCRIPTION	E.C.N.	DATE	BY/APP'D
A	RELEASE TO DOCUMENT CONTROL	1802	05/24/2005	TL/RW



**DIMENSIONS ARE IN MILLIMETERS**  
DIMENSIONS IN ( ) FOR REFERENCE



**RECOMMENDED LAND PATTERN**



**DETAIL A**  
TYPICAL

NOTES: UNLESS OTHERWISE SPECIFIED

1. FOR LEAD FINISH THICKNESS AND COMPOSITION, SEE "SOLDER INFORMATION" IN THE PACKAGING SECTION OF THE NATIONAL SEMICONDUCTOR WEB PAGE ([www.national.com](http://www.national.com)).
2. DIMENSION DOES NOT INCLUDE MOLD PROTRUSION. MAXIMUM ALLOWABLE MOLD PROTRUSION 0.25mm PER SIDE.
3. REFERENCE JEDEC REGISTRATION MS-026, VARIATION ABC.

APPROVALS		DATE	 National Semiconductor 2900 Semiconductor Dr., Santa Clara, CA 95052-8090	
DRAWN	T. LEQUANG	05/24/2005		
DFTG. CHK.	MARTA SUCHY	05/24/2005	<b>LQFP, 7x7x1.4mm,</b> <b>48 LD, 0.5mm PITCH,</b> <b>EXPOSED PAD, 2.2x2.2mm</b>	
ENGR. CHK.	RANDY WALBERG	05/24/2005		
PROJECTION	SCALE	SIZE	DRAWING NUMBER	REV
 MM	NTS	B	(SC)MKT-VXH48A	A
FORMERLY: N/A			SHEET 1 of 1	