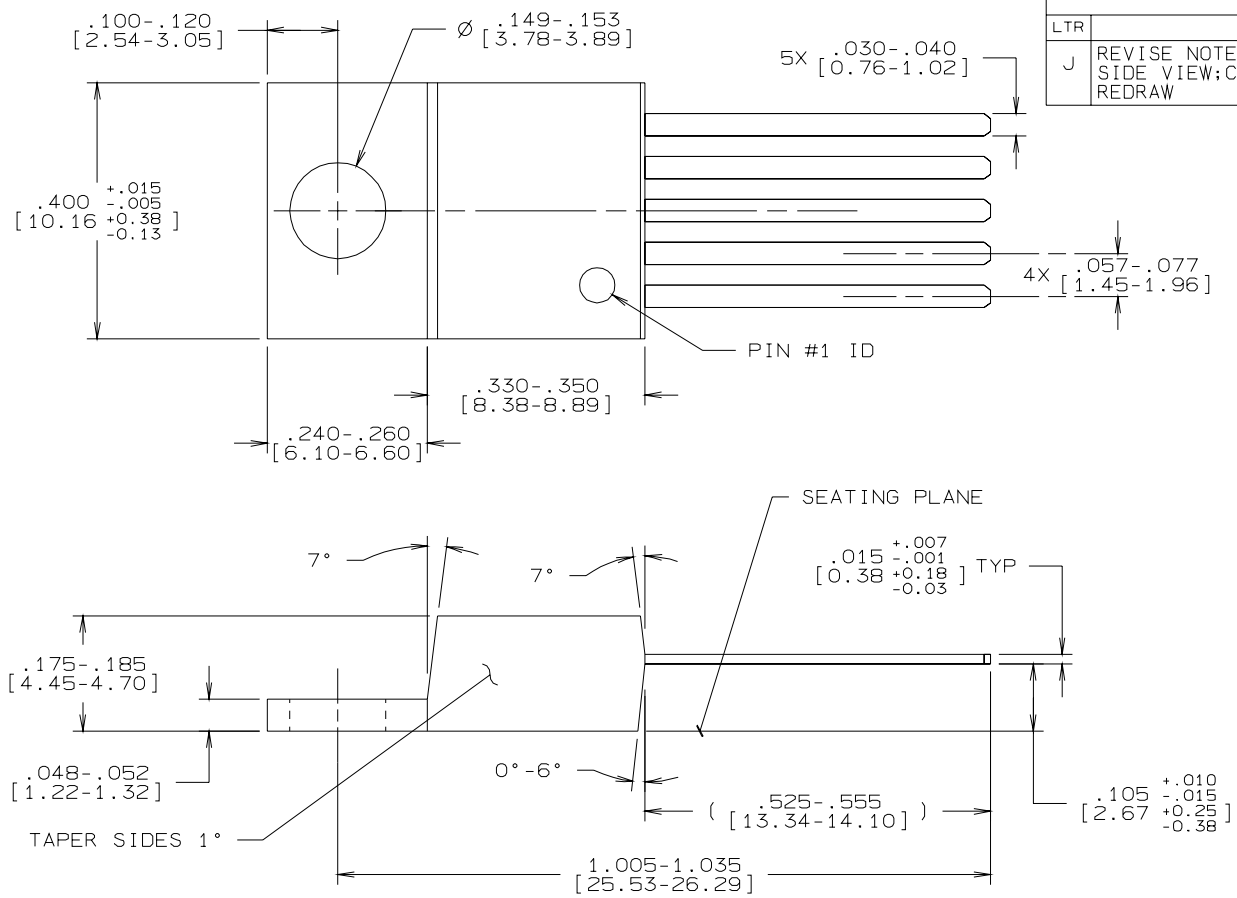


REVISIONS

LTR	DESCRIPTION	E.C.N.	DATE	BY/APP'D
J	REVISE NOTES; ADD ANGLE DIMS TO SIDE VIEW; CHANGE FORMAT OF DIMS. REDRAW	08970	01/21/92	KES/



NOTES: UNLESS OTHERWISE SPECIFIED

- STANDARD LEAD FINISH: 200 MICROINCHES/5.08 MICROMETERS MINIMUM LEAD/TIN 15/85 ON OLIN 194 OR EQUIVALENT.
- BODY DIMENSIONS BASED ON JEDEC STANDARD, TO-220, VARIATION AB, ISSUE J, DATED 3-24-87.
- REFERENCE DIMENSIONS ARE IN PARENTHESES.

CONTROLLING DIMENSION: INCH

APPROVALS	DATE	NATIONAL SEMICONDUCTOR CORPORATION 2900 Semiconductor Drive, Santa Clara, CA 95052-8090		
DRAWN <i>Yut Sincero</i> DFTG. CHK.	01/21/92	TO-220, MOLDED, 5 LEAD, STRAIGHT		
ENGR. CHK.				
APPROVAL				
PROJECTION INCH [MM]	SCALE	SIZE	DRAWING NUMBER	REV
	N/A	B	MKT-T05A	J
DO NOT SCALE DRAWING			SHEET 1 OF 1	