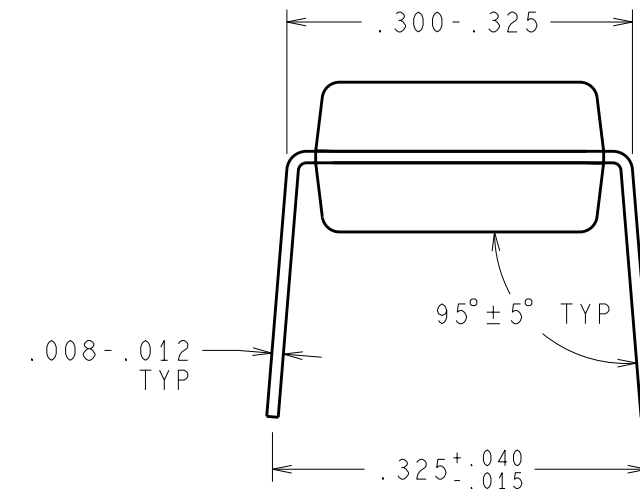
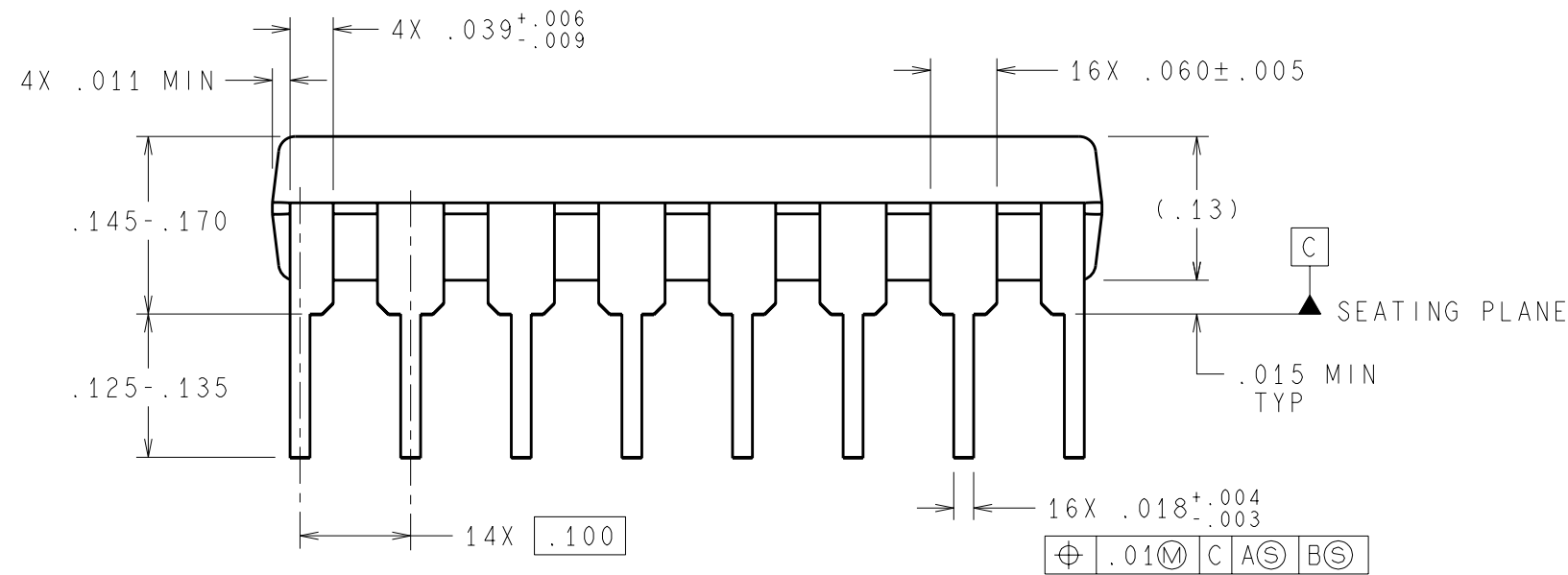
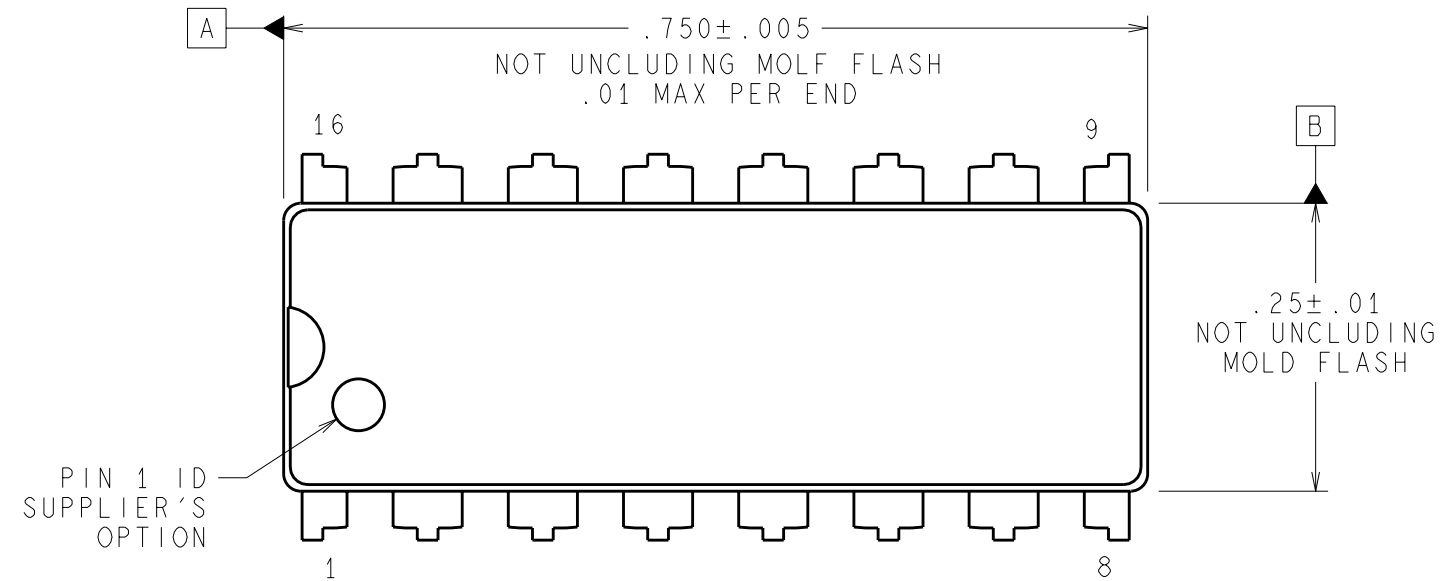


REVISIONS				
REV	DESCRIPTION	E.C.N.	DATE	BY/APP'D
G	REVISE & REDRAW PER CURRENT JEDEC REGIS. & STDS REVISE TITLE	2035	05/23/2006	TL/KS



NOTES: UNLESS OTHERWISE SPECIFIED

- FOR LEAD FINISH THICKNESS AND COMPOSITION, SEE "SOLDER INFORMATION" IN THE PACKAGING SECTION OF THE NATIONAL SEMICONDUCTOR WEB PAGE (www.national.com).
- REFERENCE JEDEC REGISTRATION MS-001, VARIATION BB.

DIMENSIONS ARE IN INCHES
DIMENSIONS IN () FOR REFERENCE ONLY

APPROVALS	DATE	National Semiconductor	
DRAWN F. LEQUANG	05/23/2006	2900 Semiconductor Dr., Santa Clara, CA 95052-8090	
DTG. CHK. MARTA SUCHY	05/23/2006	MDIP, .750x.250x.130in, 16 LEAD, .100in PITCH	
ENGR. CHK. KURT SINCERBOX	05/23/2006		
PROJECTION	SCALE	SIZE	DRAWING NUMBER
	NTS	B	(SC)MKT-N16E
INCH	FORMERLY: N/A		REV G