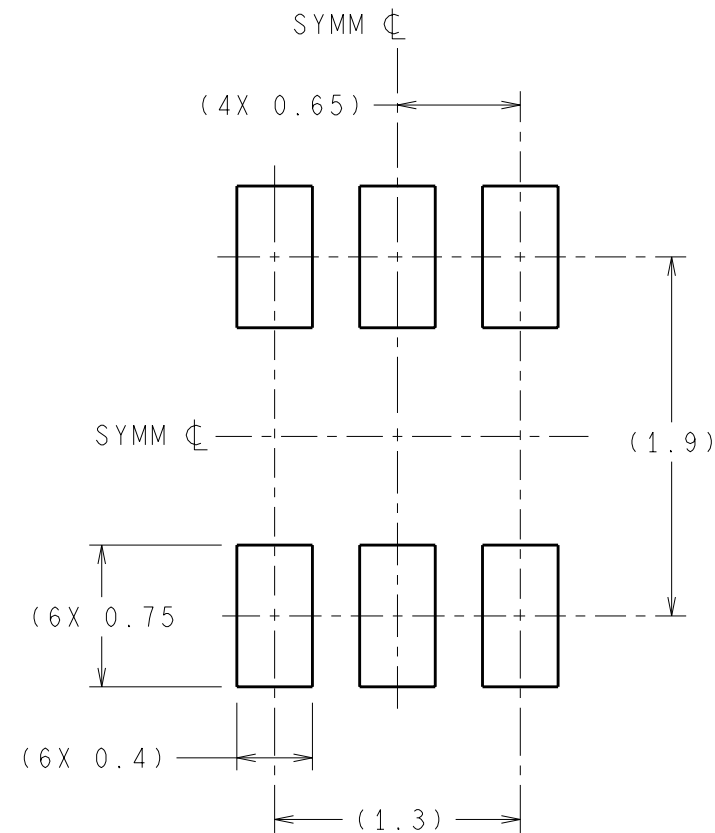
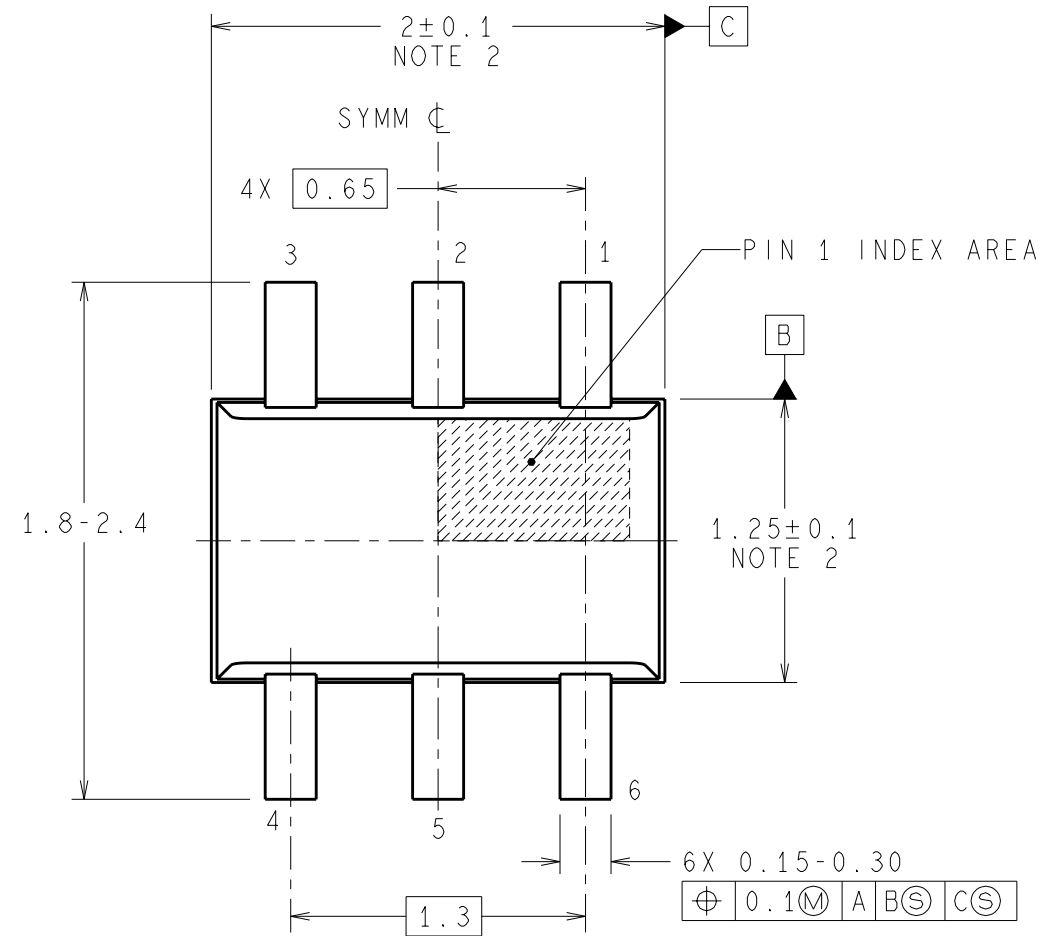
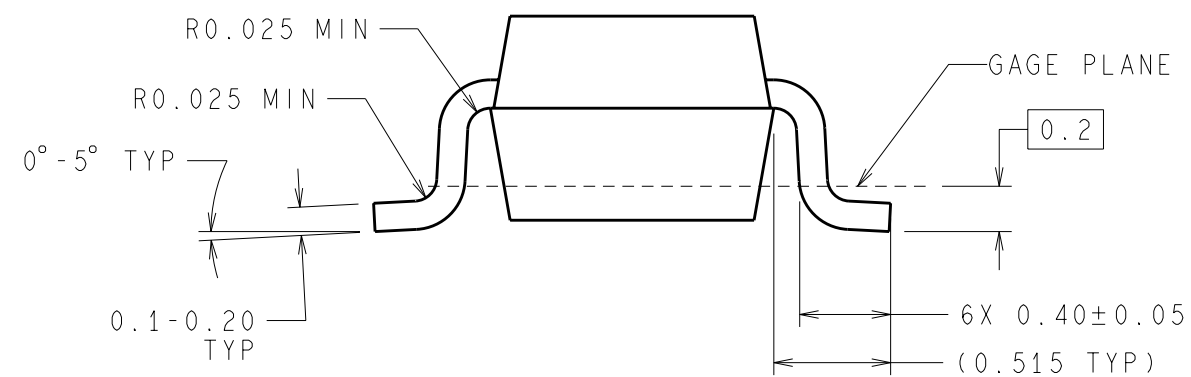
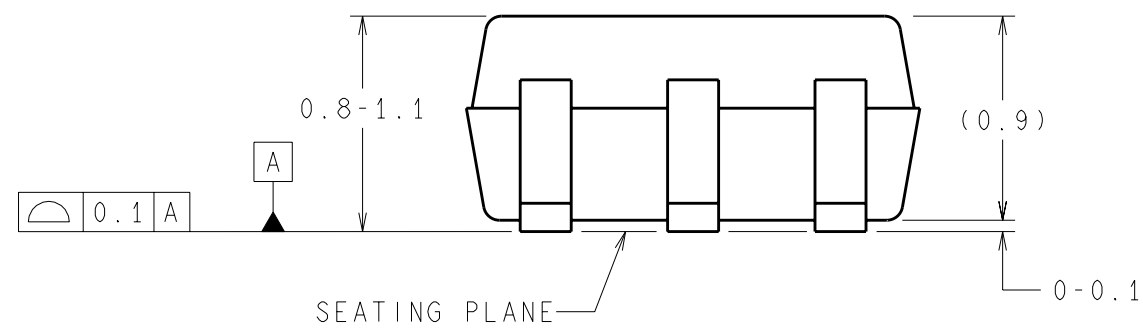


REVISIONS				
REV	DESCRIPTION	E.C.N.	DATE	BY/APP'D
A	RELEASE TO DOCUMENT CONTROL	321	10/26/2001	AS/TL/JJY
B	ADD PIN 1 INDEX AREA; UPDATE NOTE 1 & TITLE PER STDS; CHANGE DWG FORMAT FROM C TO B SIZE	2319	06/07/2007	TL/RW



**LAND PATTERN RECOMMENDATION**



**NOTES: UNLESS OTHERWISE SPECIFIED**

- FOR LEAD FINISH THICKNESS AND COMPOSITION, SEE "SOLDER INFORMATION" IN THE PACKAGING SECTION OF THE NATIONAL SEMICONDUCTOR WEB PAGE ([www.national.com](http://www.national.com)).
- DIMENSION DOES NOT INCLUDE MOLD FLASH.

**DIMENSIONS ARE IN MILLIMETERS**  
DIMENSIONS IN ( ) FOR REFERENCE ONLY

APPROVALS		DATE	National Semiconductor		
DRAWN	AFZMAM S.	10/26/2001	2900 Semiconductor Dr., Santa Clara, CA 95052-8090		
DFTG. CHK.	MARTA SUCHY	06/07/2007	<b>MOLDED SC-70,</b> <b>2x1.25x0.9mm, 6 LEAD,</b> <b>0.65mm PITCH</b>		
ENGR. CHK.	RANDALL WALBERG	06/07/2007			
PROJECTION	MM	SCALE	SIZE	DRAWING NUMBER	REV
		NTS	B	(SC)MKT-MAA06A	B
FORMERLY: N/A			SHEET 1 of 1		