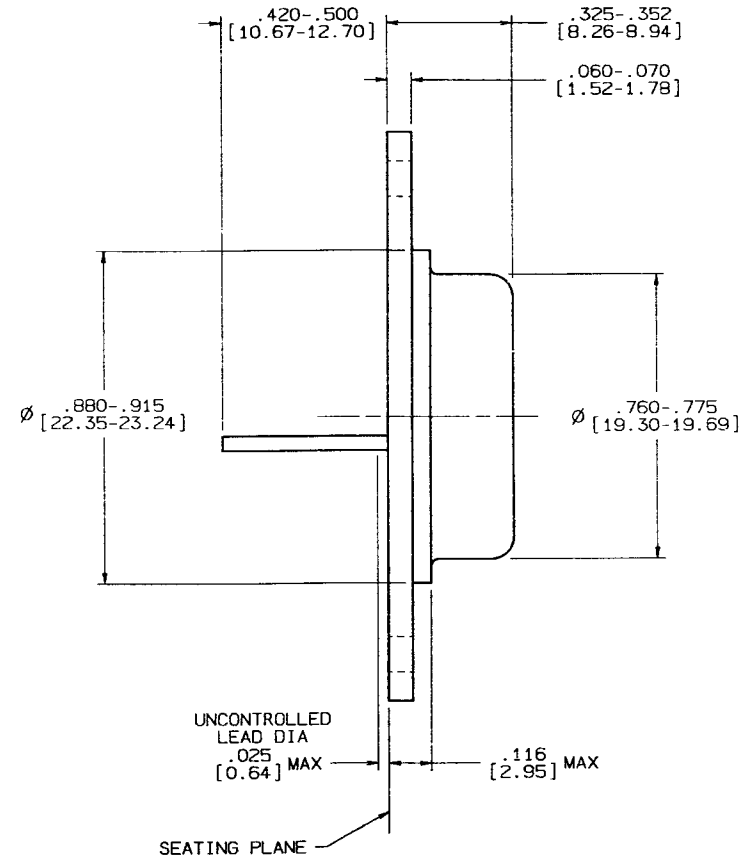
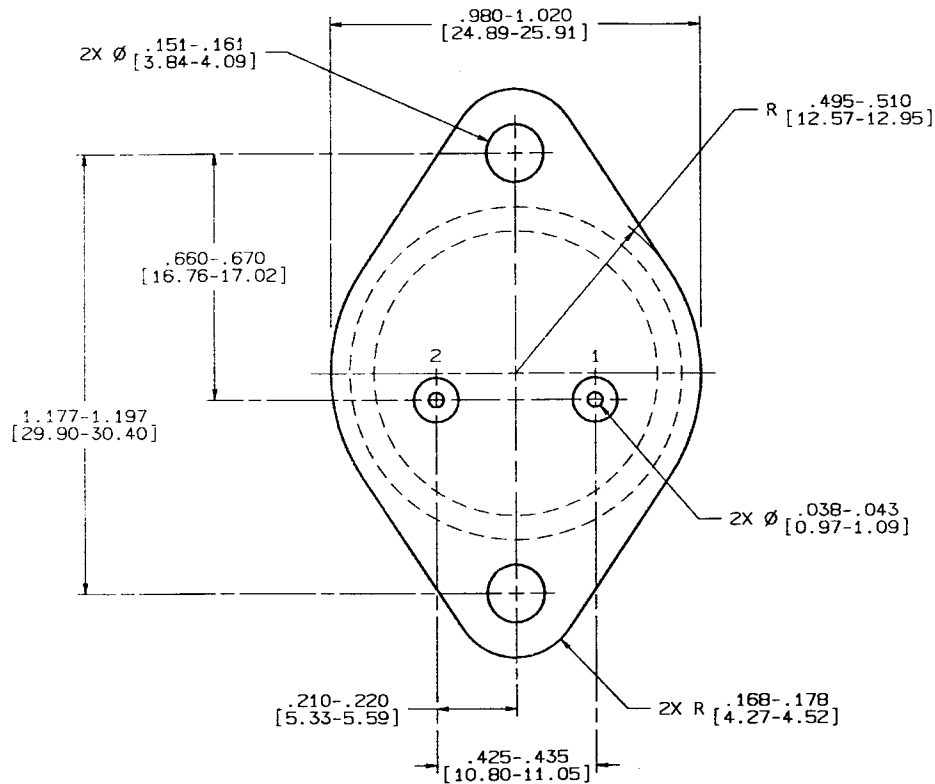


REVISIONS				
LTR	DESCRIPTION	E.C.N.	DATE	BY/APP'D
A	RELEASE TO DOCUMENT CONTROL	C7827	04/05/90	TL/UH
B	REVISE TITLE & NOTE 1; ADD NOTE 3 & CONT DIM: .420-.500 WAS .420-.480	08826	10/18/91	TL/zt



NOTES: UNLESS OTHERWISE SPECIFIED

1. STANDARD HEADER TYPE SOLID BASE WITH ELECTROLESS Ni PLATING.
2. STANDARD LEAD FINISH. SOLDER COAT OVER NICKEL PLATED ALLOY 52 OR EQUIVALENT.
3. DIMENSIONS BASED ON JEDEC STANDARD TO-3 PUBLICATION 95, PAGE 98.

CONTROLLING DIMENSION: INCH				
APPROVALS	DATE	NATIONAL SEMICONDUCTOR CORPORATION		
DRAWN F. LEQUANG	04/05/90	2900 Semiconductor Drive, Santa Clara, CA 95052-8090		
DTG. CHK. M. A. G. (ul)	10/18/91	METAL CAN(KC), TO-3, 2 LEAD, E'LESS Ni, WITHOUT MOLY		
ENGR. CHK. B. G. (ul)	10/18/91			
APPROVAL		SCALE N/A	SIZE C	DRAWING NUMBER MKT-KC02B
		FORMERLY: N/A	REV B	
		SHEET 1 OF 1		