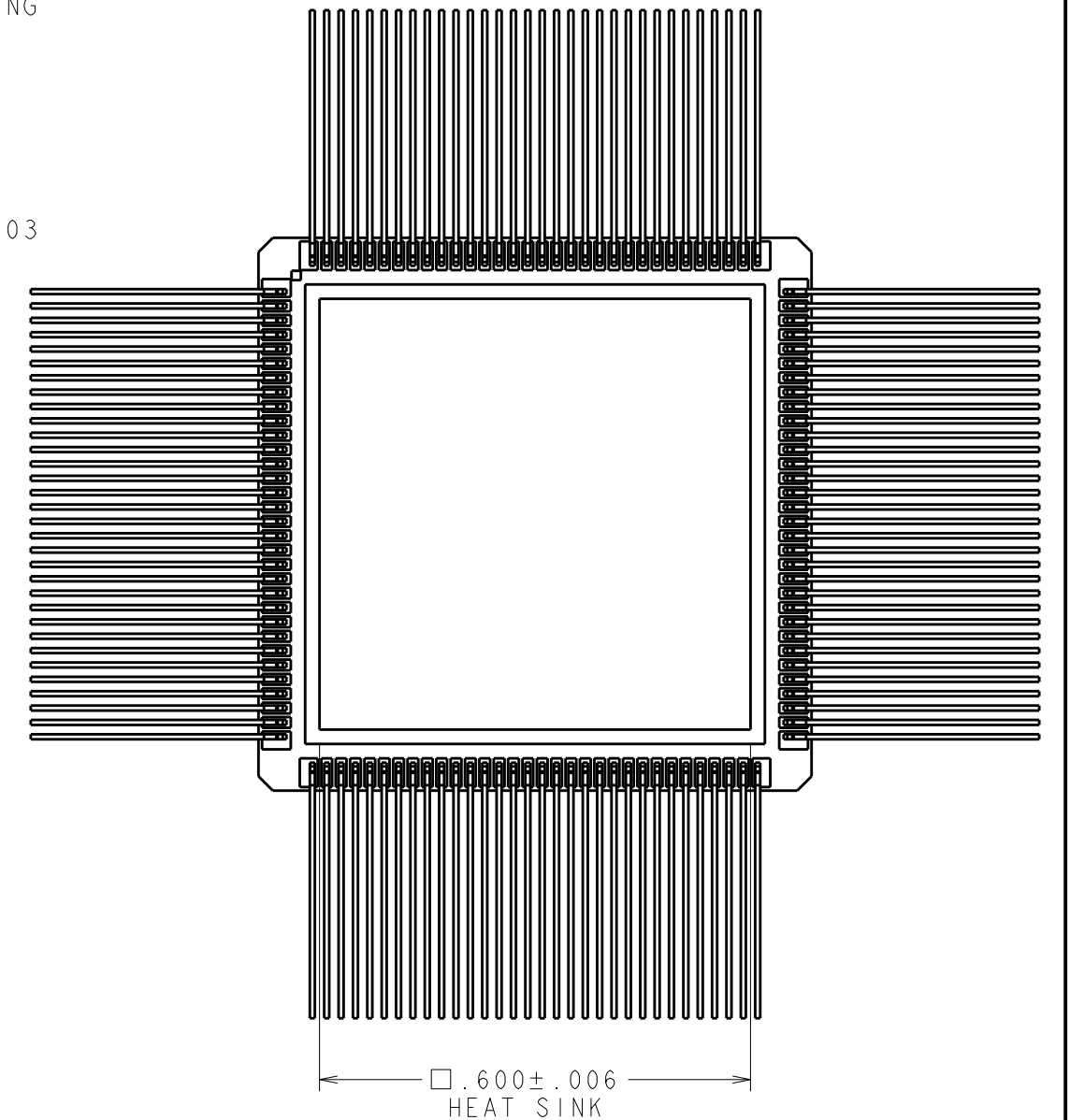
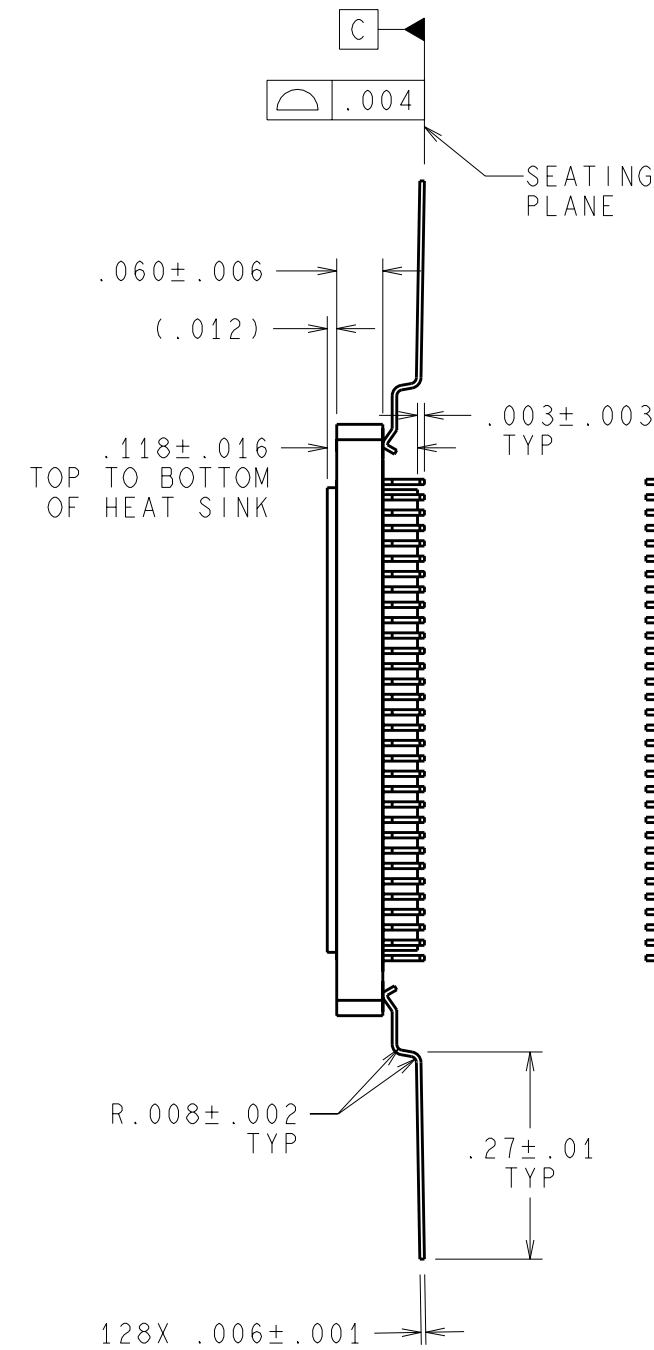
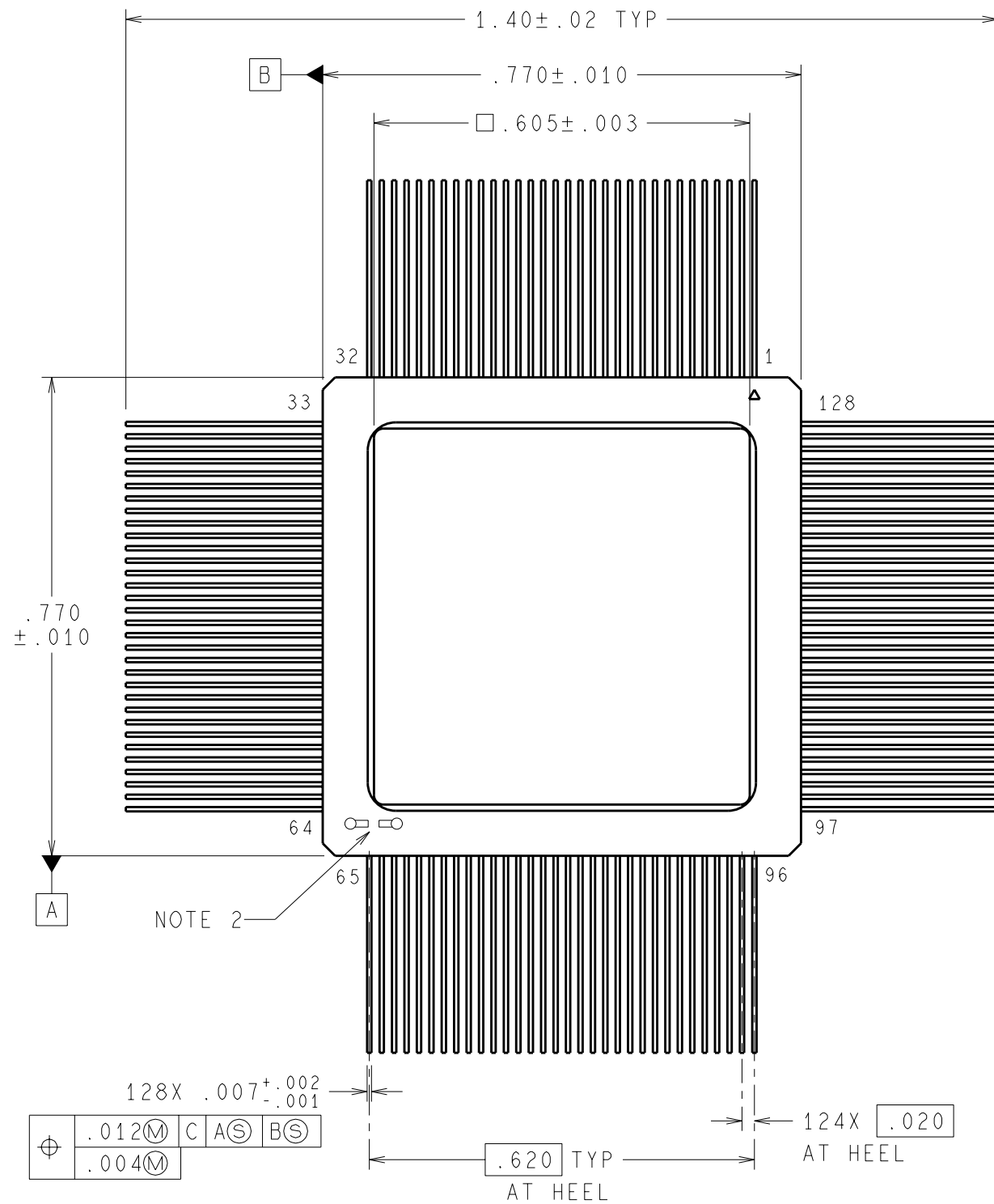


REVISIONS				
REV	DESCRIPTION	E.C.N.	DATE	BY/APP'D
A	RELEASE TO DOCUMENT CONTROL	2018	02/15/2006	TL/JL
B	ADD CONTACT MARK & NEW NOTE 2; RENUMBER NOTES	2425	12/19/2007	TL/JL



NOTES: UNLESS OTHERWISE SPECIFIED

- ALL EXPOSED METAL AND METALIZED AREAS TO BE PLATED 100 MICROINCHES MINIMUM GOLD OVER 100 TO 350 MICROINCHES NICKEL.
- PROBE CONTACT MARK ON CUTTING PATTERN TO BE ACCEPTABLE. CUT AFTER GOLD PLATING (VISUAL SPEC NOT APPLIED).
- NO JEDEC REGISTRATION AS OF DECEMBER 2007.

**DIMENSIONS ARE IN INCHES**  
DIMENSIONS IN ( ) FOR REFERENCE ONLY

**MIL-PRF-38535**  
**CONFIGURATION CONTROL**

APPROVALS	DATE	National Semiconductor	
DRAWN T. LEQUANG	02/15/2006	2900 Semiconductor Dr., Santa Clara, CA 95052-8090	
DFTG. CHK. KURT SINCERBOX	12/19/2007	<b>CERAMIC QUAD GULLWING PKG,</b> <b>.770x.770x.118in,</b> <b>128 LD, .020in PITCH</b>	
ENGR. CHK. JOE LUNDY	12/19/2007		
PROJECTION	SCALE	SIZE	DRAWING NUMBER
1st ANGLE	NTS	B	(SC)MKT-EM128A
FORMERLY: N/A	FORMERLY: N/A	FORMERLY: N/A	FORMERLY: N/A