

Surface Mount - Tape & Reel

General Description

Tape-and-Reel is one of the primary methods for shipping surface mount devices. This system simplifies the handling of semiconductors for automated circuit board assembly systems. Tape-and-Reel holds hundreds-to-thousands of surface mount devices so that pick-and-place machines have to be reloaded less frequently.

Features

- The reel is made of polystyrene (PS) plastic material and topically coated with antistatic solution.
- The carrier tape is made of standard polycarbonate or polystyrene materials.
- The cover tape is made of polyester material.
- The cover tape uses pressure sensitive or heat activated adhesive.
- Fully compliant to EIA-481 electronics industry standard except for 128Ld and 144Ld QFP package types.
- Meets European standard IEC 60286-3 PACKAGING OF COMPONENTS FOR AUTOMATIC HANDLING PART 3: PACKAGING OF SURFACE MOUNT COMPONENTS ON CONTINUOUS TAPES.

- Product is shipped in either 7-inch or 13-inch reels, depending on package/product types.

NOTE: Please check with your National local representative for details specific to your product needs.

Cover Tape Peel Strength

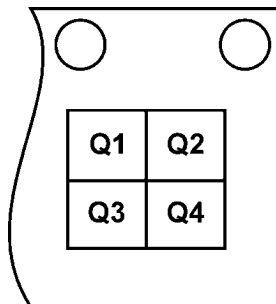
The force required to peel off the cover tape from the carrier tape will fall within the range of 0.1 Newton to 1.3 Newton (10 grams to 130 grams) at a peeling speed to 300 mm per minute. This complies with the EIA standard.

Electrostatic Charges

National Semiconductor uses only static dissipative tape-and-reel materials (surface resistivity of 10^5 to $10^{12} \Omega$ to avoid damaging static charges building up during the peeling off of the cover tape prior to pick and place. National Semiconductor ran extensive evaluations on cover tape materials and found that static charge build up was very low (less than 200 volts) on static dissipative cover tapes. In comparison, commonly used insulative cover tapes had readings consistently in excess of 3000 volts.

For All Package Types

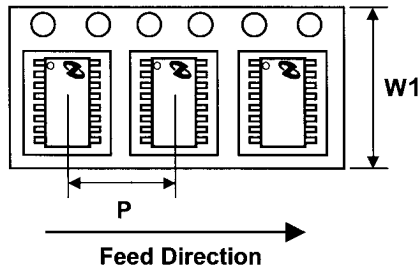
For all Package Types			
Overall Hub Length (mm)		Overall Leader Length (mm)	
300 minimum	740 maximum	500 minimum	1200 maximum



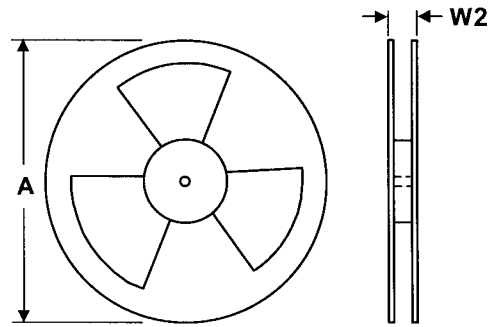
20016419

FIGURE 1. Pin 1 Orientation

MINI SOIC, SOIC, SSOP, TSSOP and PSOP



20016401



20016402

Package Type Lead Count	MKT- Outline Drawing	Tape Size W1 (mm)	Pocket Pitch P(mm)	Pin 1 Quadrant <i>Figure 1</i>	Units per Reel	Reel Size A (inches)	Reel Width W2 (mm)
MINI SOIC							
8 Ld	MUA08A	12	8	Q1	VP/1000/3500	7/13	18/18.4
	MUY08A						
10 Ld	MUB10A	12	8	Q1	VP/1000/3500	7/13	18/18.4
	MUC10A						

Ordering Instruction for 1000 units/reel: no Suffix, Example: LMH6612MM
 Ordering Instruction for 3500 units/reel: use Suffix 'X'. Example: LMH6612MMX
 For smaller Value Pack (VP) please contact your local NSC representative

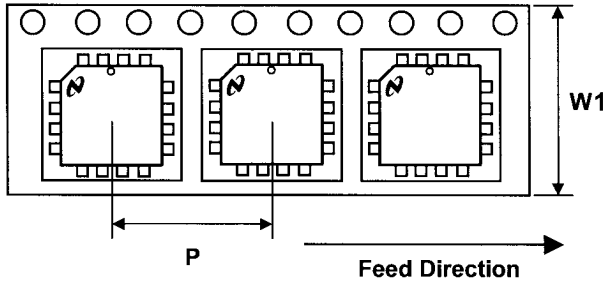
SOIC							
8 Ld (Narrow)	M08A	12	8	Q1	VP/2500	7/13	18/18.4
14 Ld (Narrow)	M14A	16	8	Q1	VP/2500	7/13	22.4
16 Ld (Narrow)	M16A	16	8	Q1	VP/2500	7/13	22.4
14 Ld (Wide)	M14B	16	12	Q1	1000	13	22.4
16 Ld (Wide)	M16B	16	12	Q1	1000	13	22.4
20 Ld (Wide)	M20B	24	12	Q1	1000	13	30.4
24 Ld (Wide)	M24B	24	12	Q1	1000	13	30.4
28 Ld (Wide)	M28B	24	12	Q1	1000	13	30.4

Note: Standard Packing Option is Rail.
 Wide Ordering Instruction for 1000 units/reel: use Suffix "X". Example: ADC0831CCWMX
 Narrow Ordering Instruction for 2500 units/reel: use Suffix 'X'. Example: LMP2231BMAX
 For smaller Value Pack (VP) please contact your local NSC representative

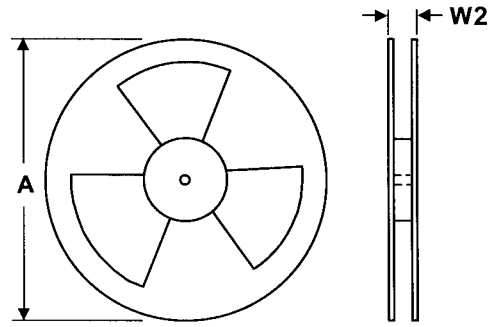
TSSOP							
14 Ld	MTC14	12	8	Q1	VP/2500	7/13	18/18.4
	MXA14A						
16 Ld	MTC16	12	8	Q1	VP/2500	7/13	18/18.4
	MXA16A						
20 Ld	MTC20	16	8	Q1	VP/2500	7/13	22.4
	MXA20A						
24 Ld	MTC24	16	8	Q1	VP/2500	7/13	22.4
28 Ld	MTC28	16	8	Q1	VP/2500	7/13	22.4
	MXA28A						
48 Ld	MTD48	24	12	Q1	1000	13	30.4
56 Ld	MTD56	24	12	Q1	1000	13	30.4
64 Ld	MXD64A	24	12	Q1	1000	13	30.4

Package Type Lead Count	MKT- Outline Drawing	Tape Size W1 (mm)	Pocket Pitch P(mm)	Pin 1 Quadrant <i>Figure 1</i>	Units per Reel	Reel Size A (inches)	Reel Width W2 (mm)
<p>Note: Standard Packing Option is Rail. Ordering Instruction for 1000 units/reel: use Suffix "X". Example: LM8207MTX Ordering Instruction for 2500 units/reel: use Suffix 'X'. Example: LMP2234BMTX For smaller Value Pack (VP) please contact your local NSC representative</p>							
10 Ld	MXF10A	12	8	Q1	VP/ 1000/35000	7/13	18/18.4
<p>Ordering Instruction for 1000 units/reel: no Suffix, Example: LM4990MH Ordering Instruction for 3500 units/reel: use Suffix "X". Example: LM4990MHX For smaller Value Pack (VP) please contact your local NSC representative</p>							
SSOP-JEDEC							
16 Ld	MQA16	16	8	Q1	2500	13	22.4
24 Ld	MQA24	16	8	Q1	2500	13	22.4
48 Ld	MS48A	32	16	Q1	1000	13	38.4
<p>Note: Standard Packing Option is Rail. For Tape & Reel Packing use Suffix 'X'. Example: LM82CIMQAX</p>							
SSOP-EIAJ							
20 Ld	MSA20	16	12	Q1	2000	13	22.4
24 Ld	MSA24	16	12	Q1	2000	13	22.4
28 Ld	MSA28	16	12	Q1	2000	13	22.4
<p>Note: Standard Packing Option is Rail. For Tape & Reel Packing use Suffix 'X'. Example: DSP92LV1212AMSAX</p>							
PSOP							
8 Ld	MRA08A	12	8	Q1	VP/2500	7/13	18/18.4
	MRA08B						
<p>Note: Standard Packing Option is Rail. Ordering Instruction for 2500 units/reel: use Suffix 'X'. Example: LP2998MRX Ordering Instruction for 250 units/reel: use Suffix 'E'. Example: LP2998MRE For smaller Value Pack (VP) please contact your local NSC representative</p>							

PLCC



20016403

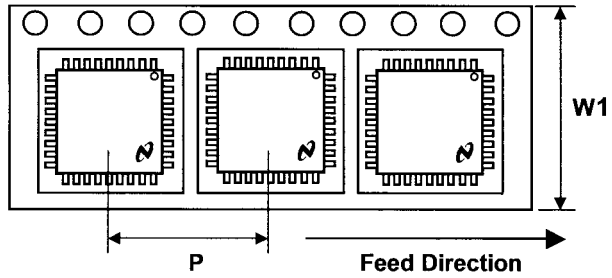


20016402

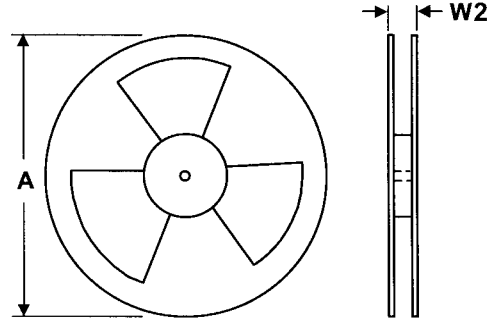
Package Type Lead Count	MKT- Outline Drawing	Tape Size W1 (mm)	Pocket Pitch P(mm)	Pin 1 Quadrant <i>Figure 1</i>	Units per Reel	Reel Size A (inches)	Reel Width W2 (mm)
PLCC							
20 Ld	V20A	16	12	Q1/Q2	1000	13	22.4
28 Ld	V28A	24	16	Q1/Q2	750	13	30.4
44 Ld	V44A	32	24	Q1/Q2	500	13	38.4
68 Ld	V68A	44	32	Q1/Q2	250	13	50.4
84 Ld	V84A	44	36	Q1/Q2	250	13	50.4

Standard Packing Option is Rail.
For Tape & Reel Packing please contact your local NSC representative.

PQFP, LQFP and TQFP



20016404



20016402

Package Type Lead Count	MKT- Outline Drawing	Tape Size W1 (mm)	Pocket Pitch P(mm)	Pin 1 Quadrant <i>Figure 1</i>	Units per Reel	Reel Size A (inches)	Reel Width W2 (mm)
----------------------------	-------------------------	----------------------	-----------------------	--------------------------------------	----------------	-------------------------	-----------------------

PQFP

80 Ld	VJE80A	32	24	Q2	500	13	38.4
-------	--------	----	----	----	-----	----	------

Standard Packing Option is Tray.

For Tape & Reel Packing please contact your local NSC representative.

LQFP

32 Ld	VBE32A	16	12	Q2	1000	13	22.4
44 Ld	VEJ44A	24	16	Q2	1000	13	30.4
48 Ld	VBH48A	16	12	Q2	1000	13	22.4
	VXH48A						
64 Ld	VEH64A	24	16	Q2	1000	13	30.4
80 Ld	VHG80A	24	16	Q2	1000	13	30.4
100 Ld	VJG100A	32	24	Q2	1000	13	38.4
128 Ld	VLB128A	44	24	Q1	500	13	50.4
144 Ld	VNG144A	44	32	Q1	500	13	50.4
144 Ld	VNG144C	44	32	Q2	500	13	50.4

Note: Standard Packing Option is Tray.

For Tape & Reel Packing use Suffix 'X'. Example: ADC12040CIVYX

TQFP

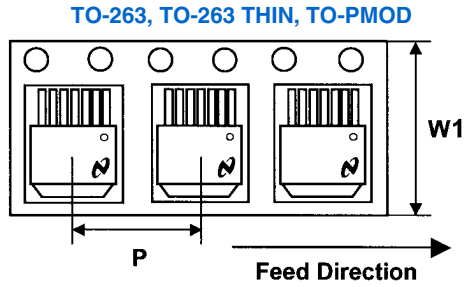
48 Ld	VBC48A	16	12	Q2	1000	13	22.4
64 Ld	VEC64A	24	16	Q2	1000	13	30.4
80 Ld	VHB80A	24	20	Q2	1000	13	30.4
100 Ld	VJD100A	32	24	Q2	1000	13	38.4

Note: Standard Packing Option is Tray.

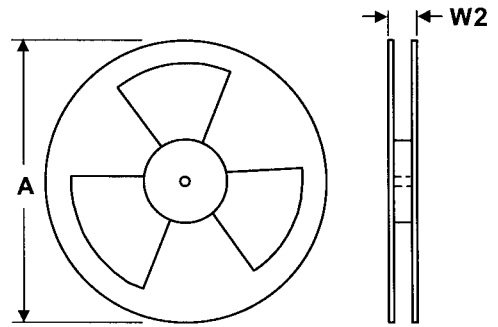
For Tape & Reel Packing use Suffix 'X'. Example: DS90CF388VJDX

Note 1: Exposed Heatsink

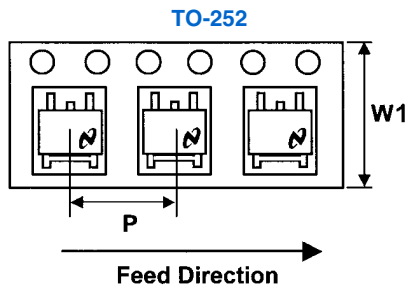
TO-263, TO-263 THIN, TO-PMOD and TO-252



20016406



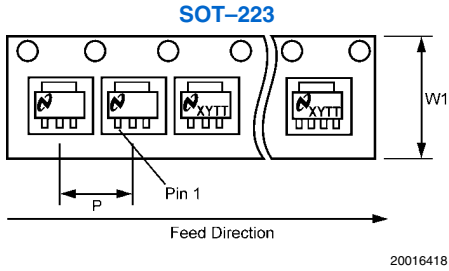
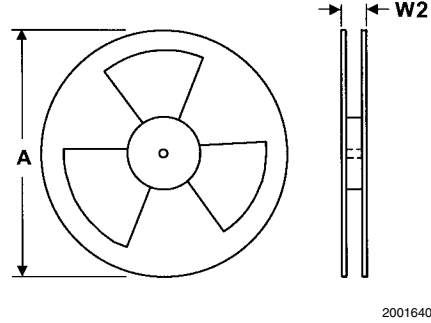
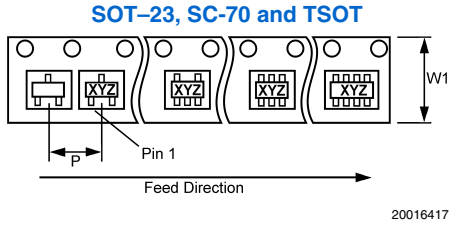
20016402



20016408

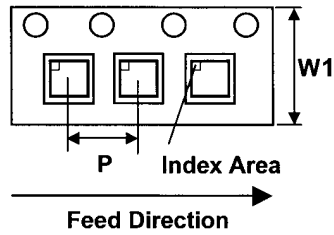
Package Type Lead Count	MKT- Outline Drawing	Tape Size W1 (mm)	Pocket Pitch P(mm)	Pin 1 Quadrant <i>Figure 1</i>	Units per Reel	Reel Size A (inches)	Reel Width W2 (mm)
TO-263							
3 Ld	TS3B	24	16	Q2	500	13	30.4
5 Ld	TS5B	24	16	Q2	500	13	30.4
7 Ld	TS7B	24	16	Q2	500	13	30.4
9 Ld	TS9A	24	16	Q2	500	13	30.4
Note: Standard Packing Option is Rail. For Tape & Reel Packing use Suffix 'X'. Example: LP2954AISX							
TO-263 THIN							
3 Ld	TJ3A	24	12	Q2	1000	13	30.4
5 Ld	TJ5A	24	12	Q2	1000	13	30.4
7 Ld	TJ7A	24	12	Q2	VP/1000	7/13	30.4
9 Ld	TJ9A	24	12	Q2	1000	13	30.4
Ordering Instruction for 1000 units/reel: no Suffix, Example: LM22670TJ-5.0 For smaller Value Pack (VP) please contact your local NSC representative							
TO-252							
3 Ld	TD03B	16	8	Q2	2500	13	22.4
Note: Standard Packing Option is Rail. For Tape & Reel Packing use Suffix 'X'. Example: LM1117DTX-ADJ							
TO-PMOD							
7 Ld	TZA07A	24	16	Q2	250/500	13	30.4
Ordering Instruction for 250 units/reel: no Suffix, Example: LMZ10504TZ-ADJ Ordering Instruction for 500 units/reel: use Suffix "X". Example: LMZ10504TZX-ADJ							
11 Ld	TZA11A	32	20	Q2	250	13	39.2
Ordering Instruction for 250 units/reel: use Suffix "E", Example: LMZ12008TZE							

SOT-23, SOT-223, SC-70 and TSOT

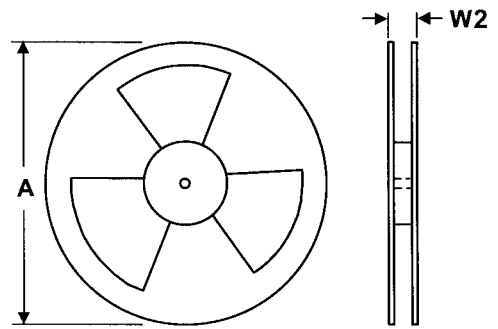


Package Type Lead Count	MKT- Outline Drawing	Tape Size W1 (mm)	Pocket Pitch P(mm)	Pin 1 Quadrant <i>Figure 1</i>	Units per Reel	Reel Size A (inches)	Reel Width W2 (mm)
SOT-23							
3 Ld	MF03A	8	4	Q3	1000/3000	7	14.4
5 Ld	MF05A	8	4	Q3	VP/1000/3000	7	14.4
6 Ld	MF06A	8	4	Q3	VP/1000/3000	7	14.4
8 Ld	MF08A	8	4	Q3	1000/3500	7/13	18/18.4
Ordering Instruction for 1000 units/reel: no Suffix "X". Example: DS90LV011AQMF Ordering Instruction for 3000 units/reel: use Suffix "X". Example: DS90LV011AQMFX For smaller Value Pack (VP) please contact your local NSC representative							
SC-70							
5 Ld	MAA05A	8	4	Q3	VP/1000/3000	7	14.4
6 Ld	MAA06A	8	4	Q3	1000/3000	7	14.4
Ordering Instruction for 1000 units/reel: no Suffix "X". Example: LMV851MG Ordering Instruction for 3000 units/reel: use Suffix "X". Example: LMV851MGX For smaller Value Pack (VP) please contact your local NSC representative							
SOT-223							
4 Ld	MP04A	16	12	Q3	1000/2000	13	22.4
5 Ld	MP05A	16	12	Q3	1000/2000	13	22.4
Ordering Instruction for 1000 units/reel: no Suffix 'X'. Example: LM317AEMP For 2000 units/reel use Suffix 'X'. Example: LM317AEMPX							
TSOT							
6 Ld	MK06A	8	4	Q3	VP/1000/3000	7	14.4
Ordering Instruction for 1000 units/reel: no Suffix "X". Example: LM2734XQMK Ordering Instruction for 3000 units/reel: use Suffix "X". Example: LM2734XQMKE For smaller Value Pack (VP) please contact your local NSC representative							

Micro SMD, Micro SMDxt, Micro Array and POS

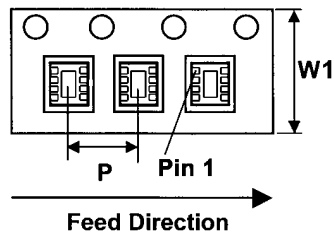


20016414



20016402

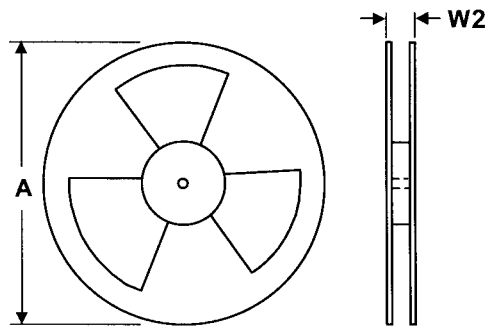
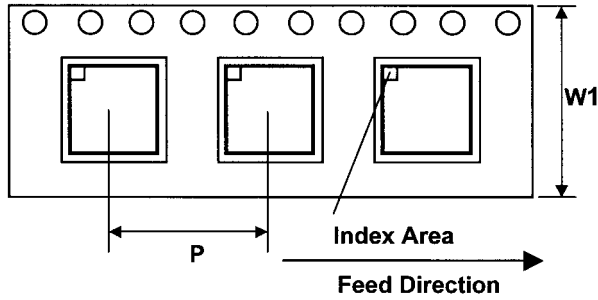
Package on Substrate (POS)



20016420

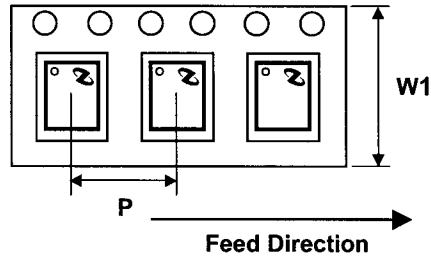
Package Type Lead Count	MKT- Outline Drawing	Tape Size W1 (mm)	Pocket Pitch P(mm)	Pin 1 Quadrant <i>Figure 1</i>	Units per Reel	Reel Size A (inches)	Reel Width W2 (mm)
Micro SMD							
All Micro SMD ≤36 bumps		8	4	Q1	250/3000	7	14.4
Ordering Instruction for 250 units/reel: No Suffix 'X'. Example: LM3206TL For 3000 units/reel use Suffix 'X'. Example: LM3206TLX							
Micro SMDxt							
All Micro SMDxt		12	8	Q1	250/1000	7	18
Ordering Instruction for 250 units/reel: No Suffix 'X'. Example: LM4934RL For 1000 units/reel use Suffix 'X'. Example: LM4934RLX							
Micro Array							
25 bumps	GRA25A	12	8	Q1	VP/ 1000/35000	7/13	18/18.4
36 bumps	GRA36A	12	8	Q1	1000/3500	7/13	18/18.4
49 bumps	GRA49A	12	8	Q1	1000/3500	7/13	18/18.4
Ordering Instruction for 1000 units/reel: no Suffix "X". Example: LMH0307GR Ordering Instruction for 3000 units/reel: use Suffix "X". Example: LMH0307GRX For smaller Value Pack (VP) please contact your local NSC representative							
Package on Substrate (POS)							
8 Ld	SE08A	12	8	Q1	250/3000	7/13	18/18.4
Ordering Instruction for 250 units/reel: use Suffix "E". Example: LM3218SEE Ordering Instruction for 3000 units/reel: use Suffix "X". Example: LM3218SEX							

FBGA, TFBGA, UFBGA, LBGA and LTCC

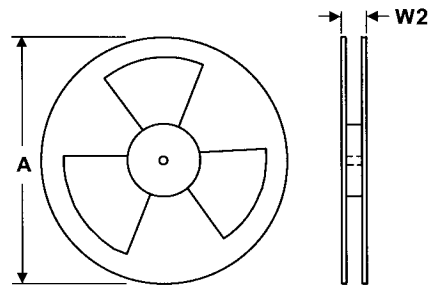


Package Type Lead Count	MKT- Outline Drawing	Tape Size W1 (mm)	Pocket Pitch P(mm)	Pin 1 Quadrant <i>Figure 1</i>	Units per Reel	Reel Size A (inches)	Reel Width W2 (mm)
FBGA							
49 Bumps	SLC49A	16	12	Q1	2000	13	22.4
64 Bumps	SLC64A	16	12	Q1	2000	13	22.4
81 Bumps	SLC81A	16	12	Q1	2000	13	22.4
100 Bumps	SLC100A	24	16	Q1	1000	13	30.4
Standard Packing Option is Tray. For Tape & Reel Packing use Suffix 'X'. Example: SCANSTA111SMX							
TFBGA							
60 Bumps	SLF60A	16	8	Q2	2500	13	22.4
Standard Packing Option is Tray. For Tape & Reel Packing use Suffix 'X'. Example: LMX9830SMX							
UFBGA							
49 Bumps	SLH49A	12	8	Q1	1000/4500	7/13	18/18.4
Ordering Instruction for 1000 units/reel: No Suffix 'X'. Example: LM2502SM For 4500 units/reel use Suffix 'X'. Example: LM2502SMX							
LBGA							
196 Bumps	UJB196A	24	20	Q1	1000	13	30.4
Standard Packing Option is Tray. For Tape & Reel Packing use Suffix 'X'. Example: SCAN926260TUFX							
LTCC							
70 Bumps	SB70A	32	16	Q1	1000	13	38.4
Standard Packing Option is Tray. For Tape & Reel Packing use Suffix 'X'. Example: LMX9838SBX							

Laminated CSP, Laminate TCSP and LLP



20016416



20016402

Package Type Lead Count (Lead Pitch)	MKT- Outline Drawing	Tape Size W1 (mm)	Pocket Pitch P(mm)	Pin 1 Quadrant <i>Figure 1</i>	Units per Reel	Reel Size A (inches)	Reel Width W2 (mm)
--	-------------------------	----------------------	-----------------------	--------------------------------------	----------------	-------------------------	-----------------------

Laminate CSP

16 Ld	SLB16A	12	8	Q1	2500	13	18.4
24 Ld	SLB24A	12	8	Q1	2500	13	18.4
28 Ld	SLB28A	12	8	Q1	250/2500	7/13	18/18.4
48 Ld	SLB48A	16	12	Q1	250/2500	7/13	22.4

Standard Packing Option is Tape & Reel with Suffix 'X'.

Example: LMV2401SLBX

Laminate TCSP

20 Ld	SLE20A	12	8	Q1	2500	13	18.4
24 Ld	SLD24A	12	8	Q1	2500	13	18.4
	SLE24A						
32 Ld	SLD32A	12	8	Q1	1000/2500	7/13	18/18.4

Ordering Instruction for smaller quantities: no Suffix 'X'. Example: LP3936SL

For larger quantities use Suffix 'X'. Example: LP3936SLX

Pullback LLP-Dual

6 Ld	LDB06A	12	8	Q1	VP/1000/4500	7/13	18/18.4
	LDE06A						
	LDC06D						
	LEB06A						
8 Ld	LDA08A	12	8	Q1	VP/1000/4500	7/13	18/18.4
	LDC08A						
	LDA08B						
	LDA08C						
	YDA08A						
10 Ld	LDA10A	12	8	Q1	VP/1000/4500	7/13	18/18.4
	LDA10B						
14 Ld	LDA14A	12	8	Q1	VP/1000/4500	7/13	18/18.4
	LEE14A						
16 Ld	LDA16A	12	8	Q1	VP/1000/4500	7/13	18/18.4

Ordering Instruction for 1000 units/reel: no Suffix "X". Example: LMH6554LE

Ordering Instruction for 4500 units/reel: use Suffix "X". Example: LMH6554LEX

For smaller Value Pack (VP) please contact your local NSC representative

Pullback LLP-Quad

8 Ld	LQB08A	12	8	Q1	VP/1000/4500	7/13	18/18.4
16 Ld	LQA16A	12	8	Q1	VP/1000/4500	7/13	18/18.4

Package Type Lead Count (Lead Pitch)	MKT- Outline Drawing	Tape Size W1 (mm)	Pocket Pitch P(mm)	Pin 1 Quadrant <i>Figure 1</i>	Units per Reel	Reel Size A (inches)	Reel Width W2 (mm)
20 Ld	LQA20A	12	8	Q1	VP/1000/4500	7/13	18/18.4
24 Ld	LQA24A	12	8	Q1	VP/1000/4500	7/13	18/18.4
	YQA24A						
28 Ld	LQA28A	12	8	Q1	VP/1000/4500	7/13	18/18.4
32 Ld	LQA32A	16	12	Q1	250/2500	7/13	22.4
36 Ld	LQA36A	16	12	Q1	250/2500	7/13	22.4
44 Ld	LQA44A	16	12	Q1	250/2500	7/13	22.4
Ordering Instruction for smaller quantities: no Suffix 'X'. Example: LM2647LQ							
For larger quantities use Suffix 'X'. Example: LM2647LQX							
For smaller Value Pack (VP) please contact your local NSC representative							
56 Ld	LQA56A	16	12	Q1	2000	13	22.4
Standard Packing Option is Tray.							
For Tape & Reel Packing please contact your local NSC representative.							
No Pullback LLP							
6 Ld	LCA06B	12	8	Q1	VP/1000/4500	7/13	18/18.4
	SDB06A						
	SDE06A						
8 Ld	SDA08A	12	8	Q1	VP/1000/4500	7/13	18/18.4
	SDA08B						
	SDA08C						
	SDC08A						
	SDC08B						
10 Ld	SDA10A	12	8	Q1	VP/1000/4500	7/13	18/18.4
	SDC10A						
12 Ld	SDF12A	12	8	Q1	VP/1000/4500	7/13	18/18.4
14 Ld	SDA14A	12	8	Q1	VP/1000/4500	7/13	18/18.4
	SDA14B						
14 Ld	SRC14A	16	12	Q1	250/2500	7/13	22.4
16 Ld	SDA16A	12	8	Q1	VP/1000/4500	7/13	18/18.4
	SDA16B						
	SQA16A						
	SQB16A						
20 Ld	SPF20A	12	8	Q1	VP/1000/4500	7/13	18/18.4
24 Ld	SQA24A	12	8	Q1	VP/1000/4500	7/13	18/18.4
	SQA24B						
	SQA24C						
28 Ld	SPA28A	12	8	Q1	VP/1000/4500	7/13	18/18.4
	SQA28A						
32 Ld	SQA32A	12	8	Q1	VP/1000/4500	7/13	18/18.4
36 Ld	SQA36A	16	12	Q1	250/2500	7/13	22.4
40 Ld	SQF40A	12	8	Q1	1000/4500	7/13	18/18.4
	SNA40A	16	12	Q1	250/2500	7/13	22.4
	SQA40A	16	12	Q1	250/2500	7/13	22.4
	SQA40B	16	12	Q1	250/2500	7/13	22.4
48 Ld	SPA48A	16	12	Q1	250/2500	7/13	22.4
	SQA48A						
	SQA48D						
	SQF48A						
60 Ld	SQA60A	16	12	Q1	VP/1000/2500	7/13	14.4/22.4

Package Type Lead Count (Lead Pitch)	MKT- Outline Drawing	Tape Size W1 (mm)	Pocket Pitch P(mm)	Pin 1 Quadrant <i>Figure 1</i>	Units per Reel	Reel Size A (inches)	Reel Width W2 (mm)
64 Ld	SQA64A	16	12	Q1	250/2500	7/13	22.4

Ordering Instruction for smaller quantities: no Suffix 'X'. Example: LM71CISD
 For larger quantities use Suffix 'X'. Example: LM71CISDX
 For smaller Value Pack (VP) please contact your local NSC representative

Notes

For more National Semiconductor product information and proven design tools, visit the following Web sites at:
www.national.com

Products		Design Support	
Amplifiers	www.national.com/amplifiers	WEBENCH® Tools	www.national.com/webench
Audio	www.national.com/audio	App Notes	www.national.com/appnotes
Clock and Timing	www.national.com/timing	Reference Designs	www.national.com/refdesigns
Data Converters	www.national.com/adc	Samples	www.national.com/samples
Interface	www.national.com/interface	Eval Boards	www.national.com/evalboards
LVDS	www.national.com/lvds	Packaging	www.national.com/packaging
Power Management	www.national.com/power	Green Compliance	www.national.com/quality/green
Switching Regulators	www.national.com/switchers	Distributors	www.national.com/contacts
LDOs	www.national.com/ldo	Quality and Reliability	www.national.com/quality
LED Lighting	www.national.com/led	Feedback/Support	www.national.com/feedback
Voltage References	www.national.com/vref	Design Made Easy	www.national.com/easy
PowerWise® Solutions	www.national.com/powerwise	Applications & Markets	www.national.com/solutions
Serial Digital Interface (SDI)	www.national.com/sdi	Mil/Aero	www.national.com/milaero
Temperature Sensors	www.national.com/tempensors	SolarMagic™	www.national.com/solarmagic
PLL/VCO	www.national.com/wireless	PowerWise® Design University	www.national.com/training

THE CONTENTS OF THIS DOCUMENT ARE PROVIDED IN CONNECTION WITH NATIONAL SEMICONDUCTOR CORPORATION ("NATIONAL") PRODUCTS. NATIONAL MAKES NO REPRESENTATIONS OR WARRANTIES WITH RESPECT TO THE ACCURACY OR COMPLETENESS OF THE CONTENTS OF THIS PUBLICATION AND RESERVES THE RIGHT TO MAKE CHANGES TO SPECIFICATIONS AND PRODUCT DESCRIPTIONS AT ANY TIME WITHOUT NOTICE. NO LICENSE, WHETHER EXPRESS, IMPLIED, ARISING BY ESTOPPEL OR OTHERWISE, TO ANY INTELLECTUAL PROPERTY RIGHTS IS GRANTED BY THIS DOCUMENT.

TESTING AND OTHER QUALITY CONTROLS ARE USED TO THE EXTENT NATIONAL DEEMS NECESSARY TO SUPPORT NATIONAL'S PRODUCT WARRANTY. EXCEPT WHERE MANDATED BY GOVERNMENT REQUIREMENTS, TESTING OF ALL PARAMETERS OF EACH PRODUCT IS NOT NECESSARILY PERFORMED. NATIONAL ASSUMES NO LIABILITY FOR APPLICATIONS ASSISTANCE OR BUYER PRODUCT DESIGN. BUYERS ARE RESPONSIBLE FOR THEIR PRODUCTS AND APPLICATIONS USING NATIONAL COMPONENTS. PRIOR TO USING OR DISTRIBUTING ANY PRODUCTS THAT INCLUDE NATIONAL COMPONENTS, BUYERS SHOULD PROVIDE ADEQUATE DESIGN, TESTING AND OPERATING SAFEGUARDS.

EXCEPT AS PROVIDED IN NATIONAL'S TERMS AND CONDITIONS OF SALE FOR SUCH PRODUCTS, NATIONAL ASSUMES NO LIABILITY WHATSOEVER, AND NATIONAL DISCLAIMS ANY EXPRESS OR IMPLIED WARRANTY RELATING TO THE SALE AND/OR USE OF NATIONAL PRODUCTS INCLUDING LIABILITY OR WARRANTIES RELATING TO FITNESS FOR A PARTICULAR PURPOSE, MERCHANTABILITY, OR INFRINGEMENT OF ANY PATENT, COPYRIGHT OR OTHER INTELLECTUAL PROPERTY RIGHT.

LIFE SUPPORT POLICY

NATIONAL'S PRODUCTS ARE NOT AUTHORIZED FOR USE AS CRITICAL COMPONENTS IN LIFE SUPPORT DEVICES OR SYSTEMS WITHOUT THE EXPRESS PRIOR WRITTEN APPROVAL OF THE CHIEF EXECUTIVE OFFICER AND GENERAL COUNSEL OF NATIONAL SEMICONDUCTOR CORPORATION. As used herein:

Life support devices or systems are devices which (a) are intended for surgical implant into the body, or (b) support or sustain life and whose failure to perform when properly used in accordance with instructions for use provided in the labeling can be reasonably expected to result in a significant injury to the user. A critical component is any component in a life support device or system whose failure to perform can be reasonably expected to cause the failure of the life support device or system or to affect its safety or effectiveness.

National Semiconductor and the National Semiconductor logo are registered trademarks of National Semiconductor Corporation. All other brand or product names may be trademarks or registered trademarks of their respective holders.

Copyright© 2011 National Semiconductor Corporation

For the most current product information visit us at www.national.com



National Semiconductor Americas Technical Support Center
 Email: support@nsc.com
 Tel: 1-800-272-9959

National Semiconductor Europe Technical Support Center
 Email: europe.support@nsc.com

National Semiconductor Asia Pacific Technical Support Center
 Email: ap.support@nsc.com

National Semiconductor Japan Technical Support Center
 Email: jpn.feedback@nsc.com