

The CLC730121 evaluation board is designed to aid in the characterization of National's 8-pin Dual Op Amps in PSOP package. This board uses all surface-mount components for maximum speed and performance.

Figure 1 shows the schematic:

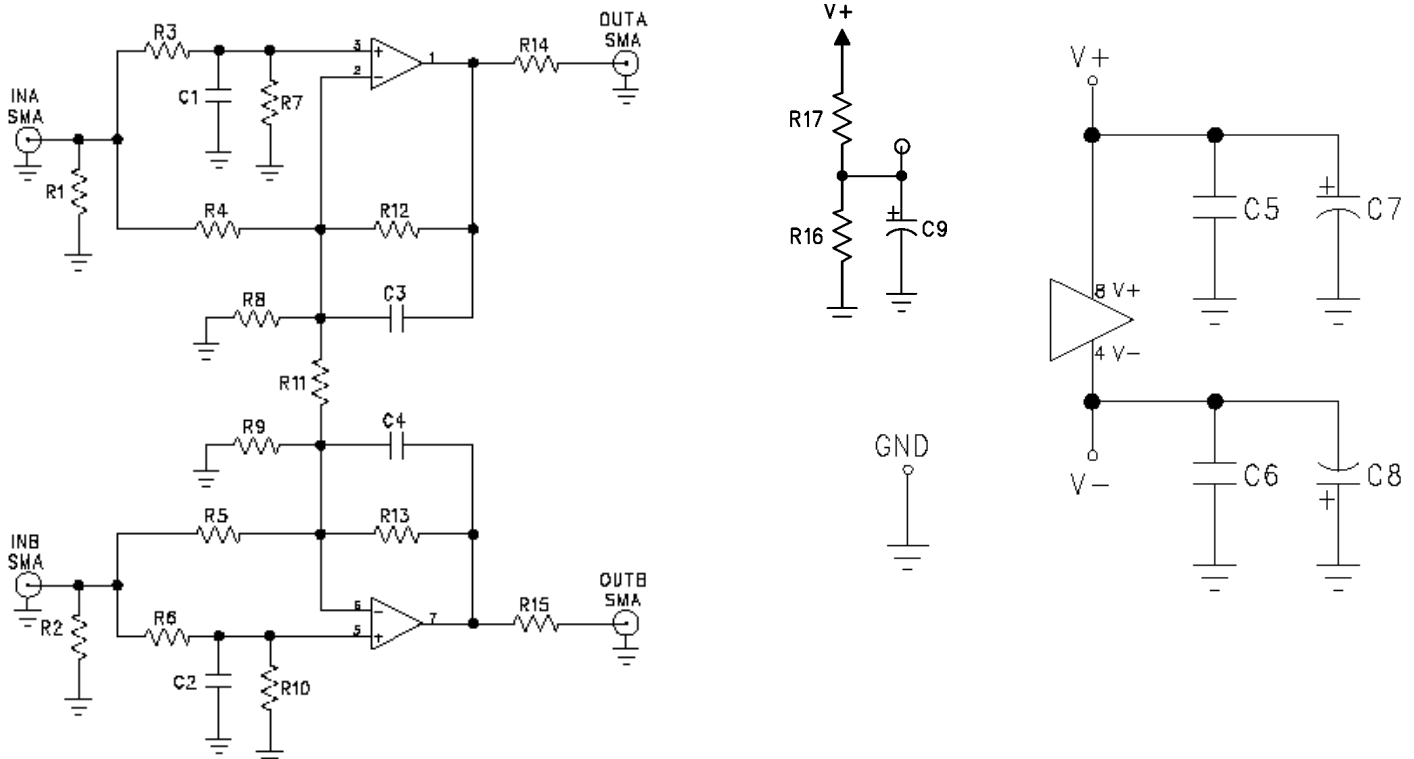


Figure 1: Complete Evaluation Board Schematic

This board is designed with versatility in mind; that is, by selective insertion of components, the device can be put into an Inverting, non-inverting, or differential configuration. In addition, single supply operation can be tested with simple board modifications (please see below).

Please note that R11 is installed on the circuit side of the board in order to minimize its lead lengths. C5-8 (4 places) are de-coupling caps essential to be installed for good high frequency behavior. 0.1 μ F and 6.8 μ F are good values in most cases. Note that C7-8 are polar caps. Use Tantalum capacitors for lowest ESR.

The CLC730121 evaluation board uses a thermally dissipating pad soldered to the exposed die attach paddle (DAP) of the device under test (DUT) to enable heat transfer out of the package. Normally this DAP would be soldered during manufacturing with a process like vapor phase. For lab evaluation, use a thermally conductive epoxy or thermal grease between the DAP and the board to help conduct heat out of the package.

SINGLE SUPPLY OPERATION:

In order to allow maximum flexibility, it is possible to test the Op Amp in a single supply arrangement as well. To do so, R16, R17, and C9 can be installed to form a "virtual ground" which would be tied to the non-inverting terminal as biasing. A convenient way to connect C9 (positive side) to the inputs is by performing the following:

1. Cut R7 and R10 connection to ground plane, on circuit side.
2. Install 0 Ω resistances for R7 and R10
3. Tie C9 (positive side) to the cut side of R7 and R10.

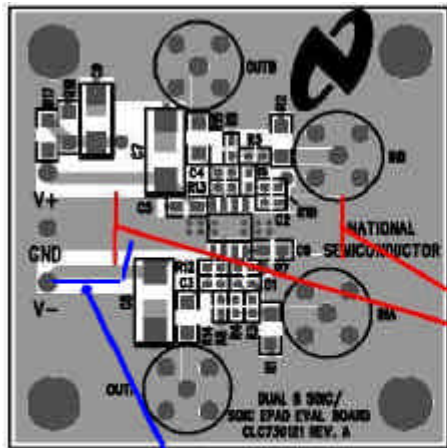
DAP Connection:

CLC730121 evaluation board can be used with two types of Op Amps:

- 1. Op Amp's with DAP internally floating. (no board change required)
- 2. Op Amp's with DAP internally tied to V⁻ (see below for modifications needed to the board)

CLC730121 DAP heatsink connection is tied to ground. With "type 2" devices listed above, it will be necessary to disconnect the DAP connection from ground and tie it to V⁻ instead (see instructions below). Consult the datasheet for each device for information on DAP connection and whether this modification is required for the particular device.

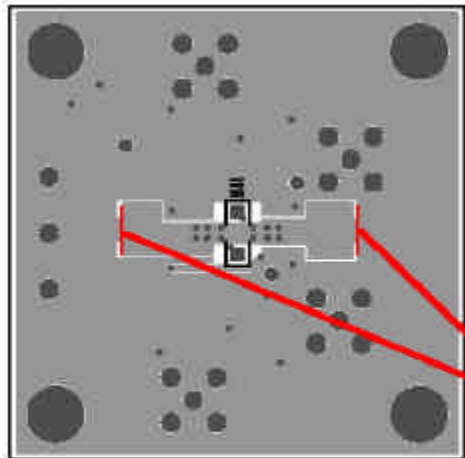
MODIFICATIONS TO ISOLATE HEATSINK FROM GND AND TIE IT TO V⁻



Add jumper (1 place)

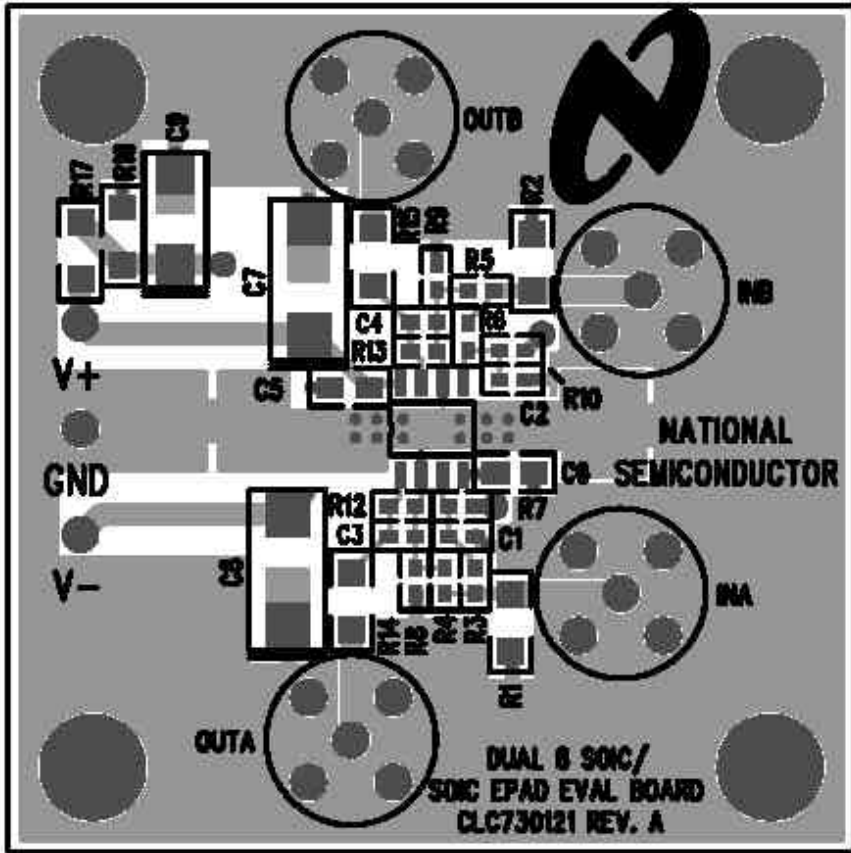
Cut (2 places)

Circuit Side Modification

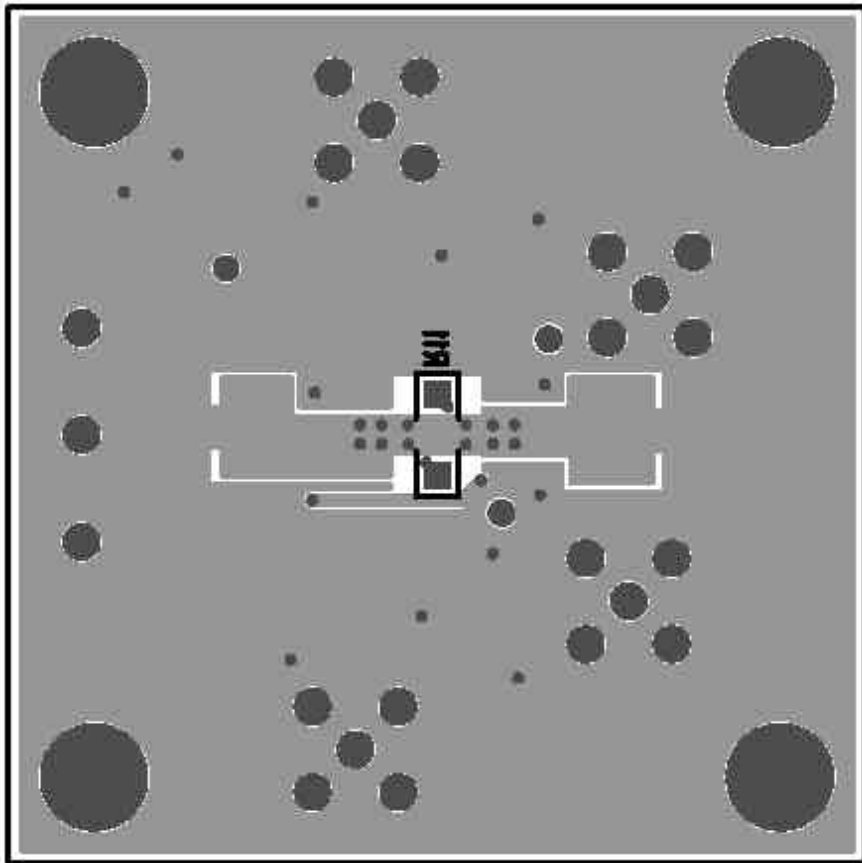


Cut (2 places)

Circuit Side Modification



Top Side



Bottom Side

LIFE SUPPORT POLICY

NATIONAL'S PRODUCTS ARE NOT AUTHORIZED FOR USE AS CRITICAL COMPONENTS IN LIFE SUPPORT DEVICES OR SYSTEMS WITHOUT THE EXPRESS WRITTEN APPROVAL OF THE PRESIDENT AND GENERAL COUNSEL OF NATIONAL SEMICONDUCTOR CORPORATION. As used herein:

1. Life support devices or systems are devices or systems which, (a) are intended for surgical implant into the body, or (b) support or sustain life, and whose failure to perform when properly used in accordance with instructions for use provided in the labeling, can be reasonably expected to result in a significant injury to the user.
2. A critical component is any component of a life support device or system whose failure to perform can be reasonably expected to cause the failure of the life support device or system, or to affect its safety or effectiveness.

National Semiconductor Corporation Americas
Tel: 1-800-272-9959
Fax: 1-800-737-7018
Email: support@nsc.com

National Semiconductor Europe
Fax: +49 (0) 180-530-85 86
Email: europe.support@nsc.com
Deutsch Tel: +49 (0) 69 9508 6208
English Tel: +44 (0) 870 24 0 2171
Francais Tel: +33 (0) 1 41 91 8790

National Semiconductor Asia Pacific Customer Response Group
Tel: 65-2544466
Fax: 65-2504466
Email: ap.support@nsc.com

National Semiconductor Japan Ltd.
Tel: 81-3-5639-7660
Fax: 81-3-5639-7507

National does not assume responsibility for use of any circuitry described, no circuit patent licenses are implied and National reserves the right at any time without notice to change said circuitry and specifications.