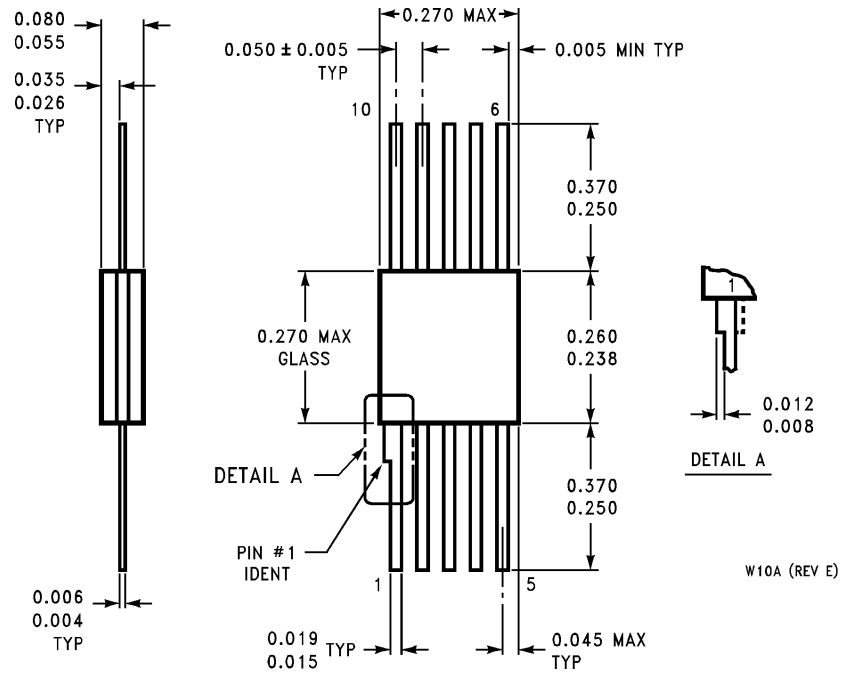


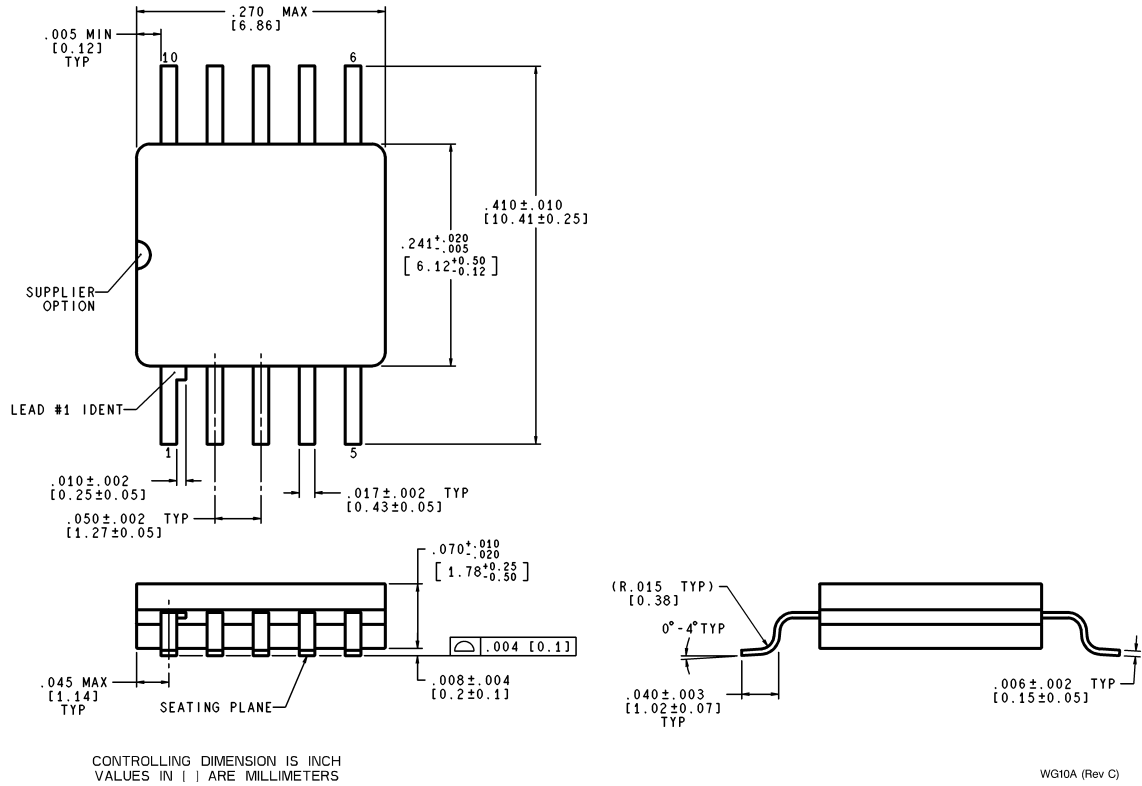
# Cerpack

## 10 Lead Cerpack NS Package Number W10A

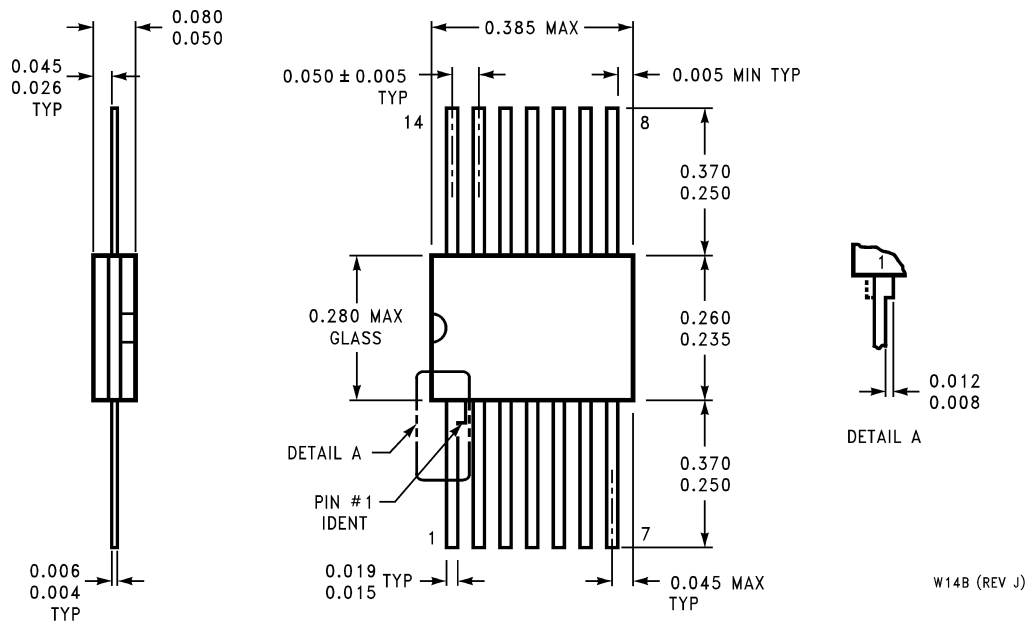


W10A (REV E)

### 10 Lead Cerpack NS Package Number WG10A

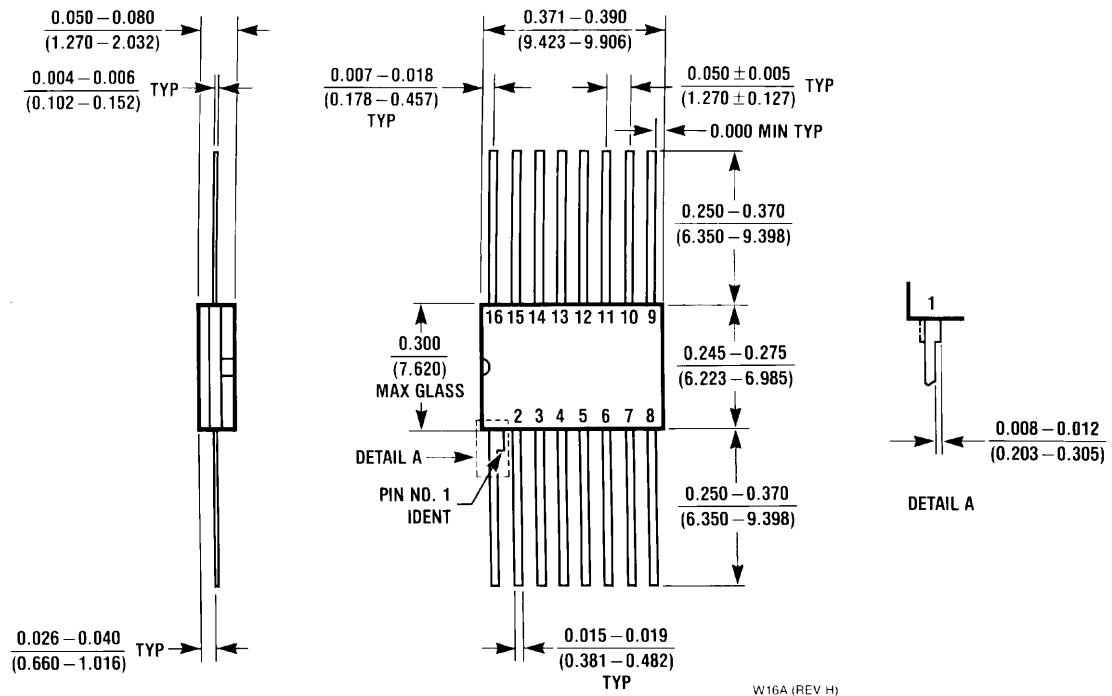


### 14 Lead Cerpack NS Package Number W14B



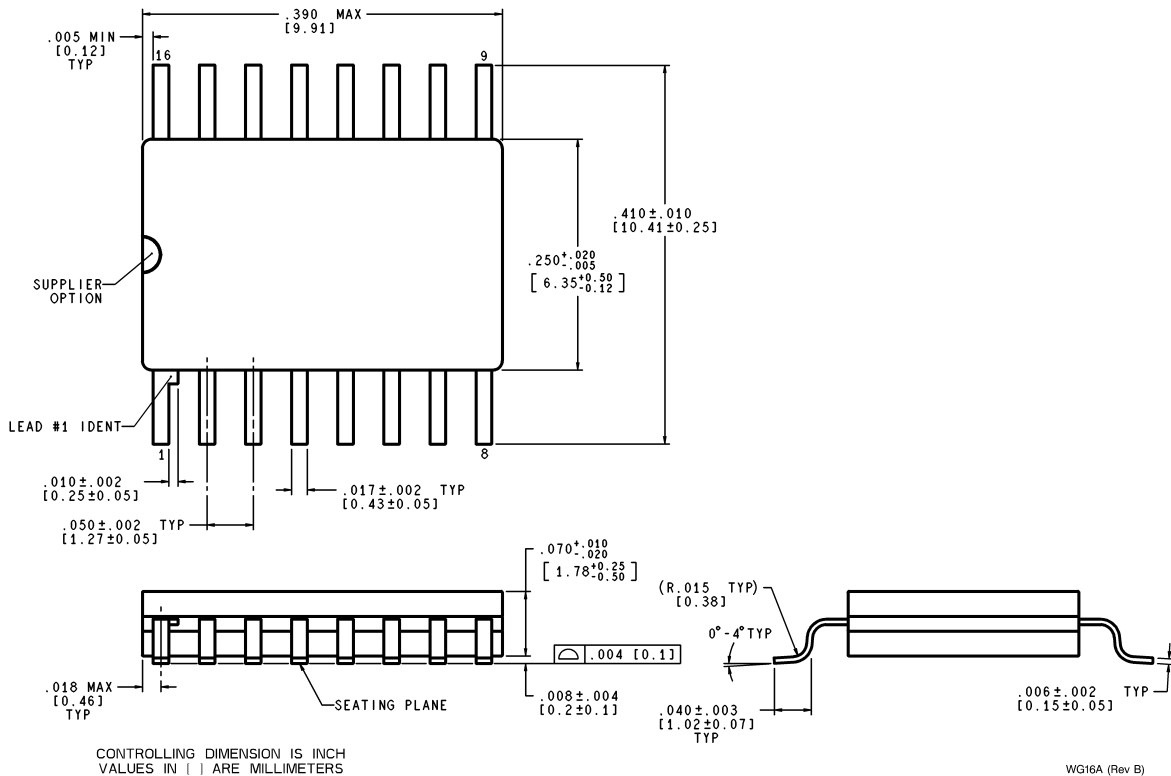


### 16 Lead Cerpack NS Package Number W16A



W16A (REV H)

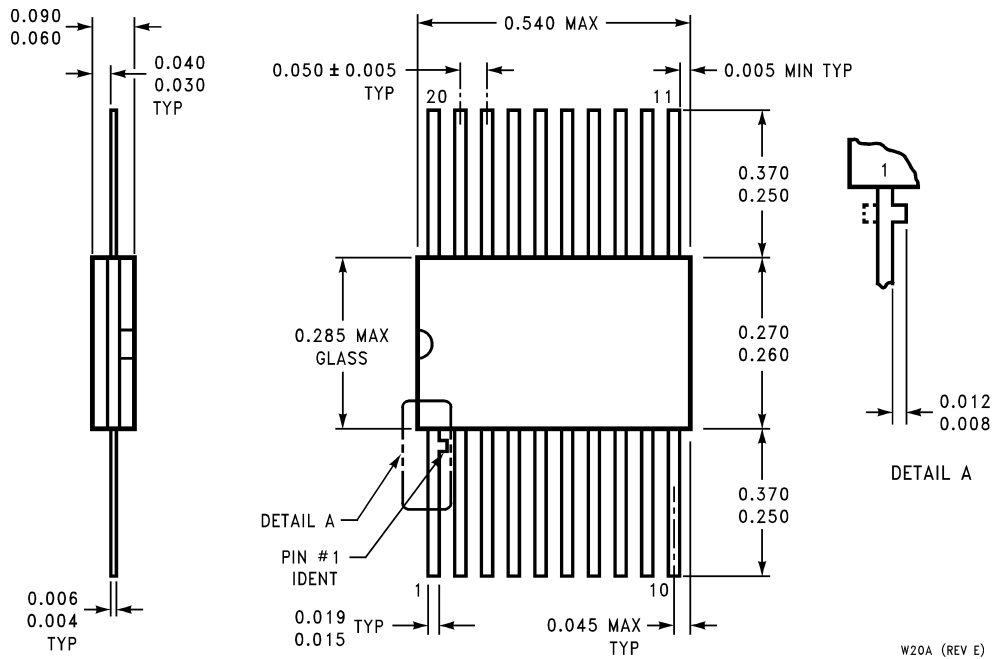
### 16 Lead Cerpack NS Package Number WG16A



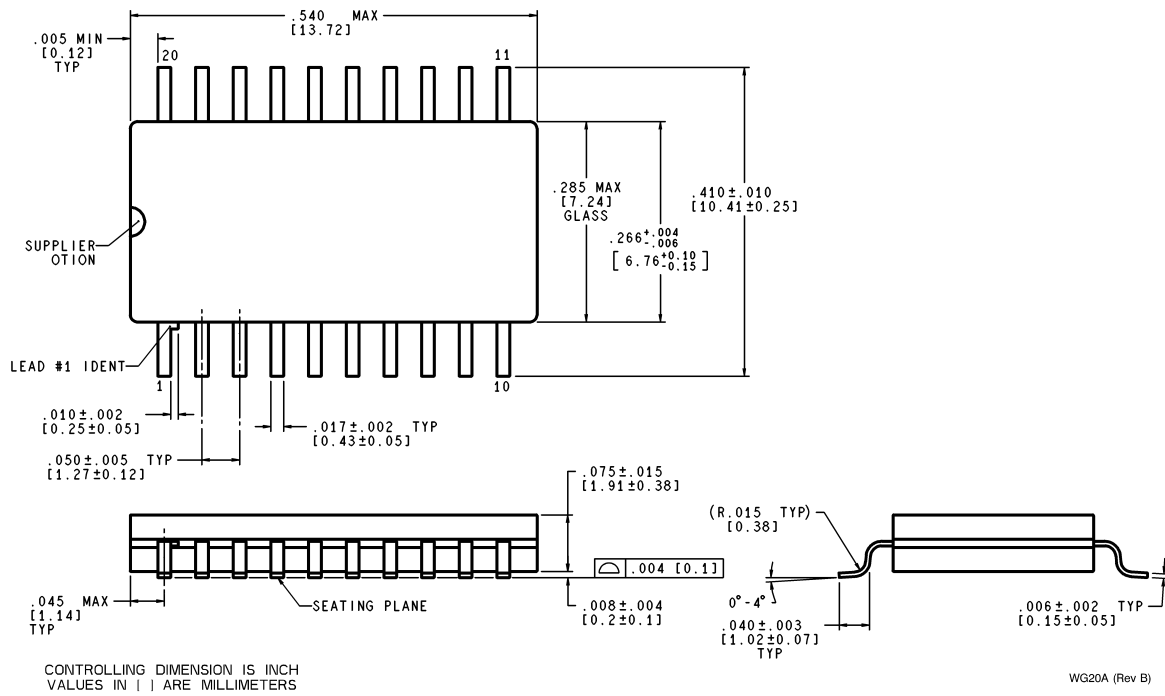
CONTROLLING DIMENSION IS INCH  
VALUES IN [ ] ARE MILLIMETERS

WG16A (Rev B)

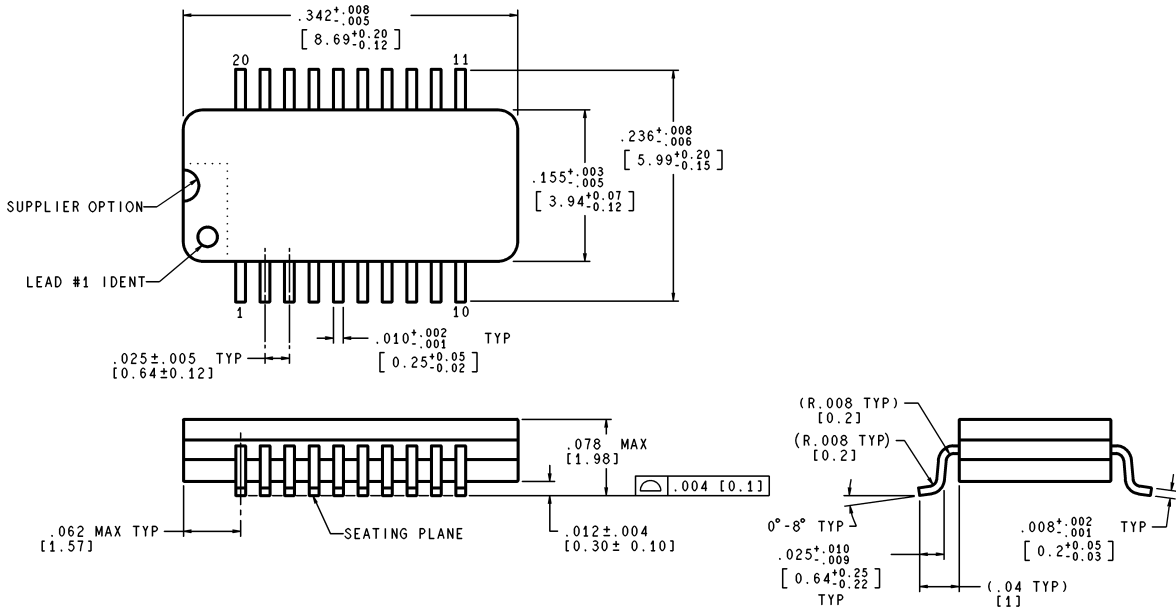
### 20 Lead Cerpack NS Package Number W20A



### 20 Lead Cerpack NS Package Number WG20A



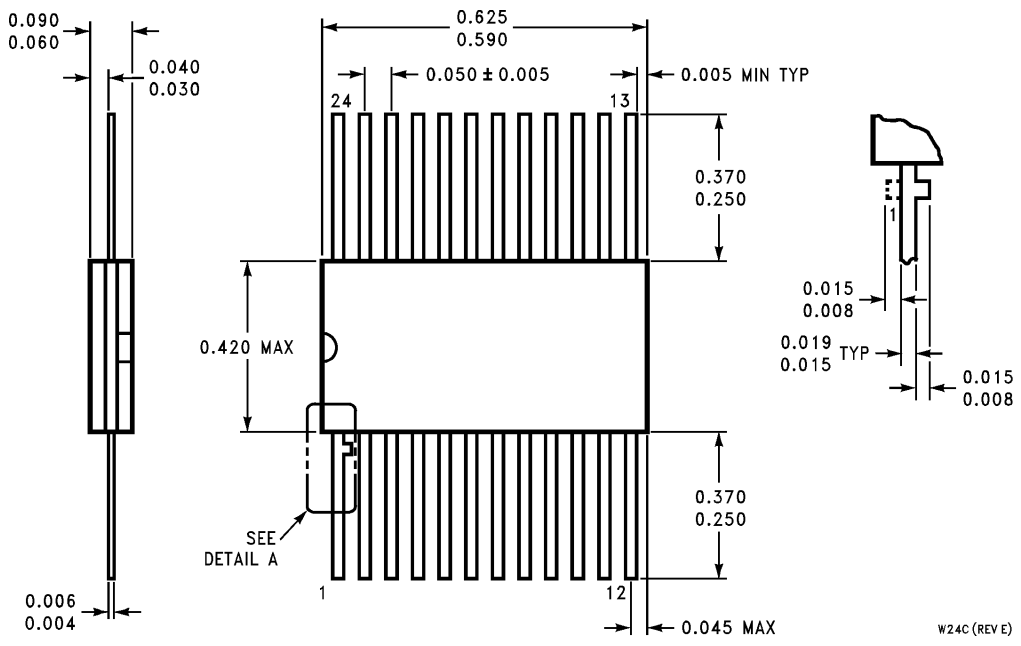
## 20 Lead Cerpack NS Package Number WG20B



CONTROLLING DIMENSION IS INCH  
VALUES IN [ ] ARE MILLIMETERS

WG20B (Rev A)

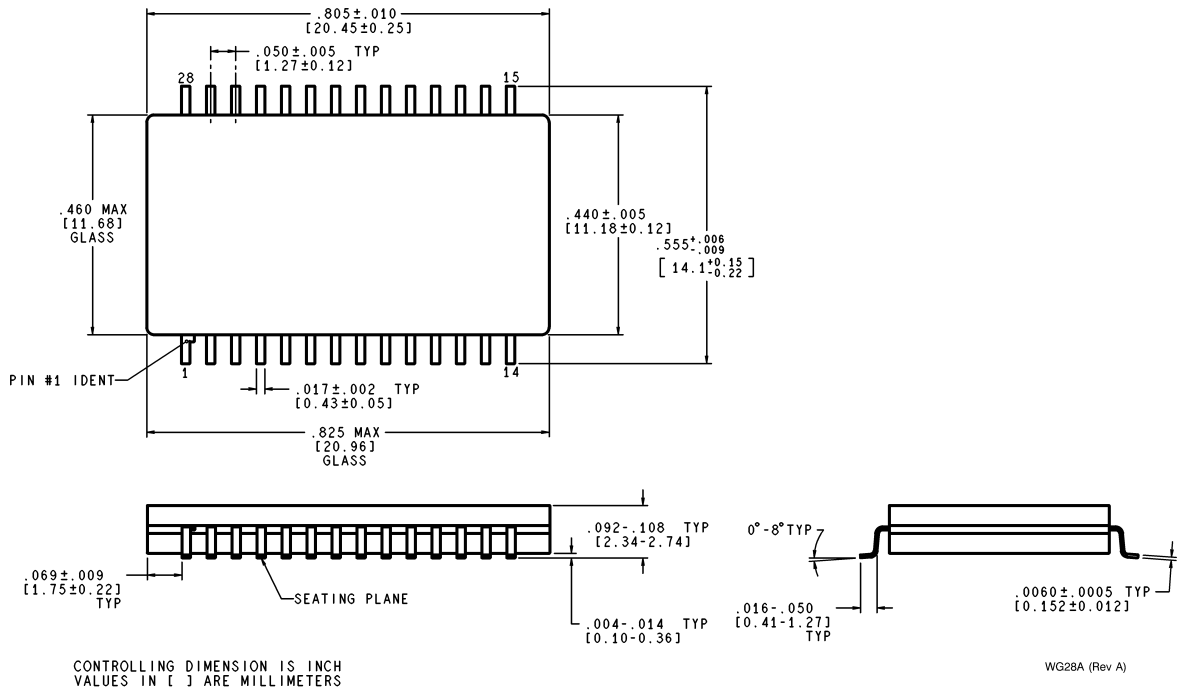
## 24 Lead Cerpack NS Package Number W24C



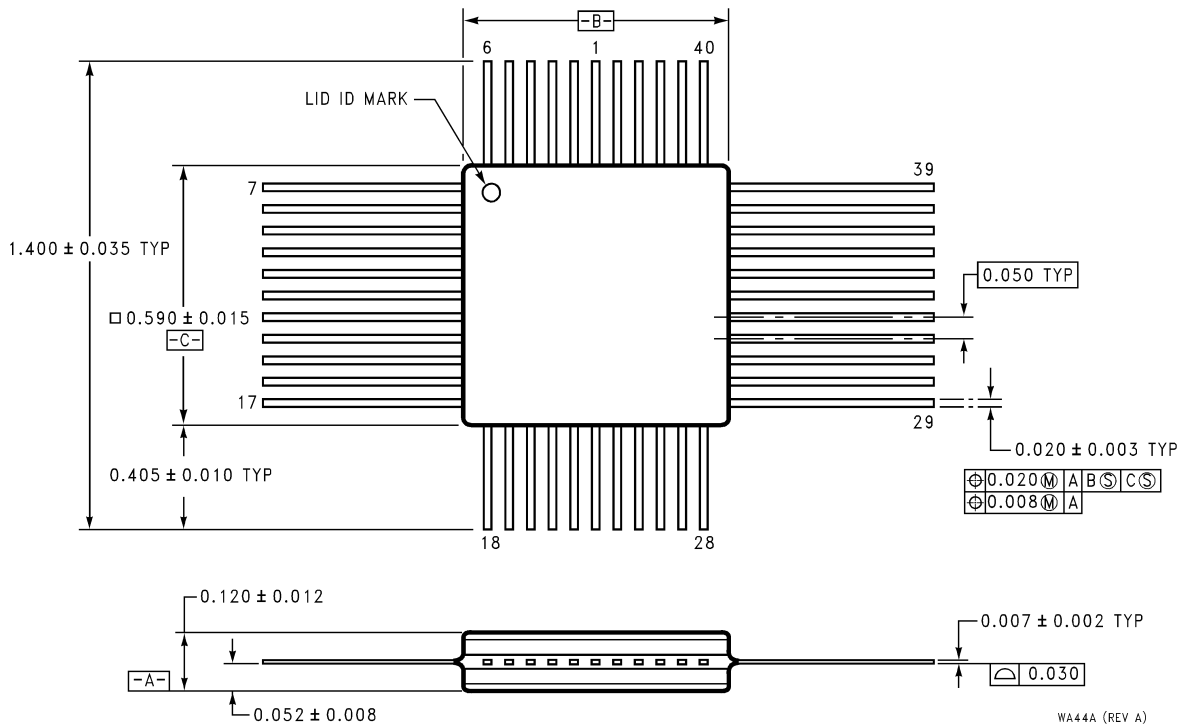
W24C (REV E)



### 28 Lead Cerpack NS Package Number WG28A

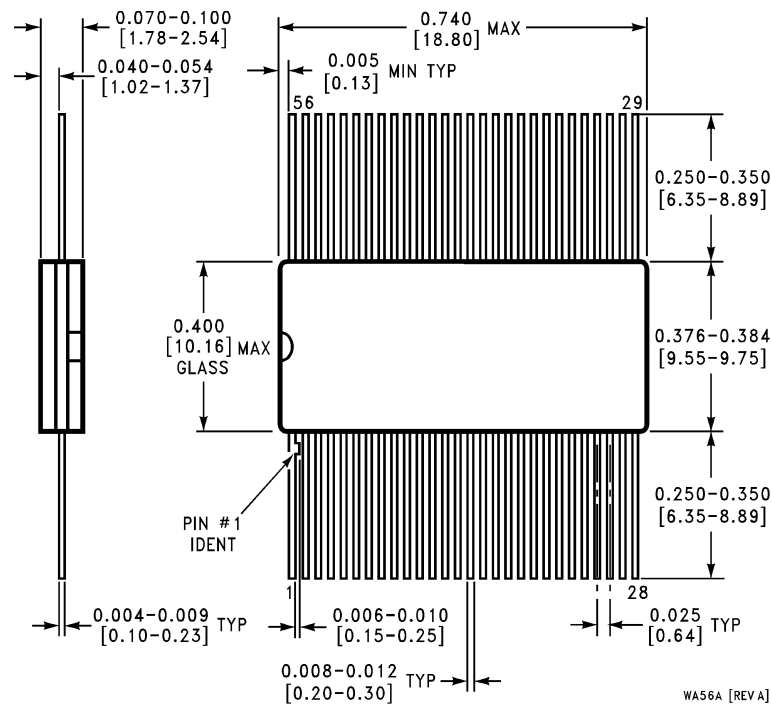


### 44 Lead Cerpack NS Package Number WA44A





## 56 Lead Cerpack NS Package Number WA56A



### LIFE SUPPORT POLICY

NATIONAL'S PRODUCTS ARE NOT AUTHORIZED FOR USE AS CRITICAL COMPONENTS IN LIFE SUPPORT DEVICES OR SYSTEMS WITHOUT THE EXPRESS WRITTEN APPROVAL OF THE PRESIDENT AND GENERAL COUNSEL OF NATIONAL SEMICONDUCTOR CORPORATION. As used herein:

1. Life support devices or systems are devices or systems which, (a) are intended for surgical implant into the body, or (b) support or sustain life, and whose failure to perform when properly used in accordance with instructions for use provided in the labeling, can be reasonably expected to result in a significant injury to the user.
2. A critical component is any component of a life support device or system whose failure to perform can be reasonably expected to cause the failure of the life support device or system, or to affect its safety or effectiveness.



**National Semiconductor Corporation**  
Americas  
Tel: 1-800-272-9959  
Fax: 1-800-737-7018  
Email: support@nsc.com

www.national.com

**National Semiconductor Europe**  
Fax: +49 (0) 1 80-530 85 86  
Email: europe.support@nsc.com  
Deutsch Tel: +49 (0) 1 80-530 85 85  
English Tel: +49 (0) 1 80-532 78 32  
Français Tel: +49 (0) 1 80-532 93 58  
Italiano Tel: +49 (0) 1 80-534 16 80

**National Semiconductor Asia Pacific Customer Response Group**  
Tel: 65-2544466  
Fax: 65-2504466  
Email: sea.support@nsc.com

**National Semiconductor Japan Ltd.**  
Tel: 81-3-5639-7560  
Fax: 81-3-5639-7507