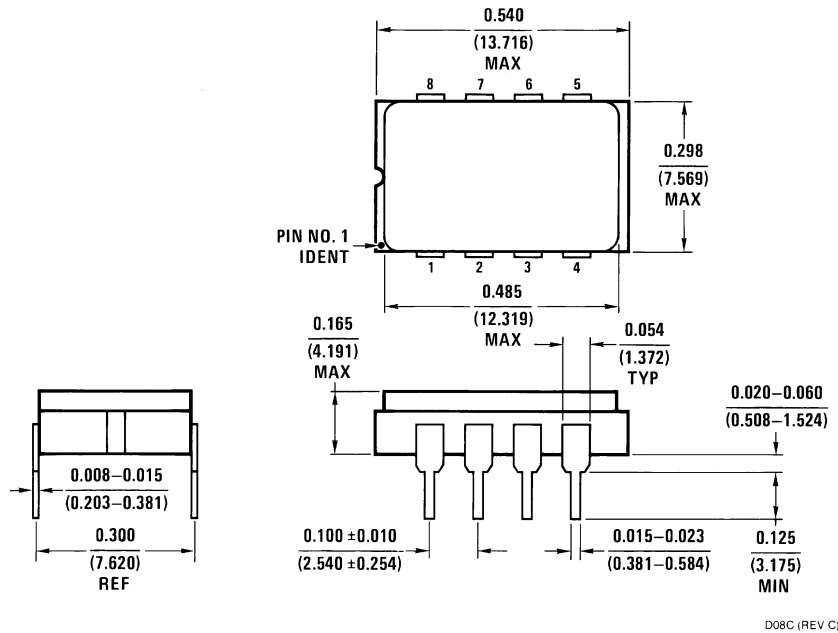
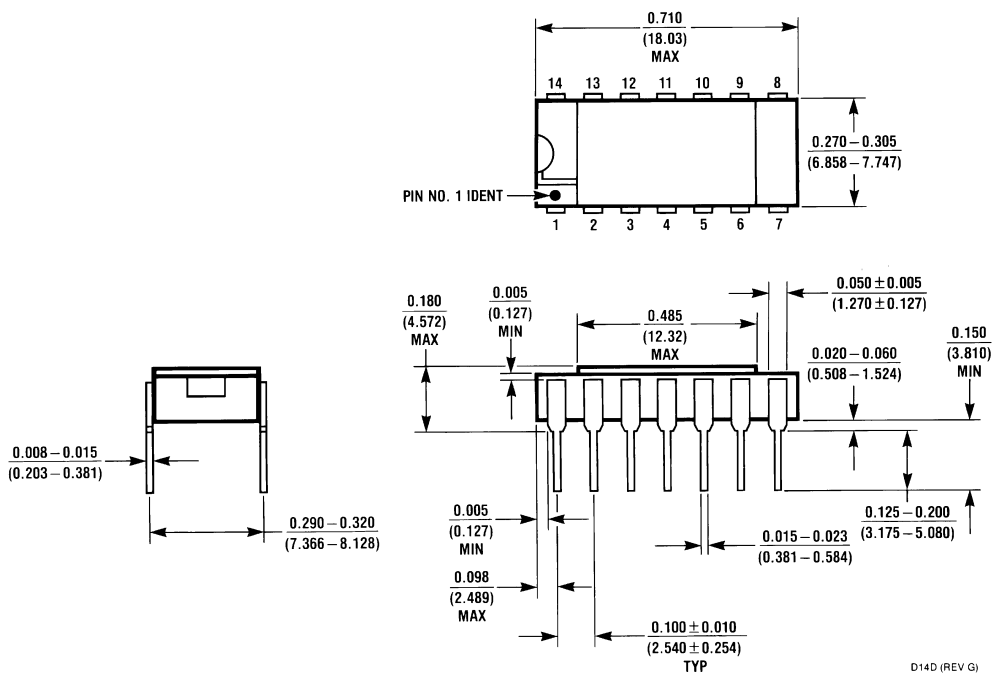


Ceramic Sidebrazed Dual-in-Line Packages (SB)

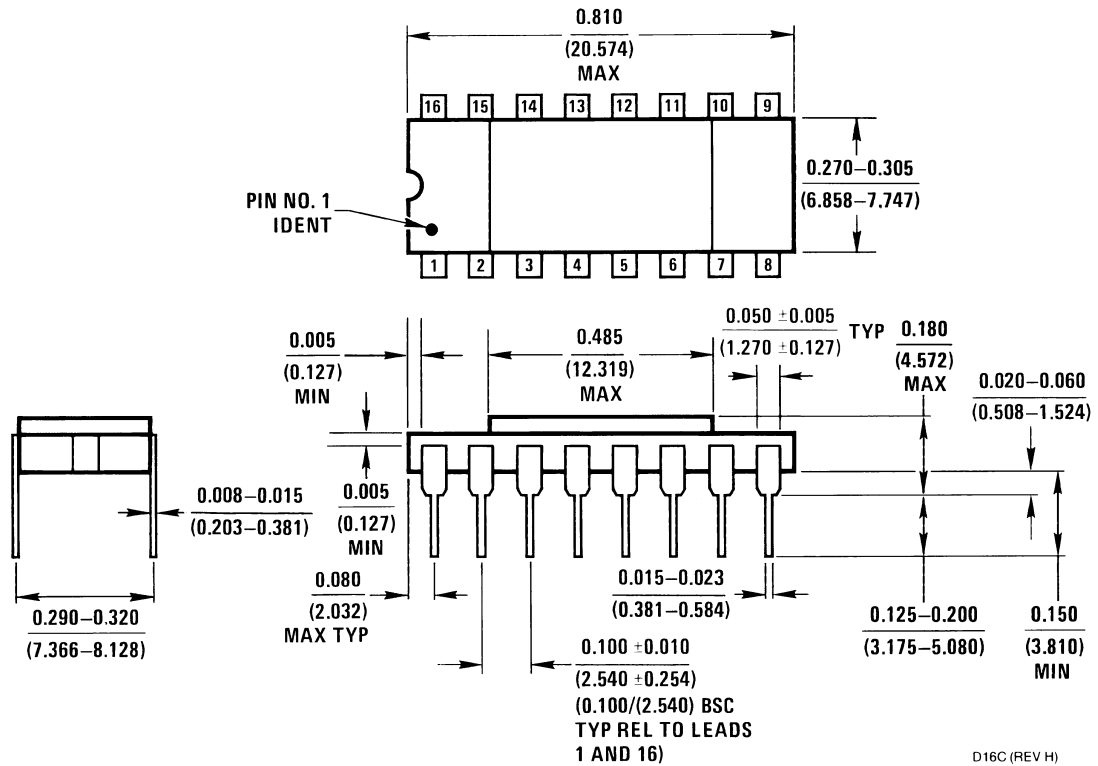
8 Lead Ceramic Sidebrazed Dual-in-Line Package NS Package Number D08C



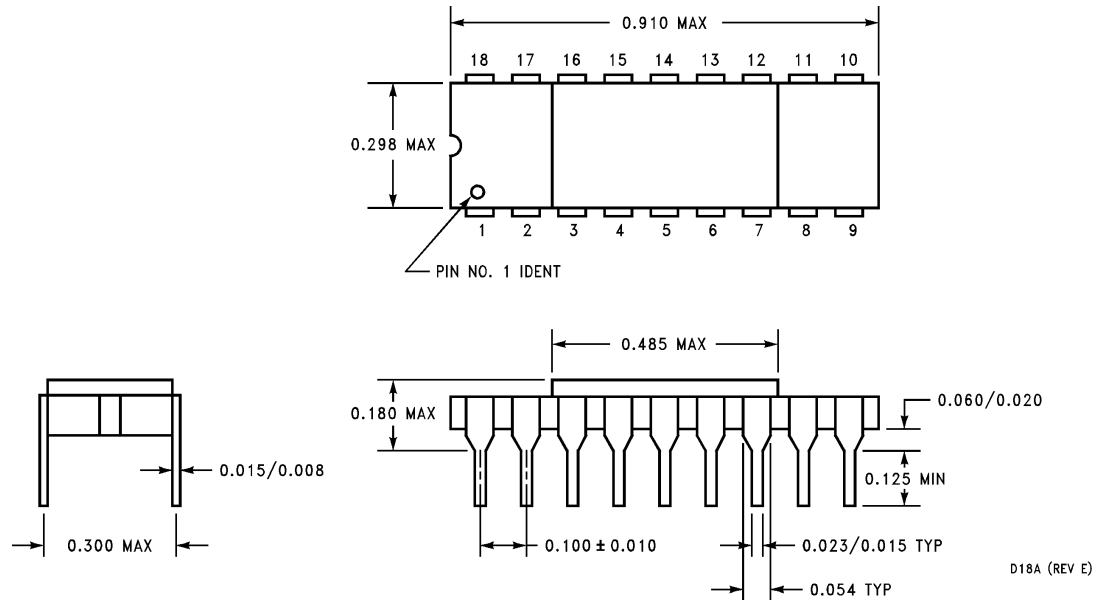
14 Lead Ceramic Sidebrazed Dual-in-Line Package NS Package Number D14D



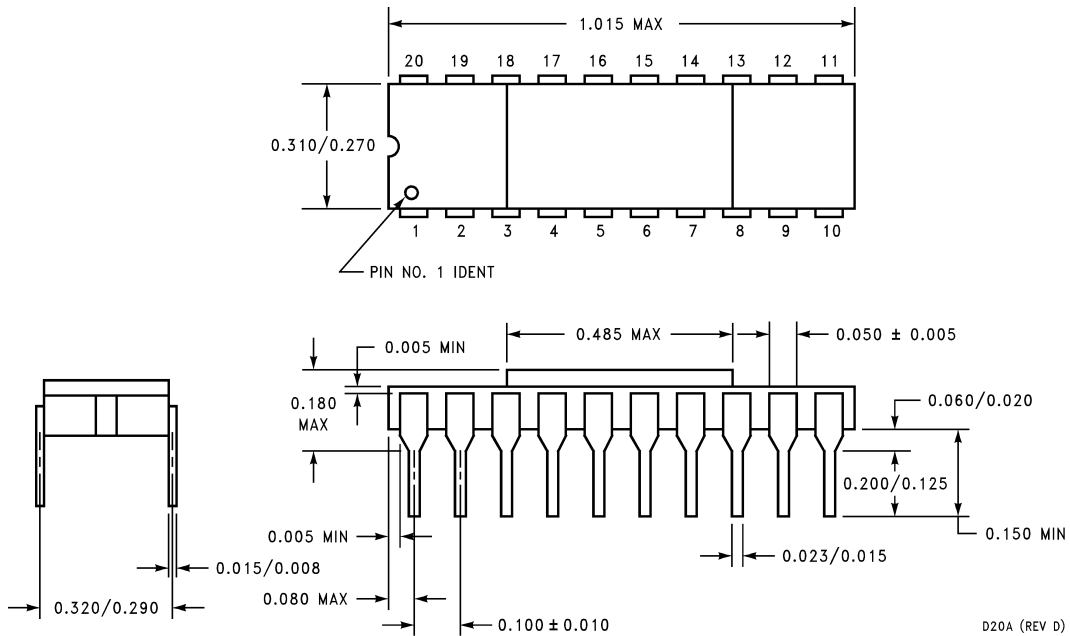
16 Lead Ceramic Sidebrazed Dual-in-Line Package NS Package Number D16C



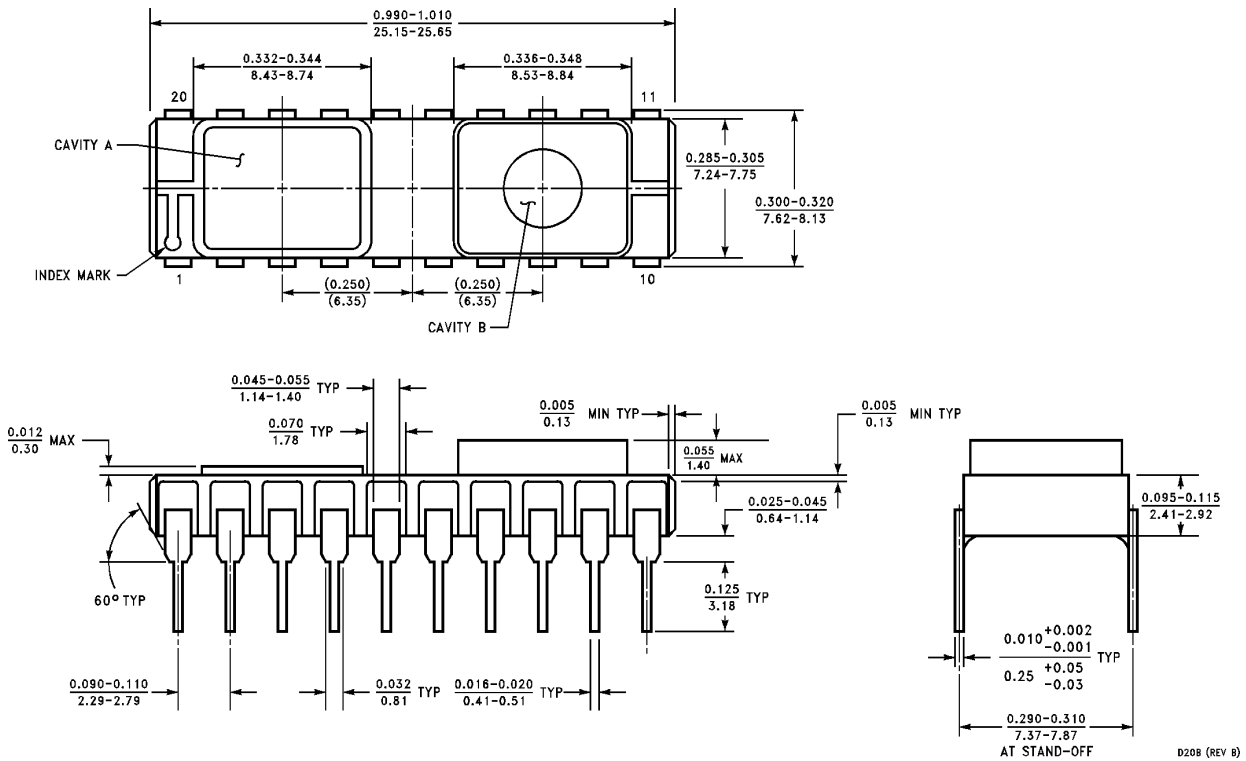
18 Lead Ceramic Sidebrazed Dual-in-Line Package NS Package Number D18A



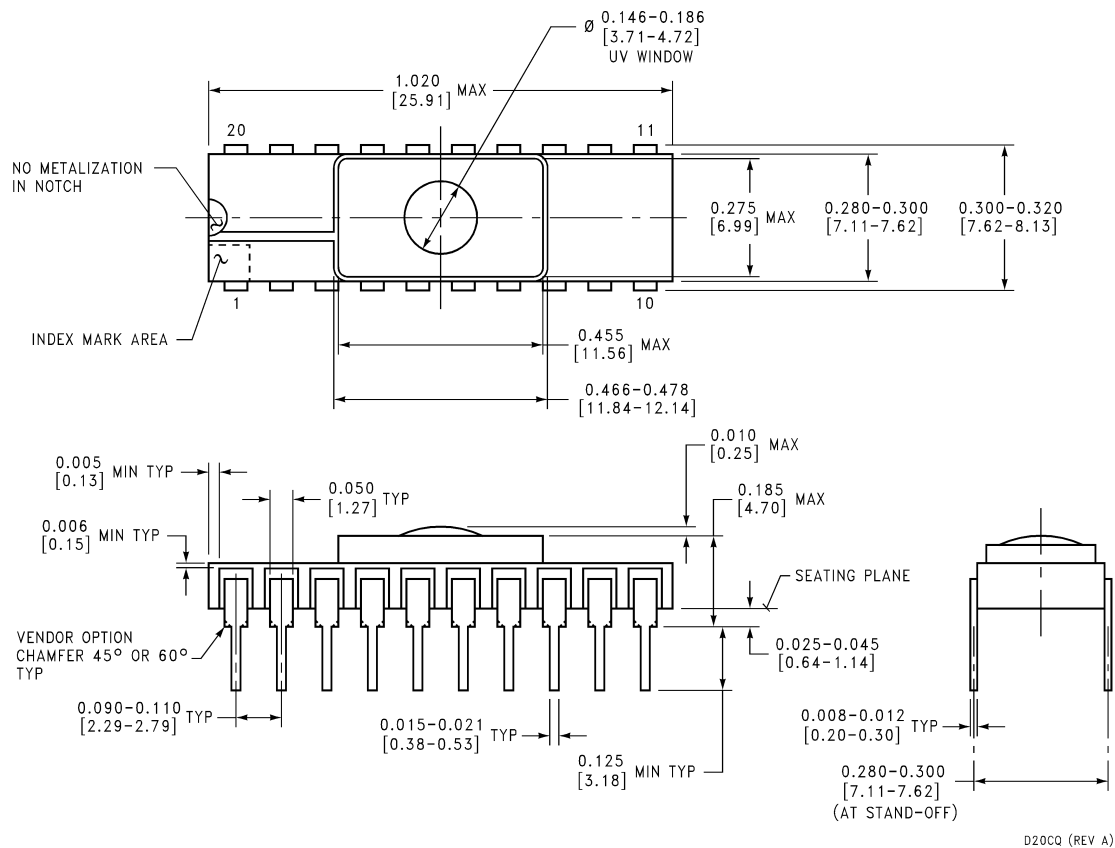
20 Lead Ceramic Sidebrazed Dual-in-Line Package NS Package Number D20A



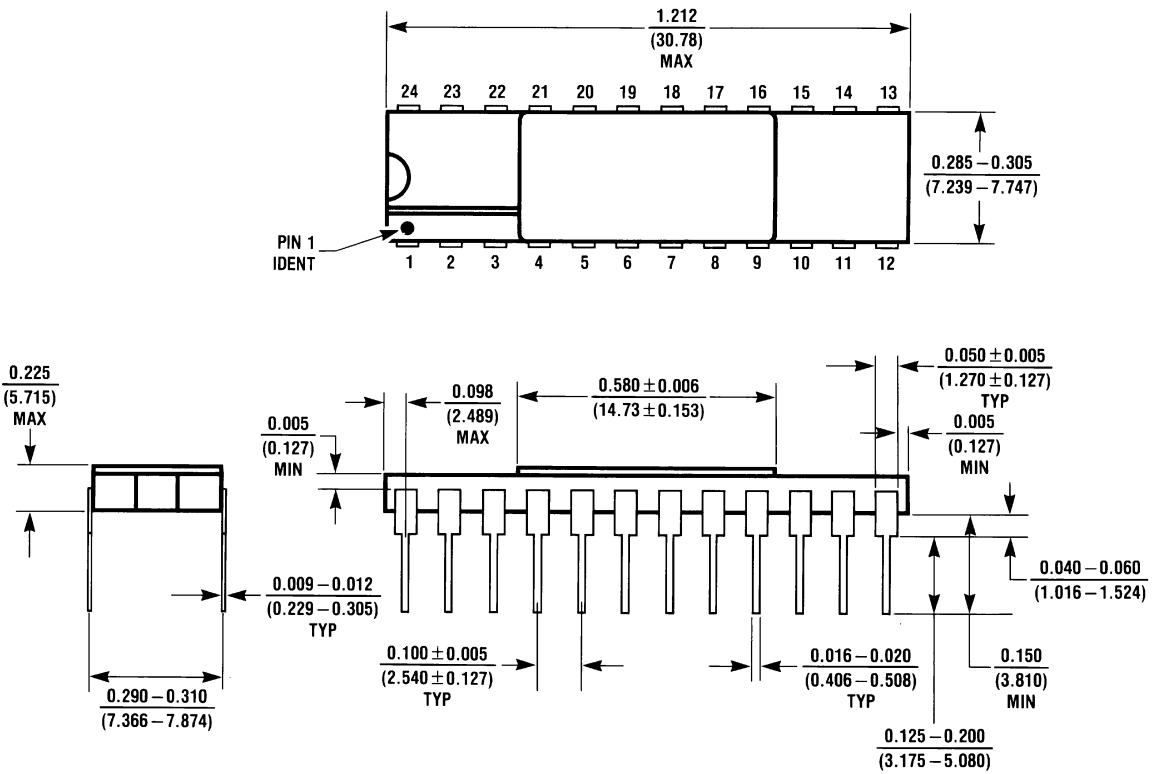
20 Lead Ceramic Sidebrazed Dual-in-Line Package, Dual Cavity NS Package Number D20B



20 Lead Ceramic Sidebrazed Dual-in-Line Package, EPROM NS Package Number D20CQ

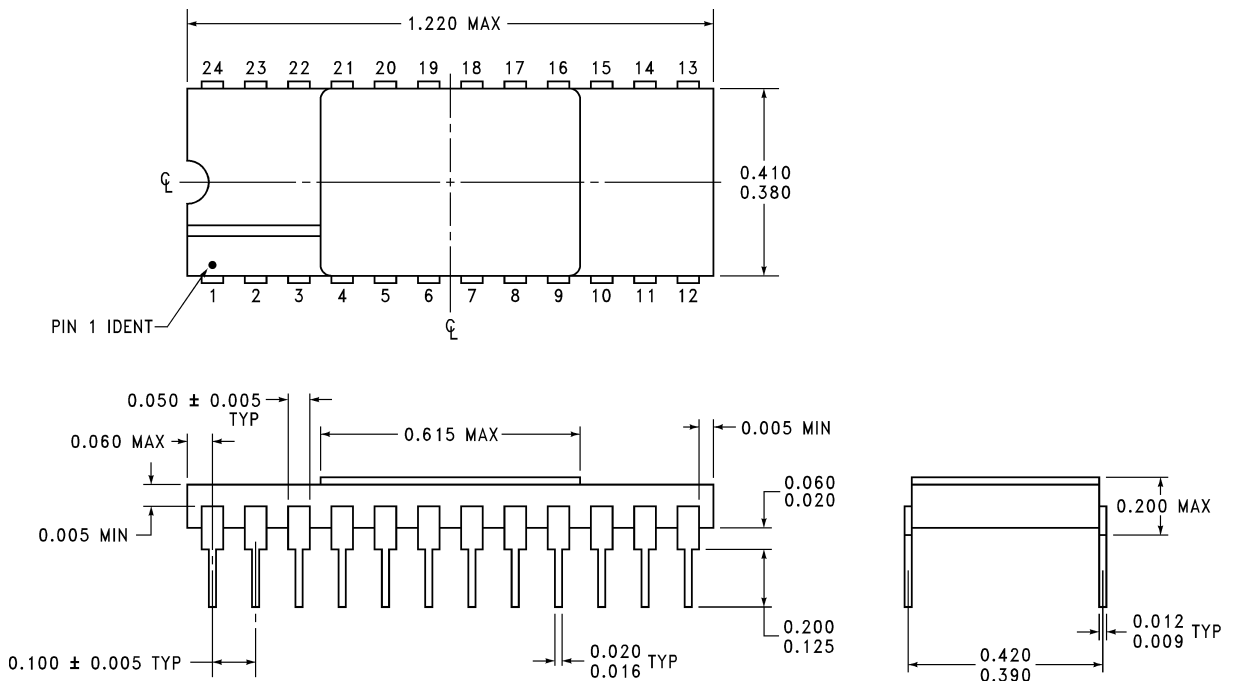


24 Lead (0.300" Wide) Ceramic Sidebrazed Dual-in-Line Package NS Package Number D24H



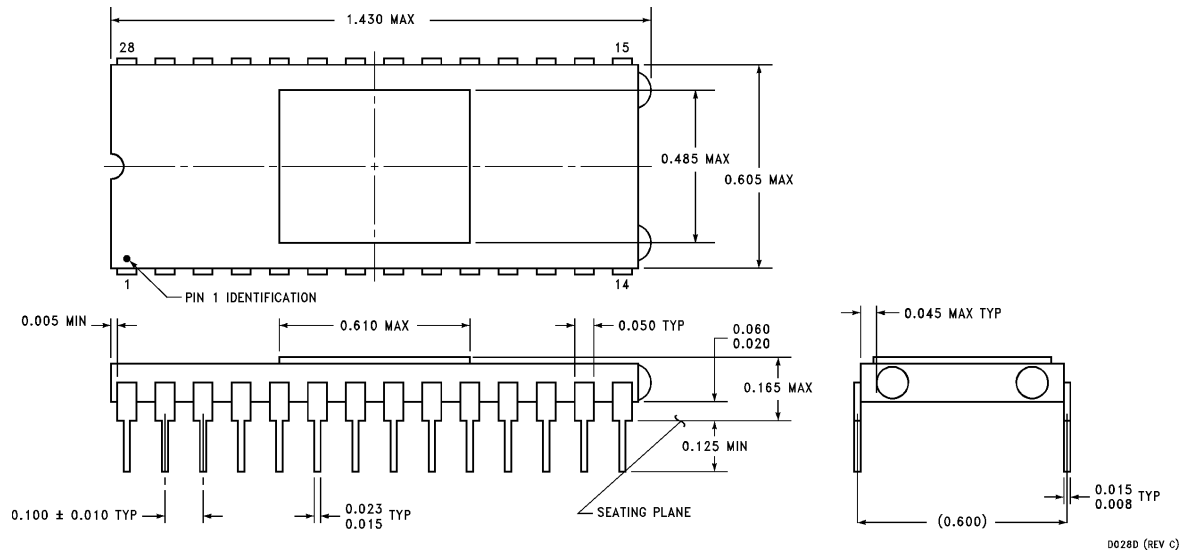
D24H (REV C)

24 Lead (0.400" Wide) Ceramic Sidebrazed Dual-in-Line Package NS Package Number D24K

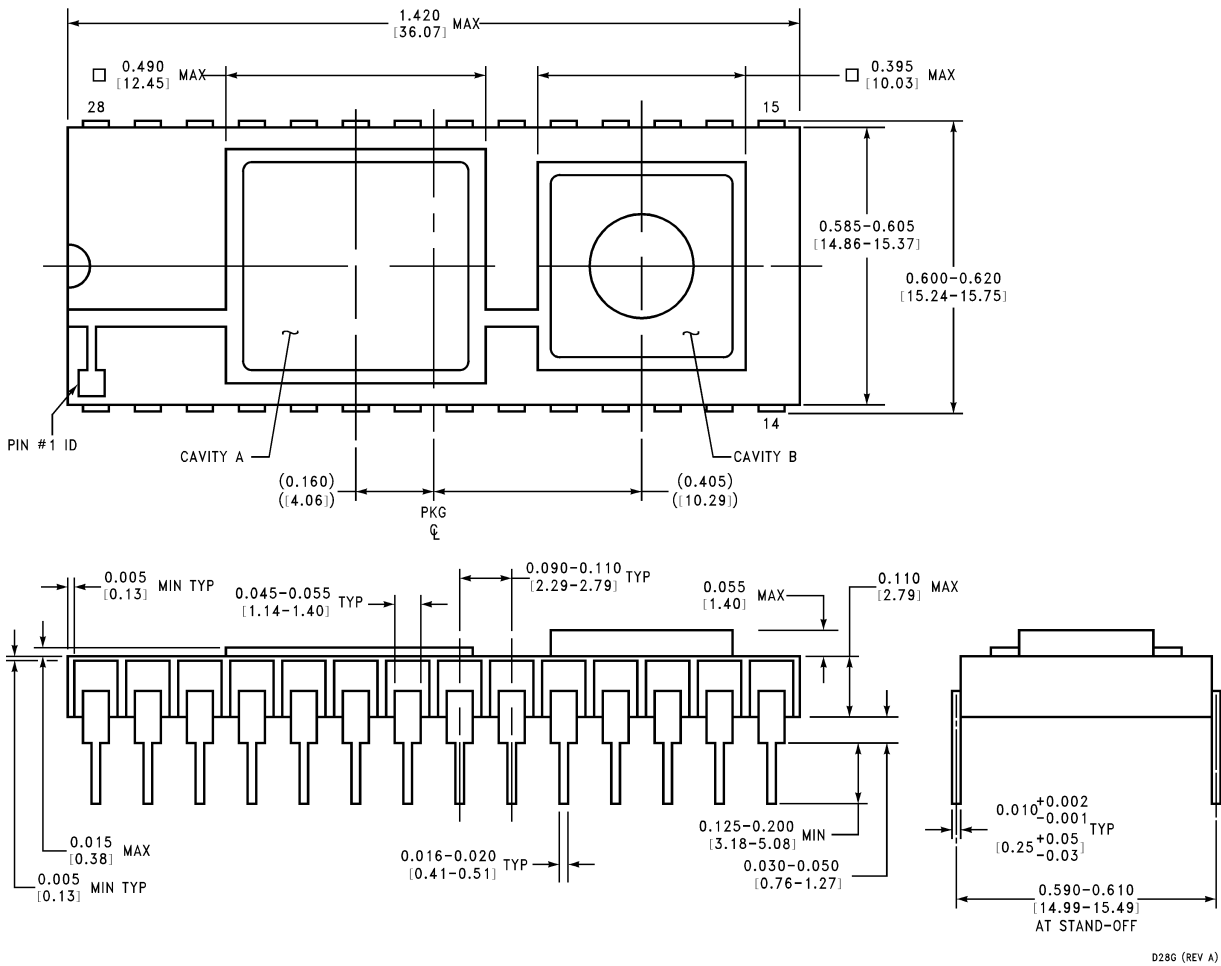


D24K (REV B)

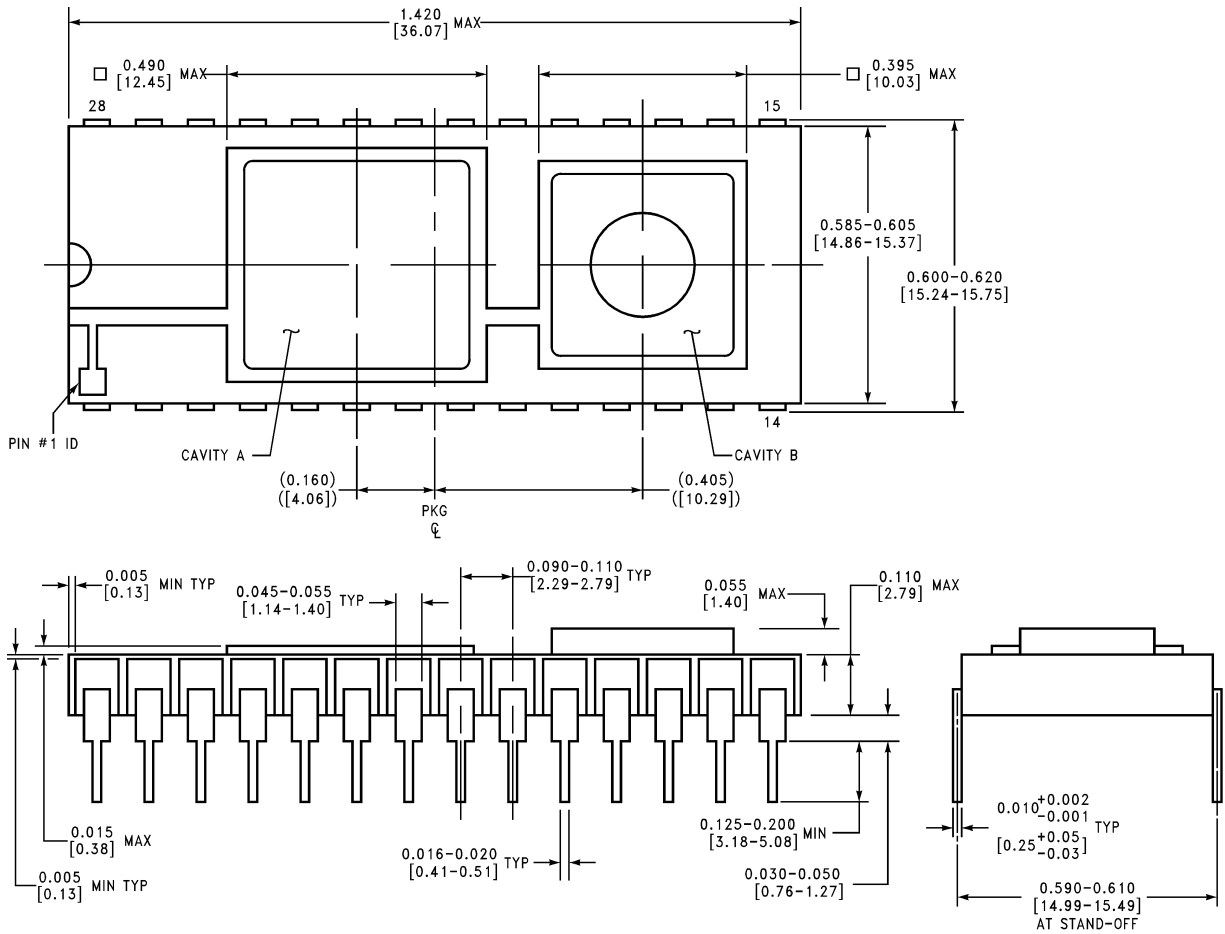
28 Lead Ceramic Sidebrazed Dual-in-Line Package NS Package Number D28D



28 Lead Ceramic Sidebrazed Dual-in-Line Package, Dual Cavity NS Package Number D28G

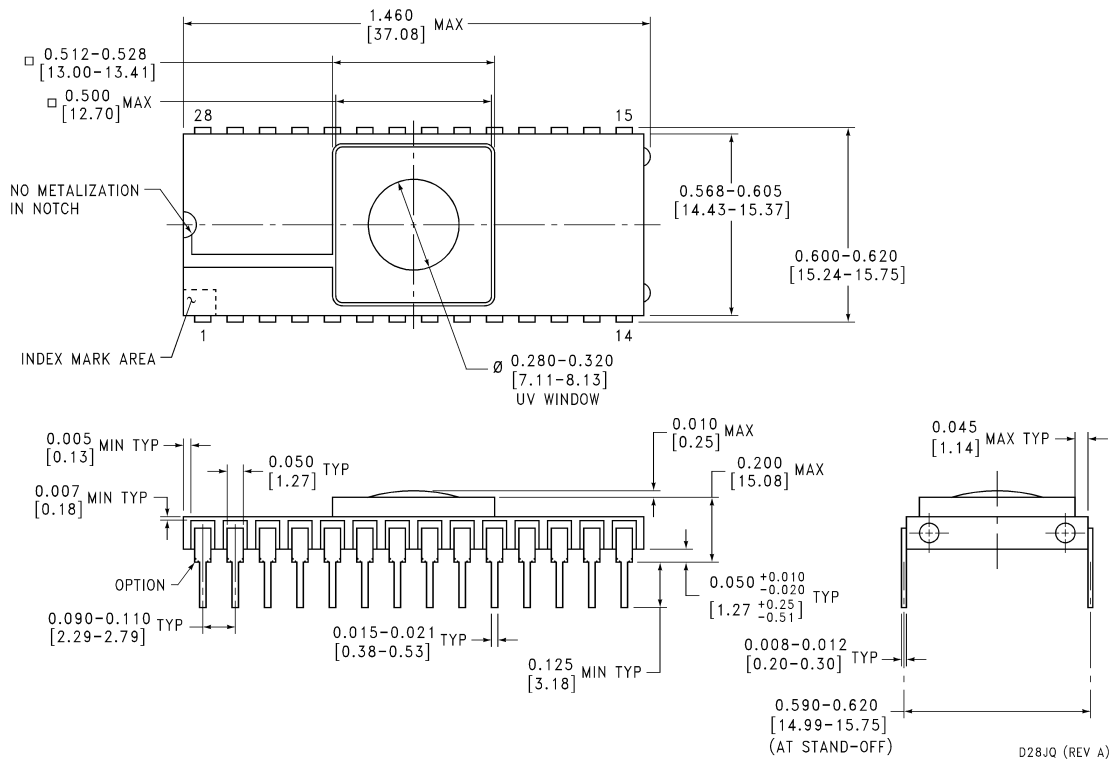


28 Lead Ceramic Sidebraced Dual-in-Line Package, Dual Cavity NS Package Number D28H

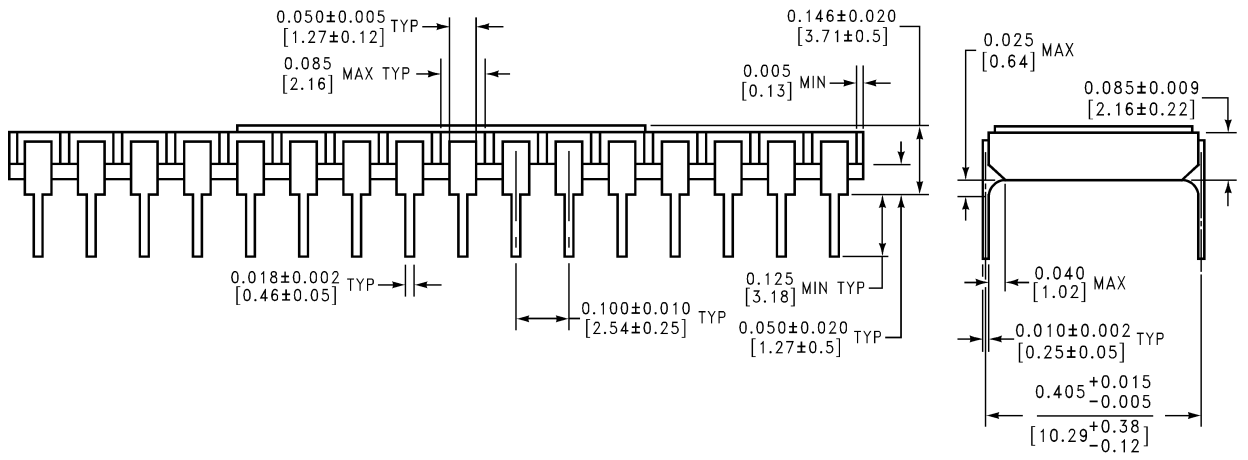
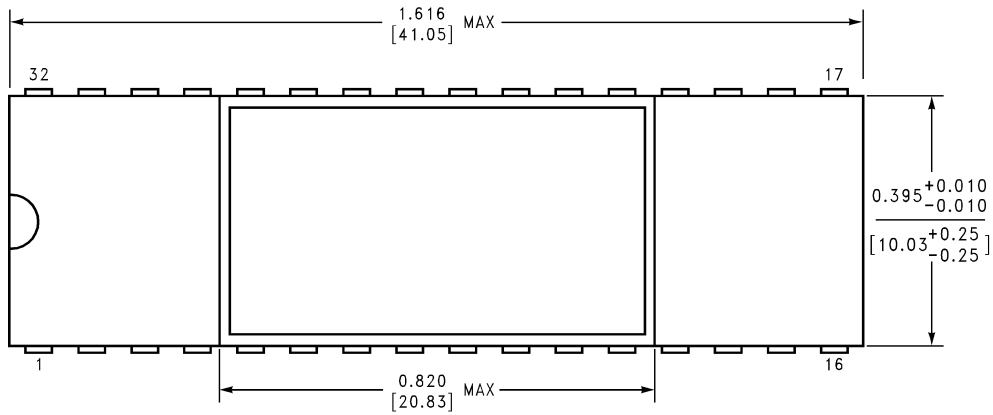


D28H (REV A)

28 Lead Ceramic Sidebraced Dual-in-Line Package, EPROM NS Package Number D28JQ

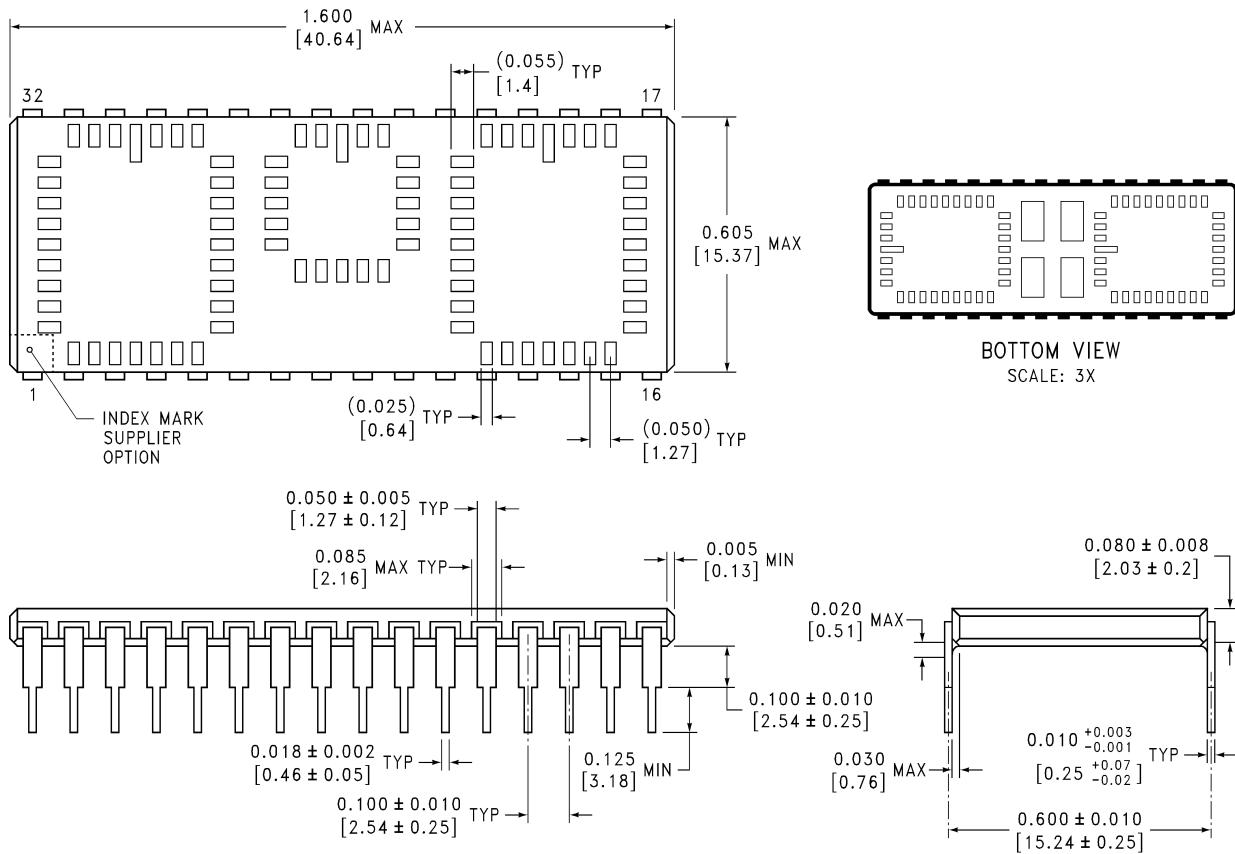


32 Lead Ceramic Sidebrazed Dual-in-Line Package NS Package Number DA32A



DA32A (REV A)

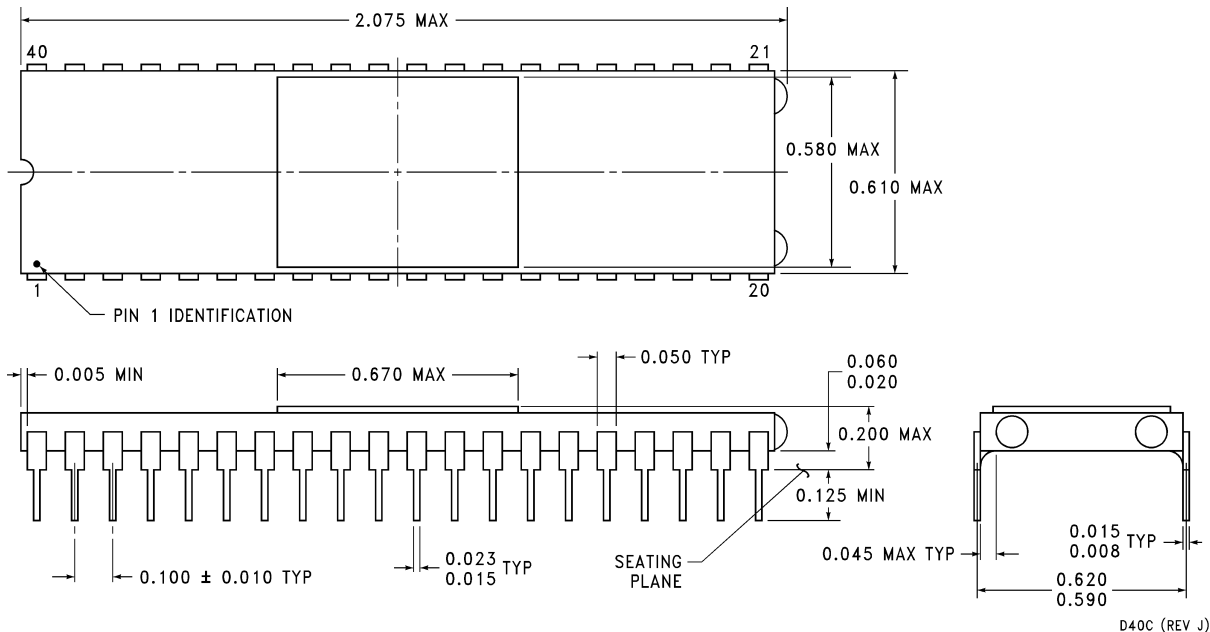
32 Lead Ceramic Sidebrazed Dual-in-Line Package NS Package Number DA32B



BOTTOM VIEW
SCALE: 3X

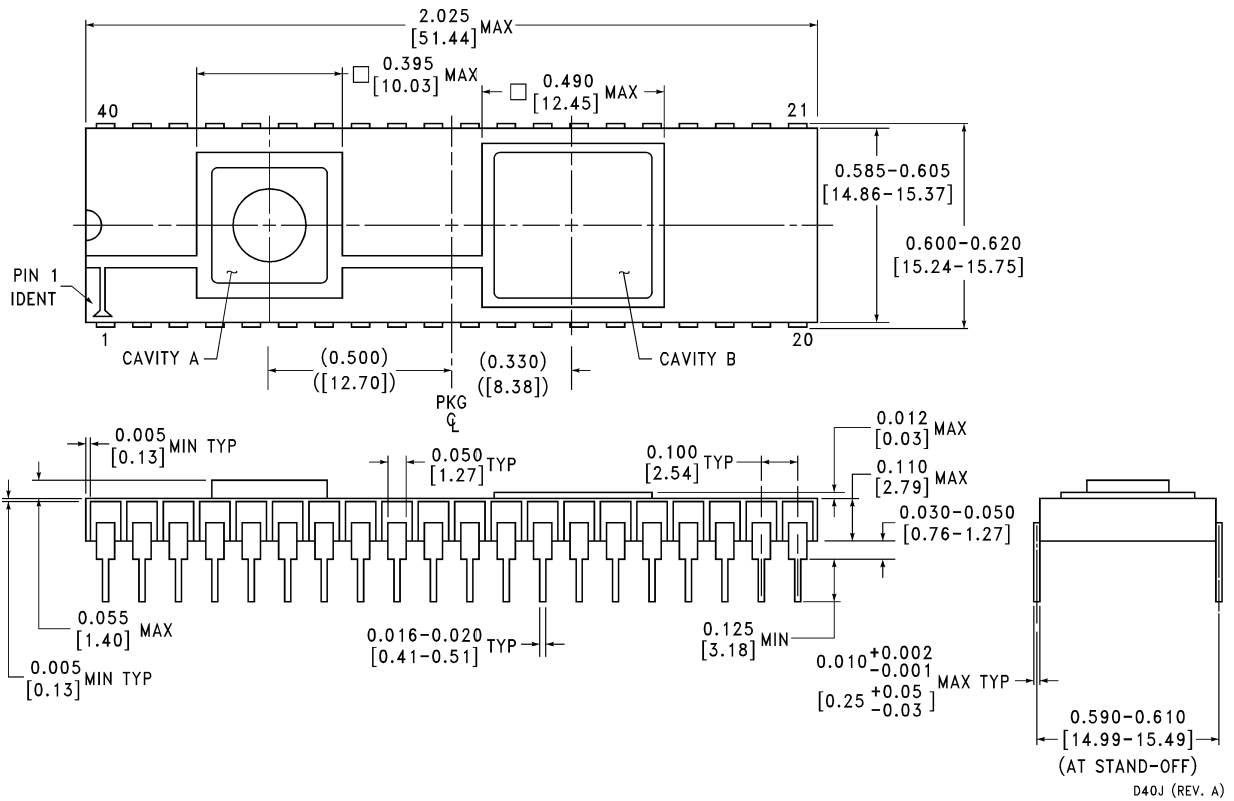
DA32B (REV A)

40 Lead Ceramic Sidebrazed Dual-in-Line Package NS Package Number D40C

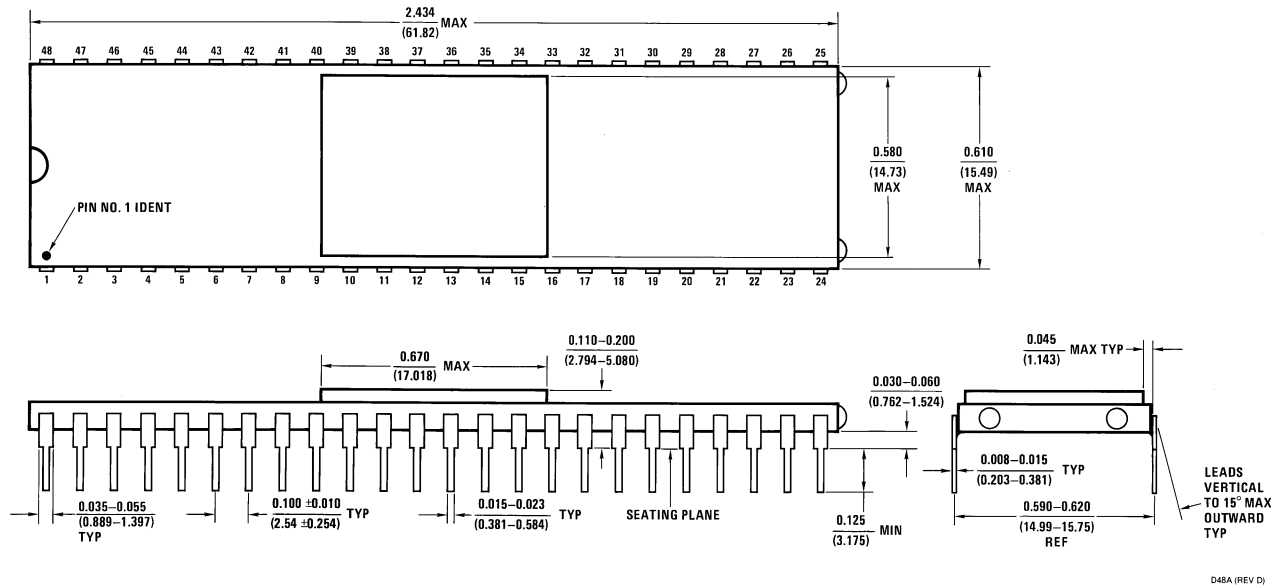


D40C (REV J)

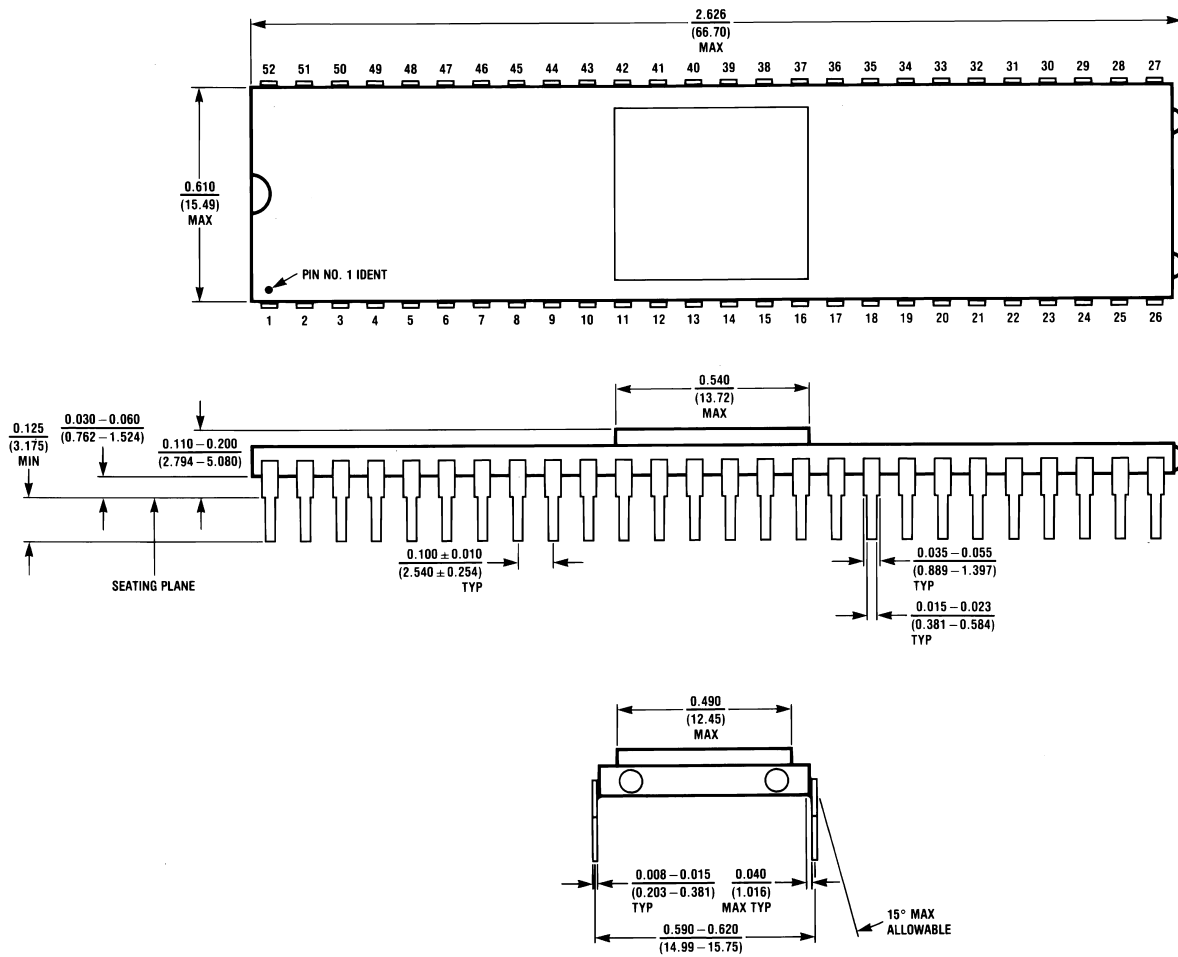
40 Lead Ceramic Sidebraced Dual-in-Line Package, Dual Cavity NS Package Number D40J



48 Lead Ceramic Sidebraced Dual-in-Line Package NS Package Number D48A



52 Lead Ceramic Sidebraced Dual-in-Line Package NS Package Number D52A



D52A (REV A)

LIFE SUPPORT POLICY

NATIONAL'S PRODUCTS ARE NOT AUTHORIZED FOR USE AS CRITICAL COMPONENTS IN LIFE SUPPORT DEVICES OR SYSTEMS WITHOUT THE EXPRESS WRITTEN APPROVAL OF THE PRESIDENT AND GENERAL COUNSEL OF NATIONAL SEMICONDUCTOR CORPORATION. As used herein:

1. Life support devices or systems are devices or systems which, (a) are intended for surgical implant into the body, or (b) support or sustain life, and whose failure to perform when properly used in accordance with instructions for use provided in the labeling, can be reasonably expected to result in a significant injury to the user.
2. A critical component is any component of a life support device or system whose failure to perform can be reasonably expected to cause the failure of the life support device or system, or to affect its safety or effectiveness.



National Semiconductor Corporation
Americas
Tel: 1-800-272-9959
Fax: 1-800-737-7018
Email: support@nsc.com

www.national.com

National Semiconductor Europe

Fax: +49 (0) 1 80-530 85 86
Email: europe.support@nsc.com
Deutsch Tel: +49 (0) 1 80-530 85 85
English Tel: +49 (0) 1 80-532 78 32
Français Tel: +49 (0) 1 80-532 93 58
Italiano Tel: +49 (0) 1 80-534 16 80

National Semiconductor Asia Pacific Customer Response Group

Tel: 65-2544466
Fax: 65-2504466
Email: sea.support@nsc.com

National Semiconductor Japan Ltd.

Tel: 81-3-5639-7560
Fax: 81-3-5639-7507