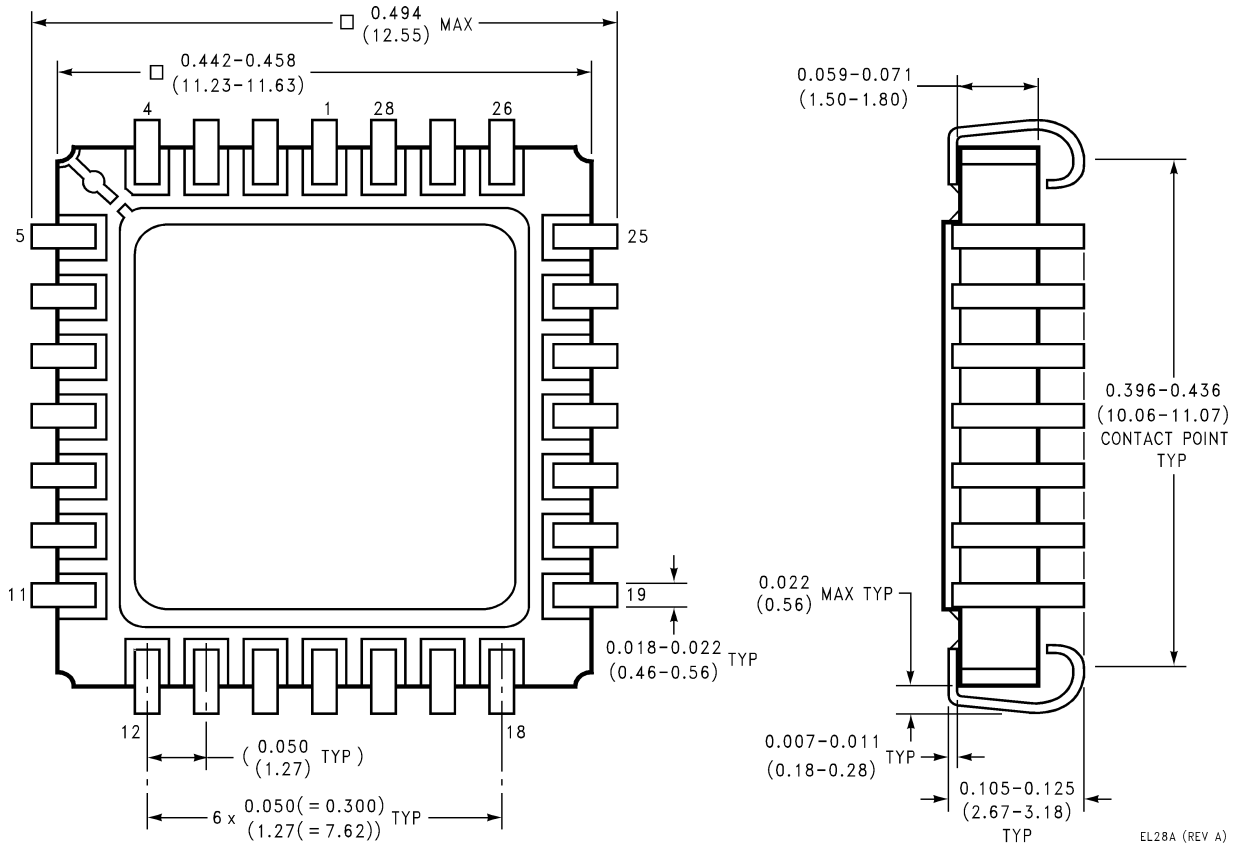


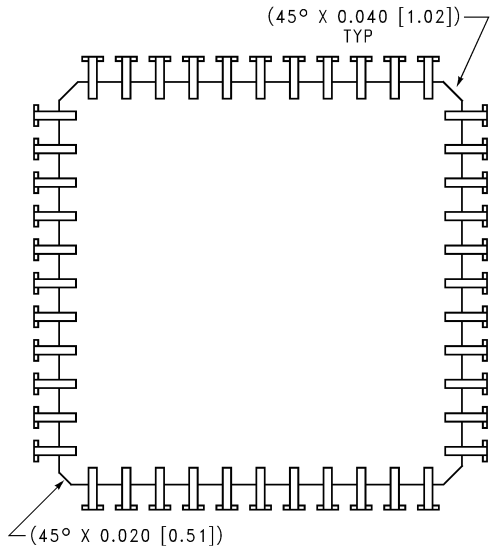
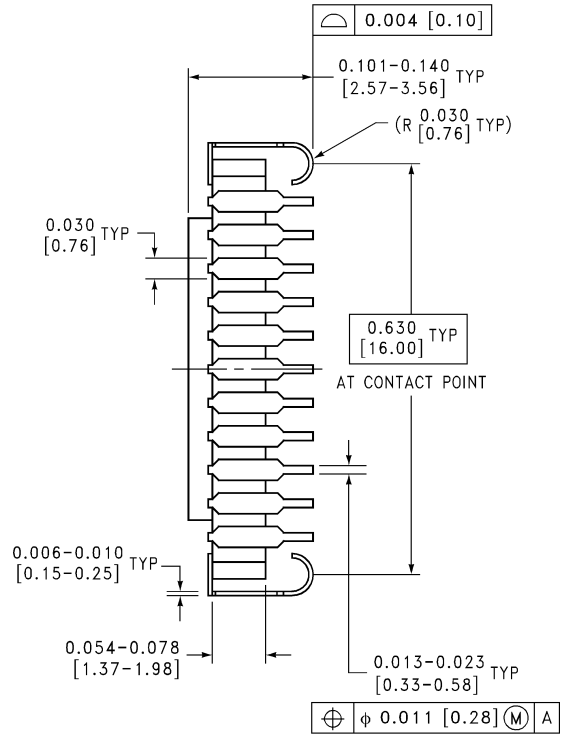
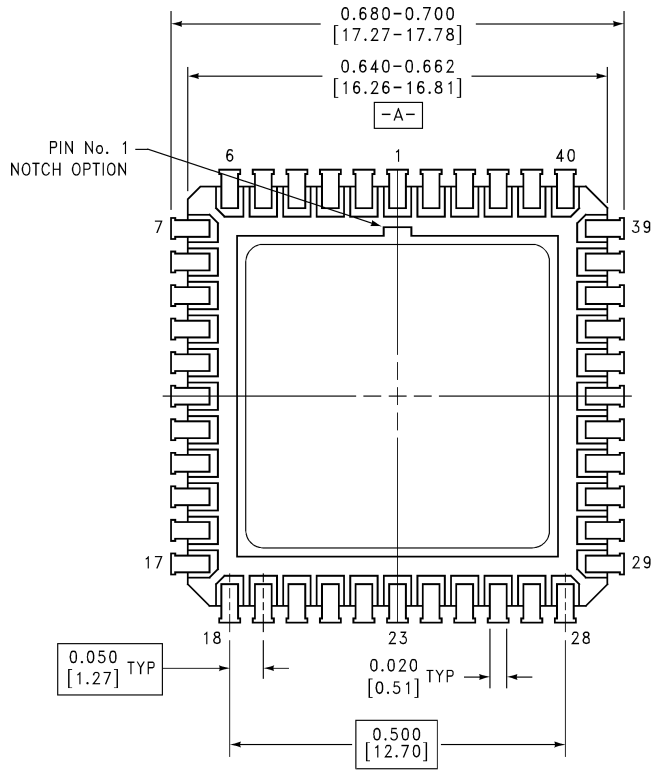
## Ceramic Quad J-Bend (CQJB)

**28 Lead Ceramic Quad J-Bend**  
**NS Package Number EL28A**



Ceramic Quad J-Bend (CQJB)

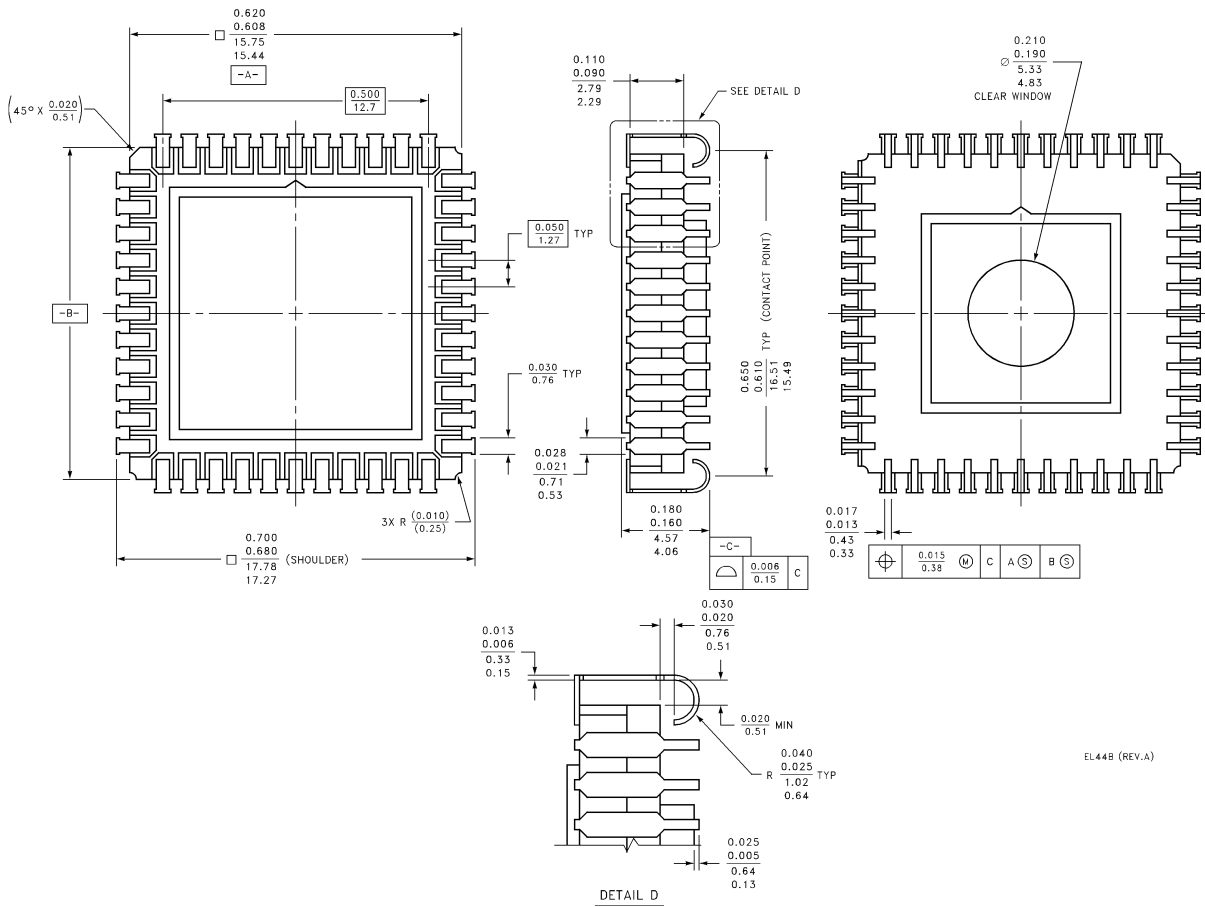
# 44 Lead Ceramic Quad J-Bend NS Package Number EL44A



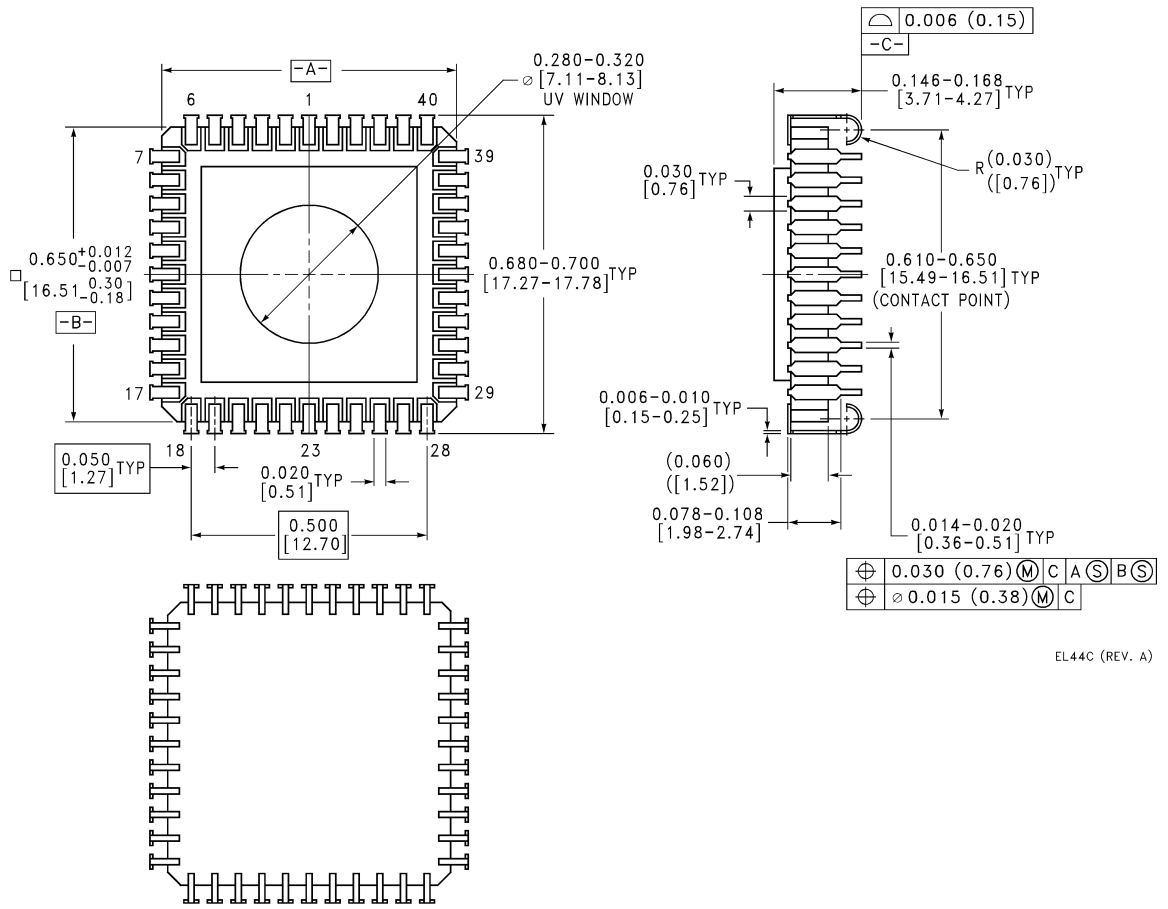
EL44A (REV. D)

# 44 Lead Ceramic Quad J-Bend, Dual Cavity NS Package Number EL44B

Ceramic Quad J-Bend (CAJB)

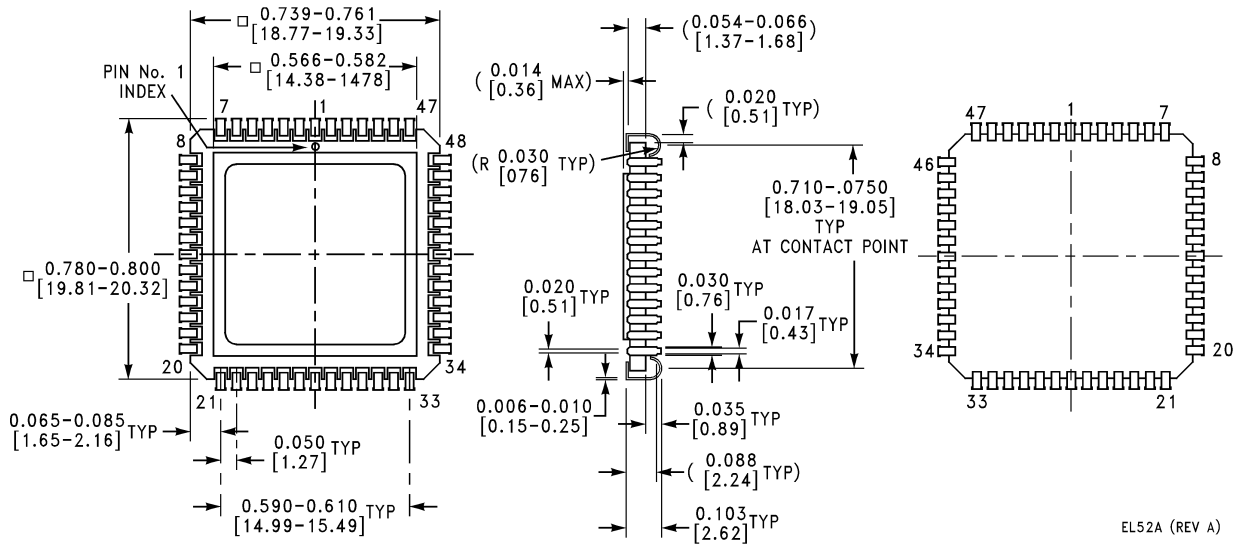


### 44 Lead Ceramic Quad J-Bend, EPROM NS Package Number EL44C



EL44C (REV. A)

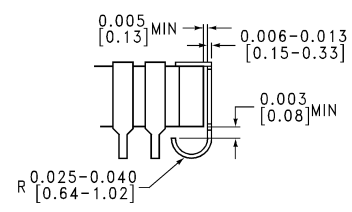
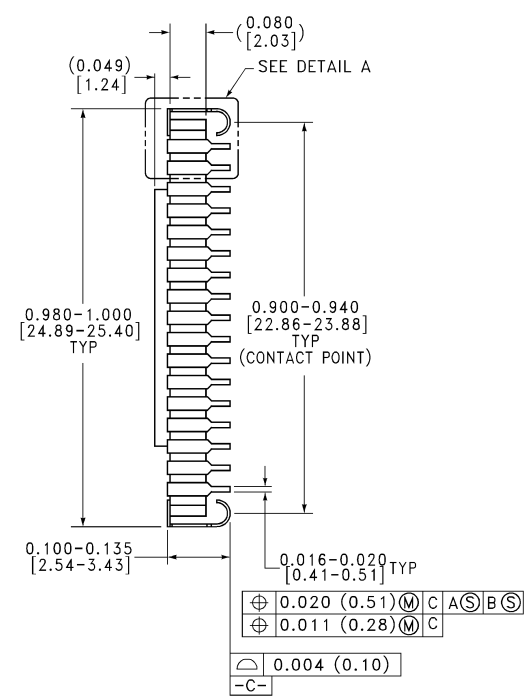
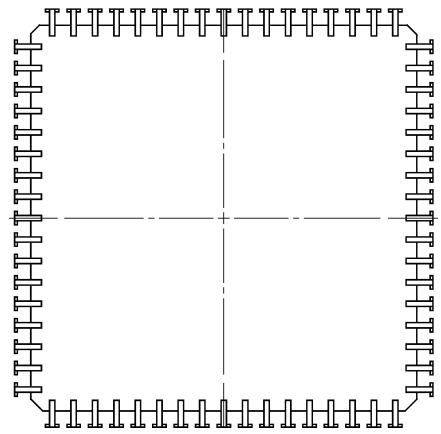
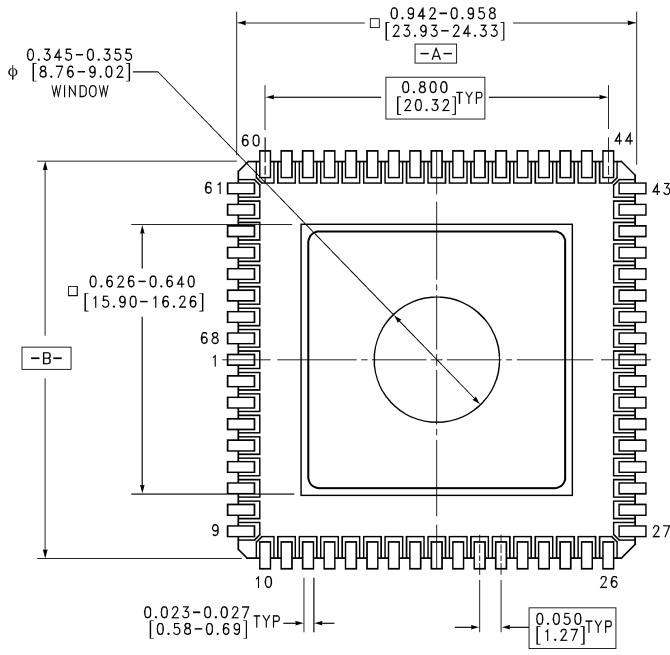
### 52 Lead Ceramic Quad J-Bend NS Package Number EL52A



EL52A (REV. A)

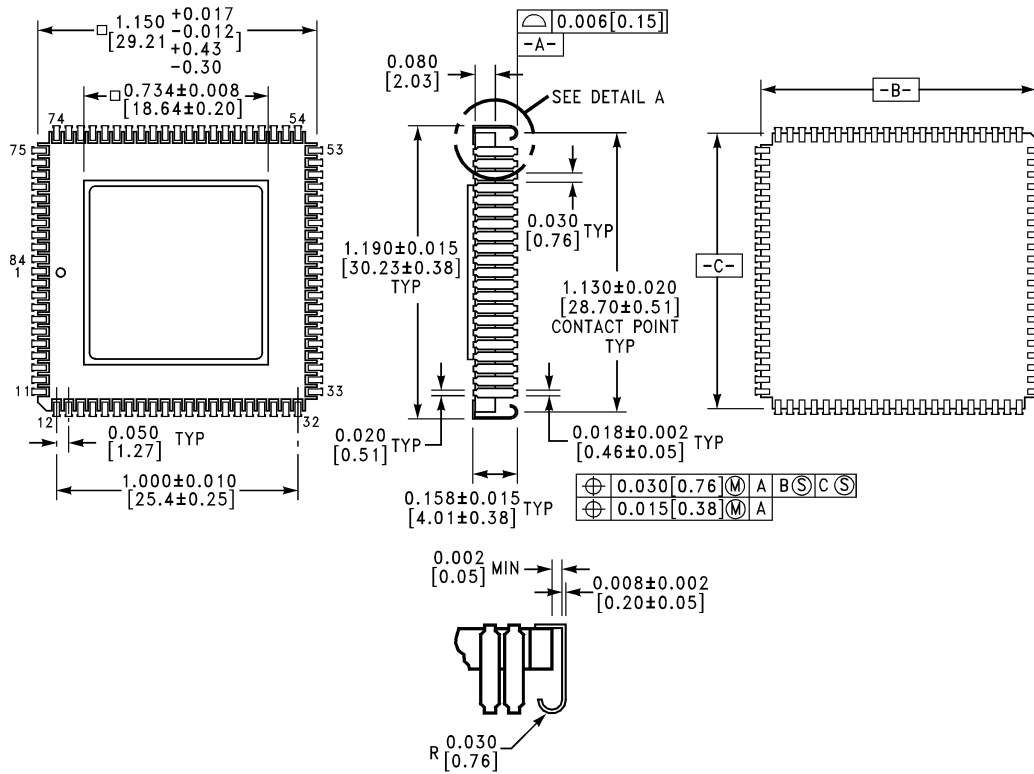


# 68 Lead Ceramic Quad J-Bend, EPROM NS Package Number EL68C



EL68C (REV A)

## 84 Lead Ceramic Quad J-Bend NS Package Number EL84A



**DETAIL A**  
TYPICAL, ROTATED 90°

EL84A (REV A)

### LIFE SUPPORT POLICY

NATIONAL'S PRODUCTS ARE NOT AUTHORIZED FOR USE AS CRITICAL COMPONENTS IN LIFE SUPPORT DEVICES OR SYSTEMS WITHOUT THE EXPRESS WRITTEN APPROVAL OF THE PRESIDENT AND GENERAL COUNSEL OF NATIONAL SEMICONDUCTOR CORPORATION. As used herein:

1. Life support devices or systems are devices or systems which, (a) are intended for surgical implant into the body, or (b) support or sustain life, and whose failure to perform when properly used in accordance with instructions for use provided in the labeling, can be reasonably expected to result in a significant injury to the user.
2. A critical component is any component of a life support device or system whose failure to perform can be reasonably expected to cause the failure of the life support device or system, or to affect its safety or effectiveness.



**National Semiconductor Corporation**  
Americas  
Tel: 1-800-272-9959  
Fax: 1-800-737-7018  
Email: support@nsc.com

www.national.com

**National Semiconductor Europe**

Fax: +49 (0) 1 80-530 85 86  
Email: europe.support@nsc.com  
Deutsch Tel: +49 (0) 1 80-530 85 85  
English Tel: +49 (0) 1 80-532 78 32  
Français Tel: +49 (0) 1 80-532 93 58  
Italiano Tel: +49 (0) 1 80-534 16 80

**National Semiconductor Asia Pacific Customer Response Group**

Tel: 65-2544466  
Fax: 65-2504466  
Email: sea.support@nsc.com

**National Semiconductor Japan Ltd.**

Tel: 81-3-5639-7560  
Fax: 81-3-5639-7507