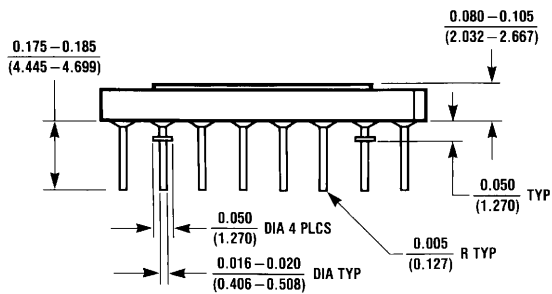
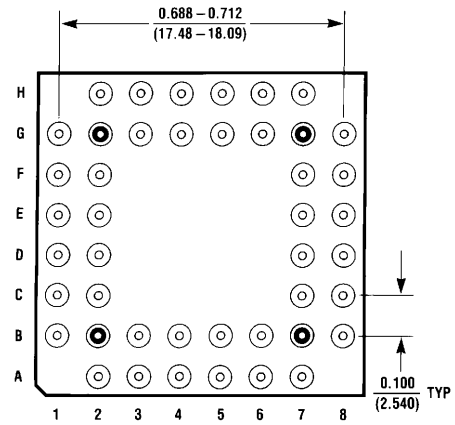
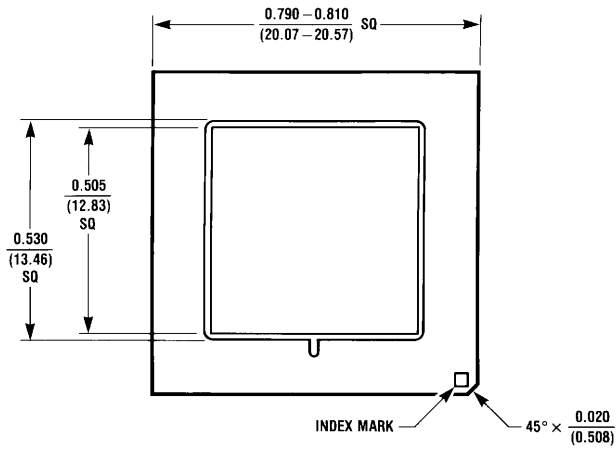


Ceramic Pin Grid Array (CPGA)

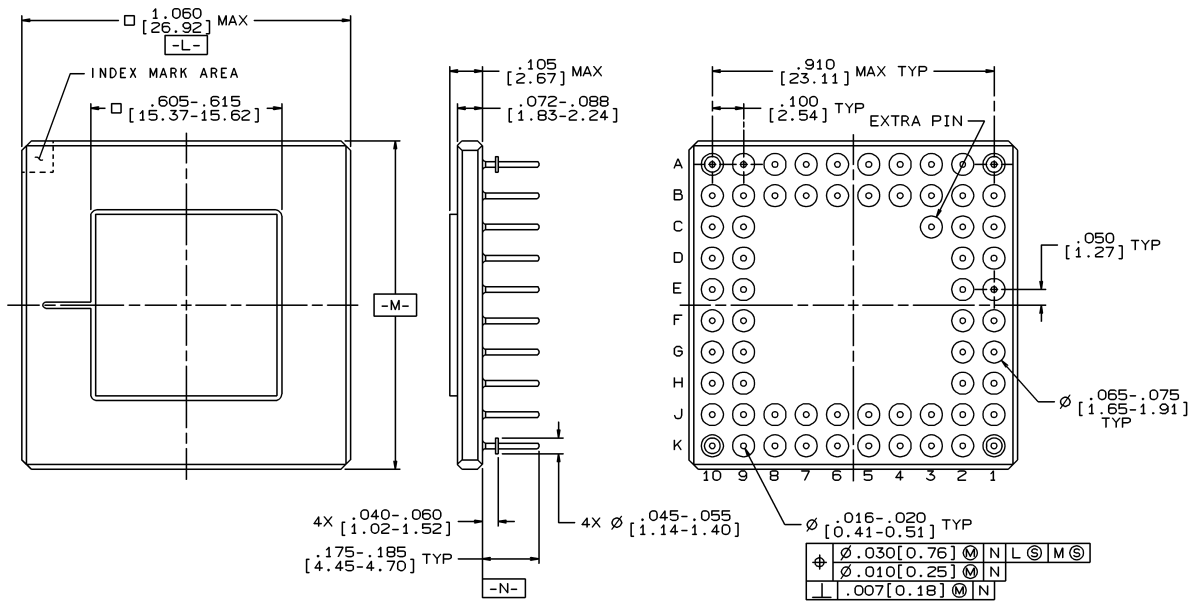
44 Pin Ceramic Pin Grid Array, Cavity Up
NS Package Number U44A



U44A (REV A)

Ceramic Pin Grid Array (CPGA)

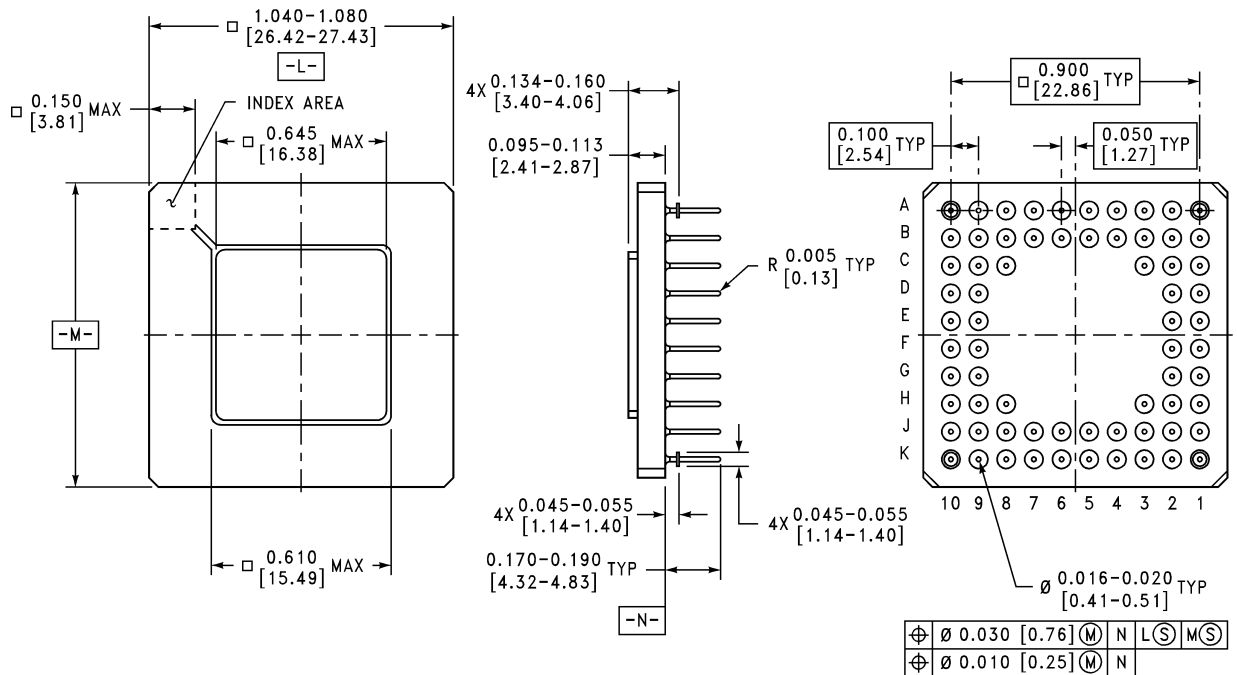
65 Pin Ceramic Pin Grid Array NS Package Number UA65A



CONTROLLING DIMENSION IS INCH
VALUES IN [] ARE MILLIMETERS

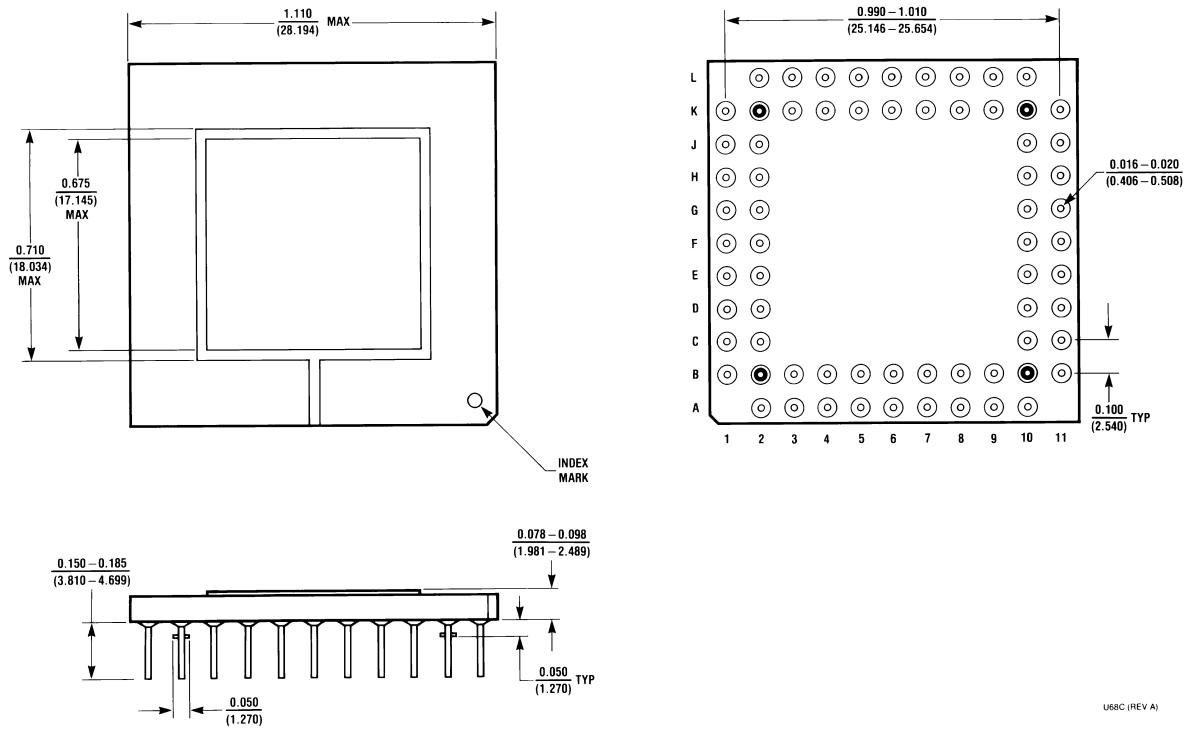
UA65A (Rev A)

68 Pin Ceramic Pin Grid Array, Cavity Up NS Package Number U68B

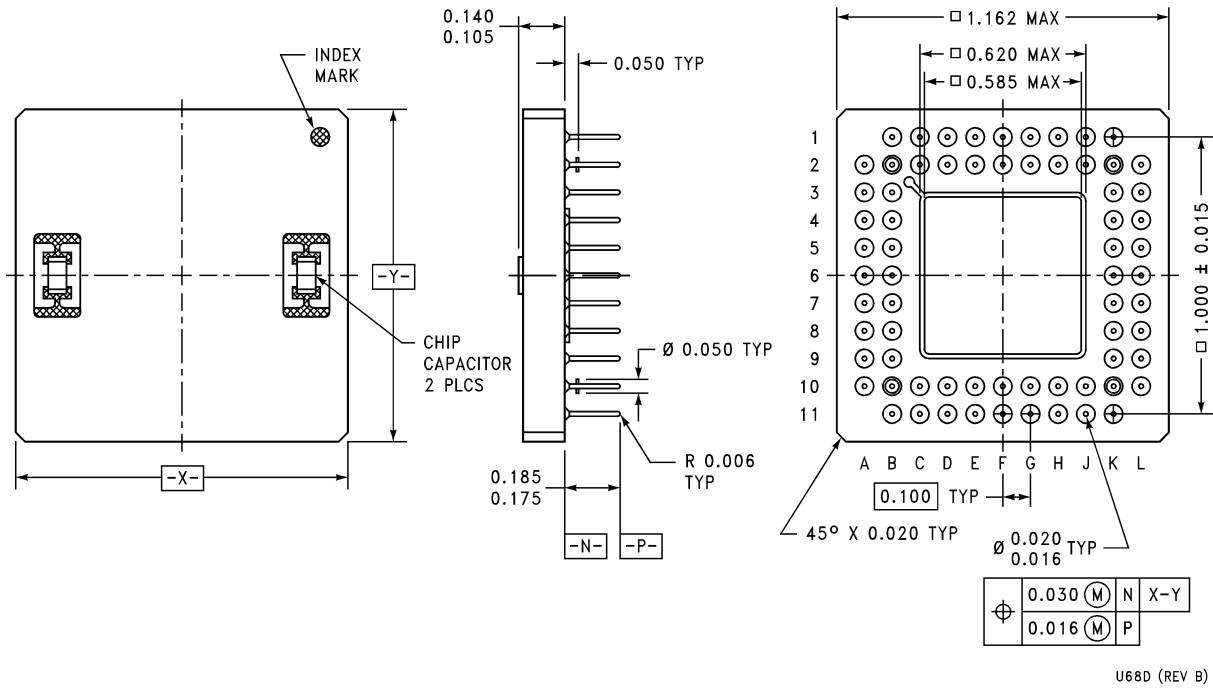


U68B (REV D)

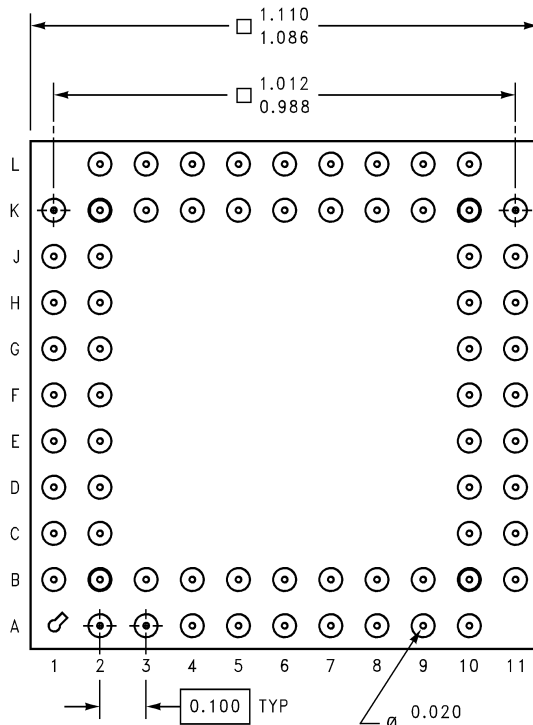
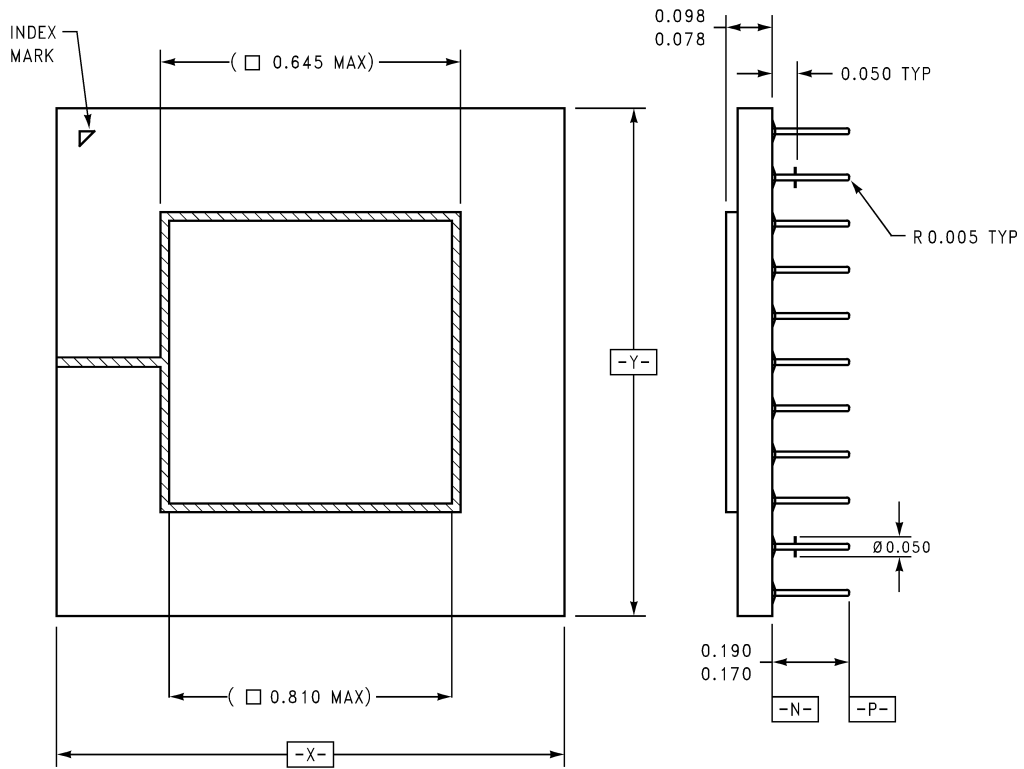
68 Pin Ceramic Pin Grid Array NS Package Number U68C



68 Pin Ceramic Pin Grid Array NS Package Number U68D



68 Pin Ceramic Pin Grid Array, Cavity Up NS Package Number U68E



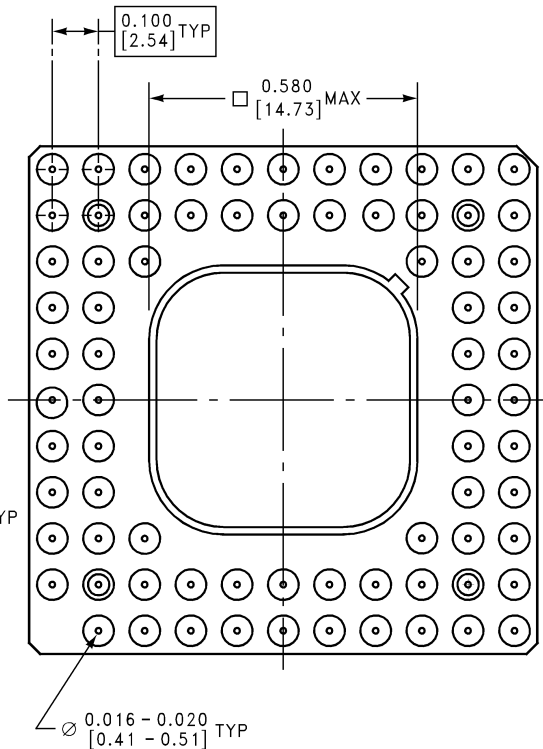
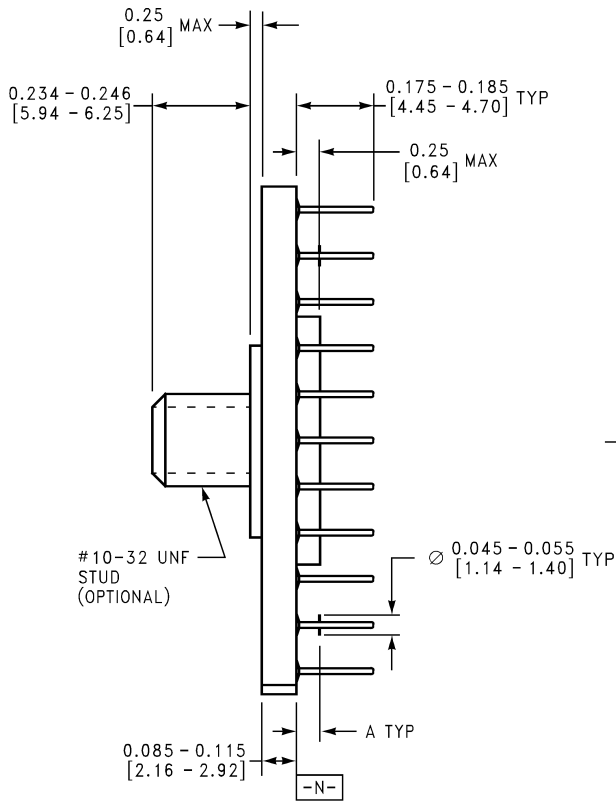
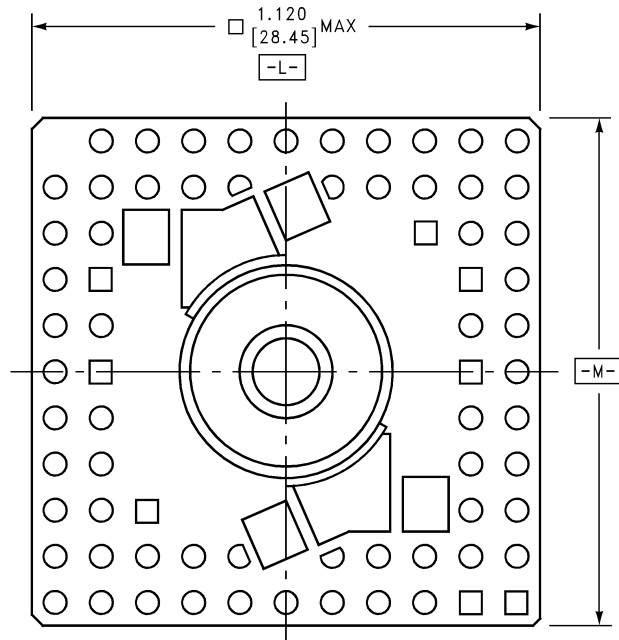
⊕	0.030 (M)	N	X-Y
	0.016 (M)	P	

U68E (REV B)

75 Pin Ceramic Pin Grid Array NS Package Number U75A

Ceramic Pin Grid Array (CPGA)

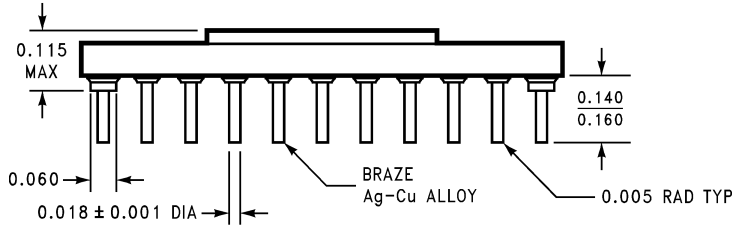
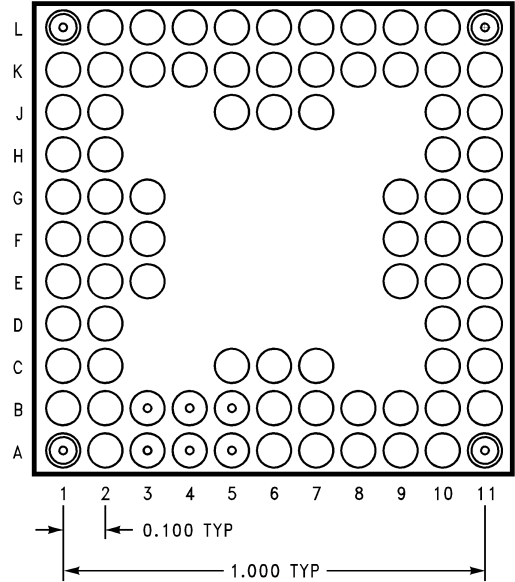
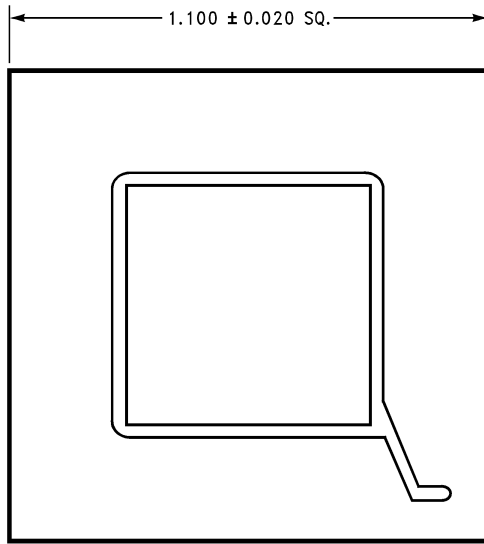
01	.025-.035 [0.6< -0.89]
	DIM A



⊕	∅ 0.030 [0.76]	(M)	N	L (S)	M (S)
⊕	∅ 0.010 [0.25]	(M)	N		

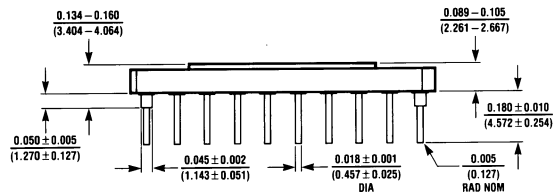
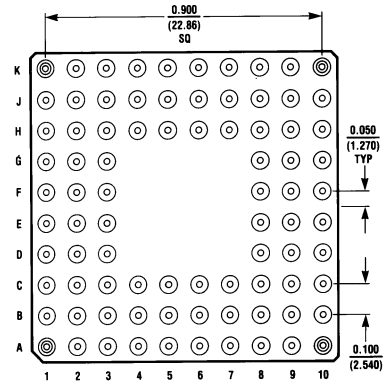
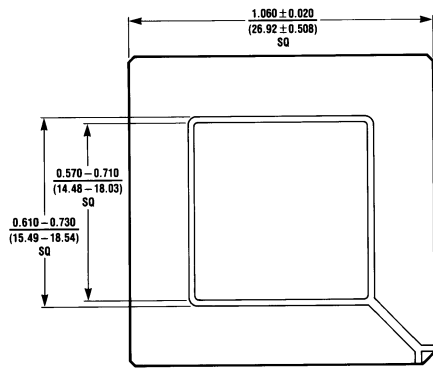
U75A (REV B)

84 Pin Ceramic Pin Grid Array NS Package Number U84A



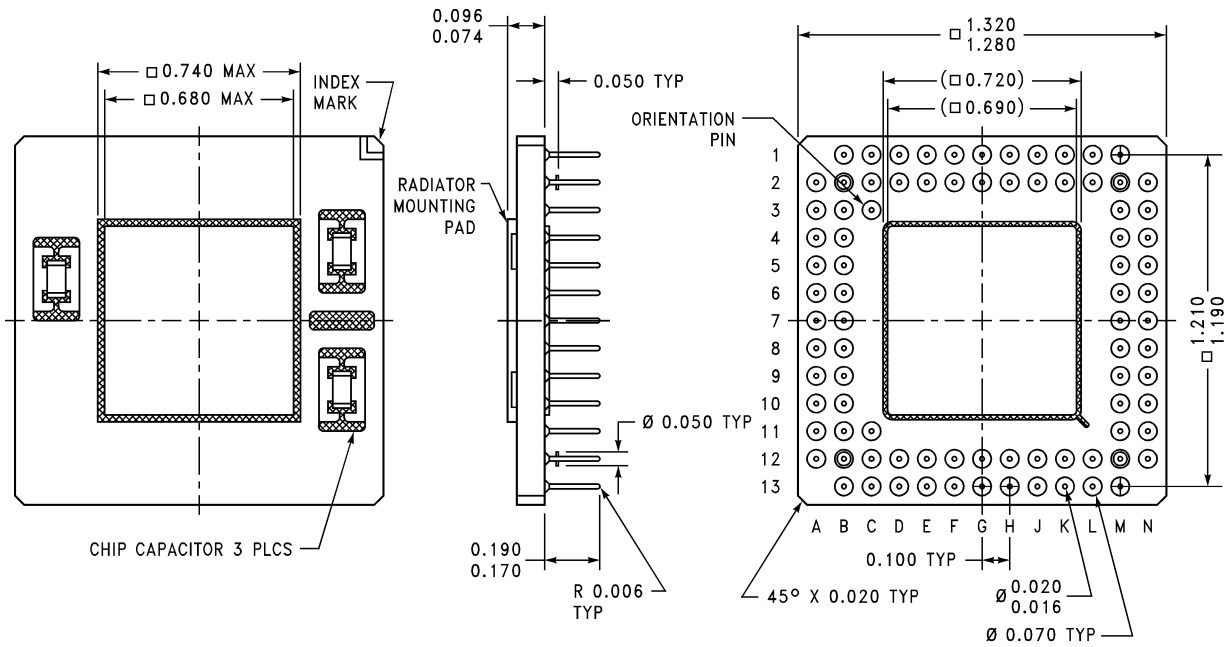
U84A (REV A)

84 Pin Ceramic Pin Grid Array NS Package Number U84B



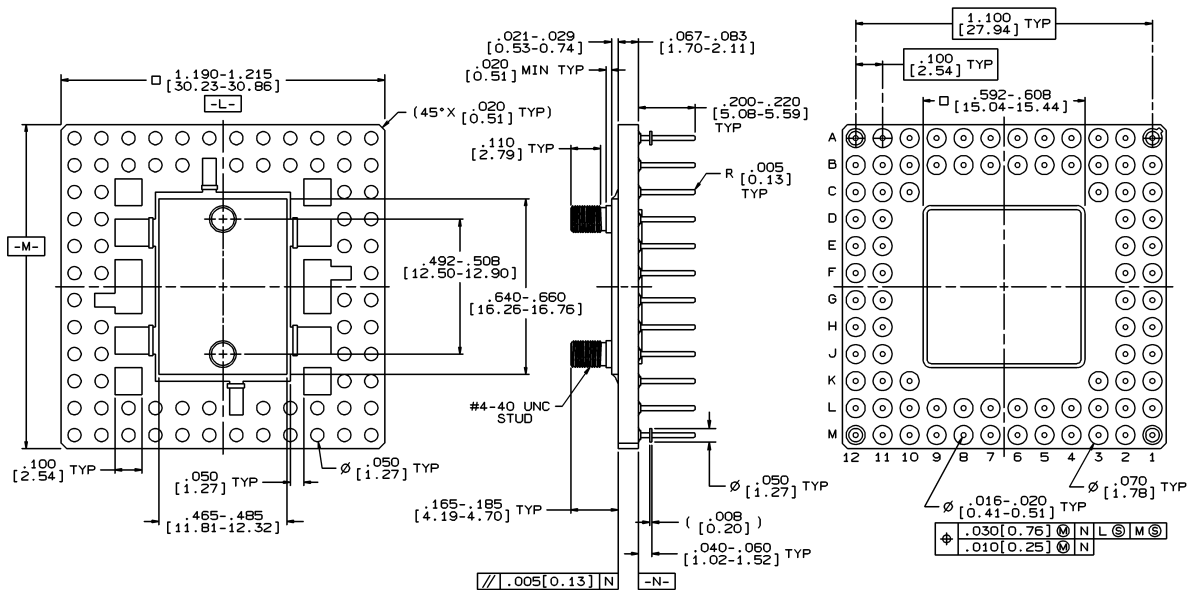
U84B (REV A)

84 Pin Ceramic Pin Grid Array NS Package Number U84C



U84C (REV C)

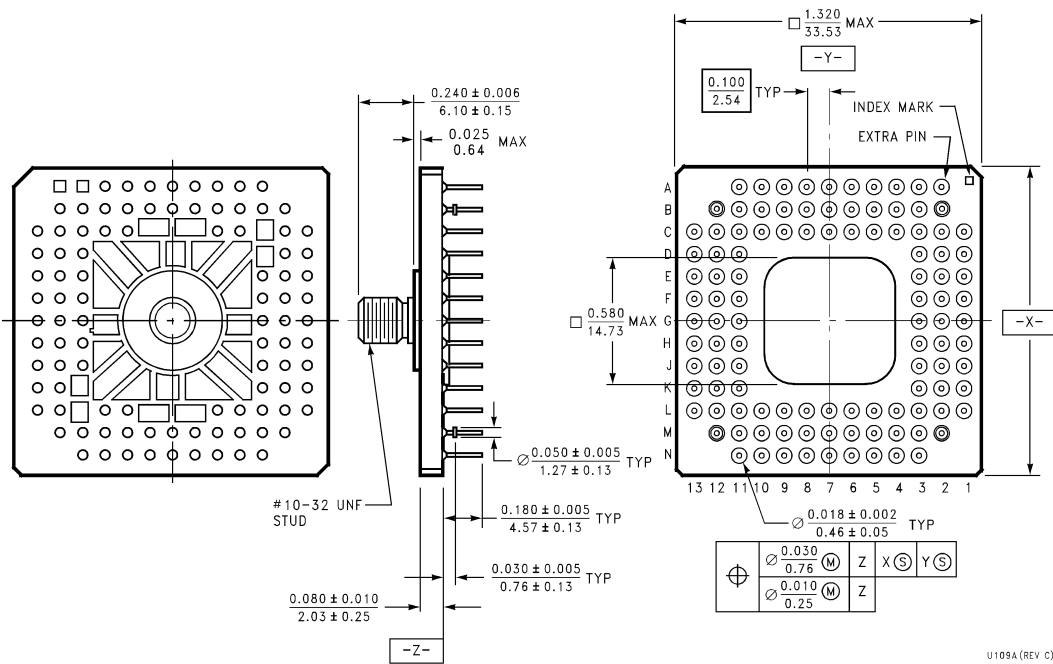
84 Pin Ceramic Pin Grid Array NS Package Number UA84E



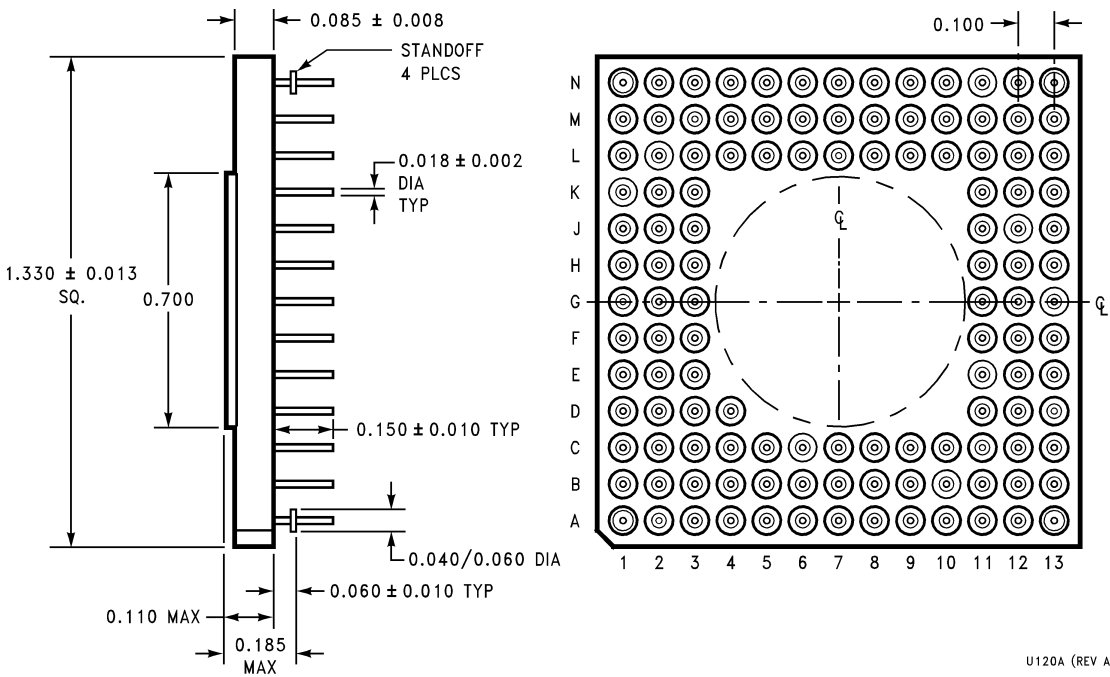
CONTROLLING DIMENSION IS INCH
VALUES IN [] ARE MILLIMETERS

UA84E (Rev A)

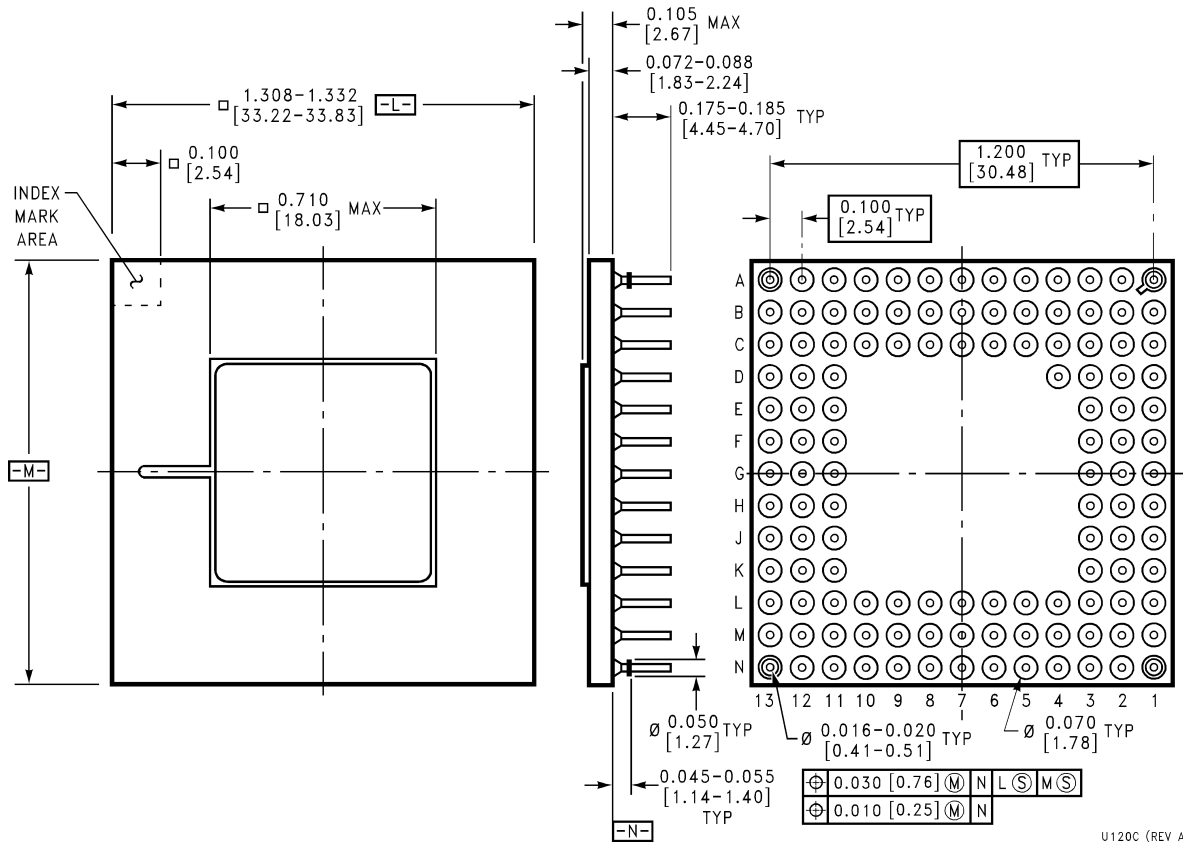
109 Pin Ceramic Pin Grid Array NS Package Number U109A



120 Pin Ceramic Pin Grid Array NS Package Number U120A

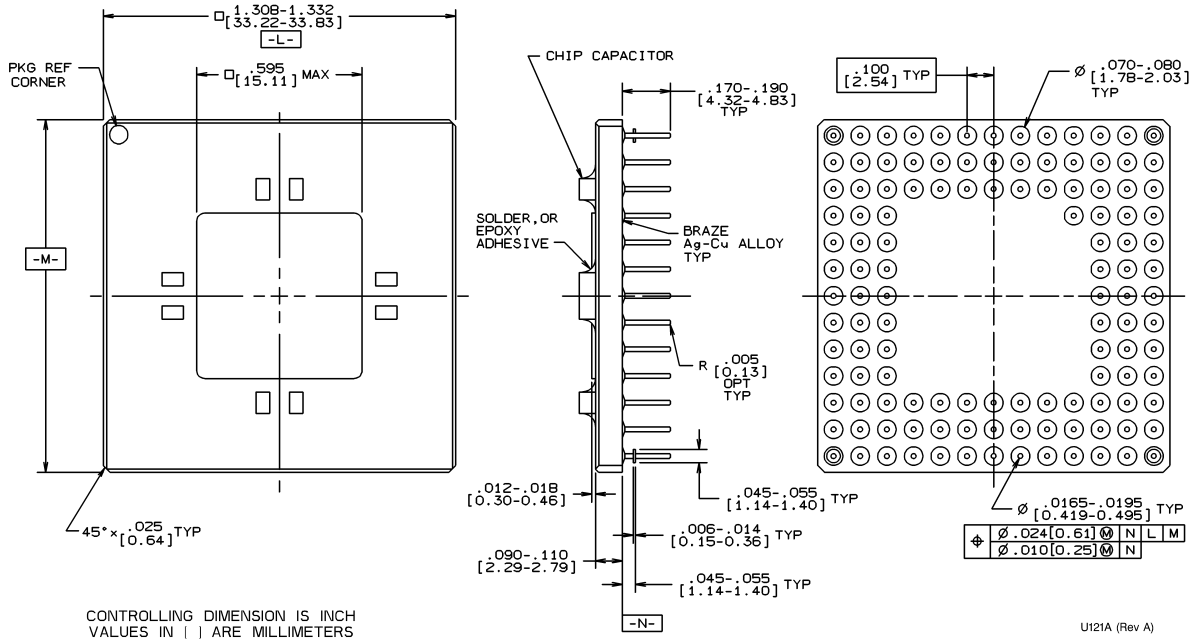


120 Pin Ceramic Pin Grid Array, Cavity Up NS Package Number U120C



U120C (REV A)

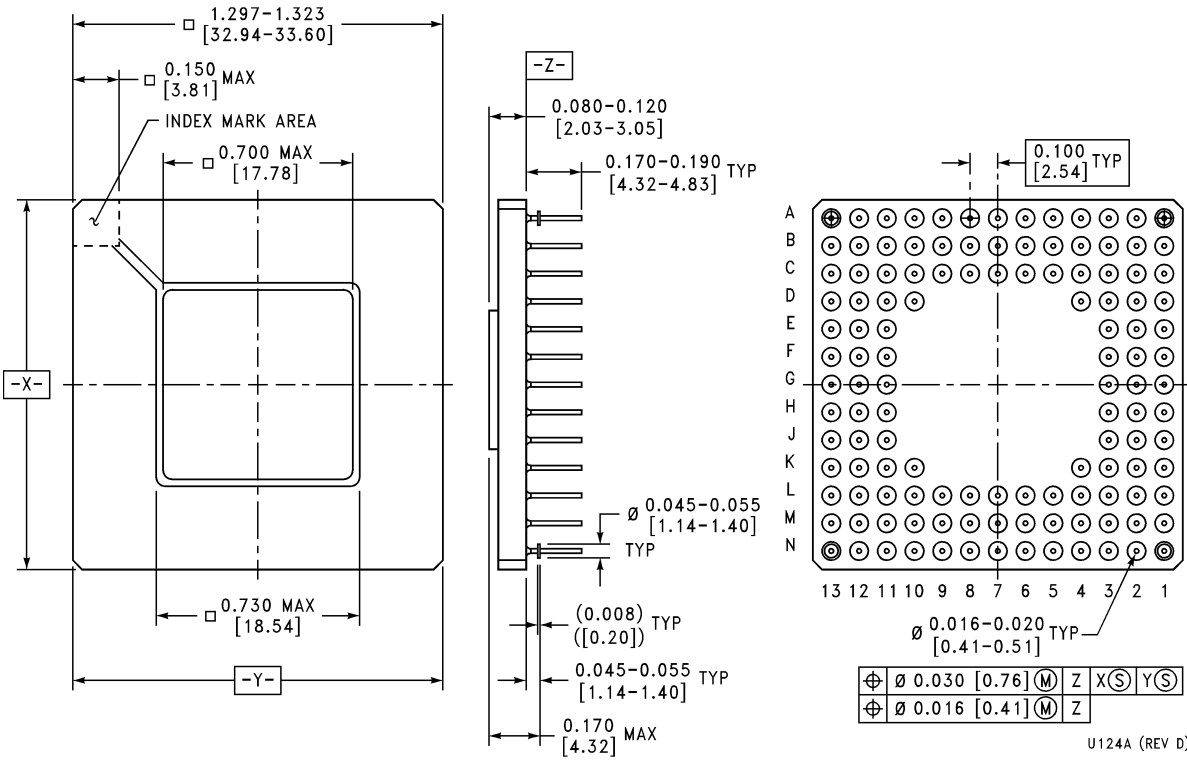
121 Pin Ceramic Pin Grid Array NS Package Number U121A



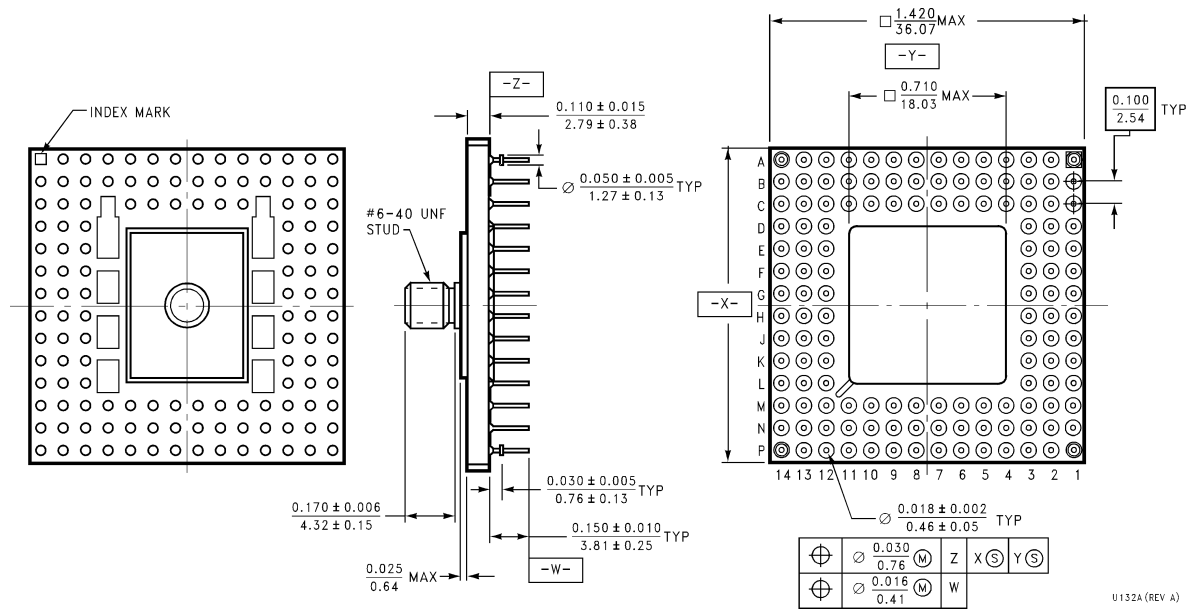
CONTROLLING DIMENSION IS INCH
VALUES IN () ARE MILLIMETERS

U121A (Rev A)

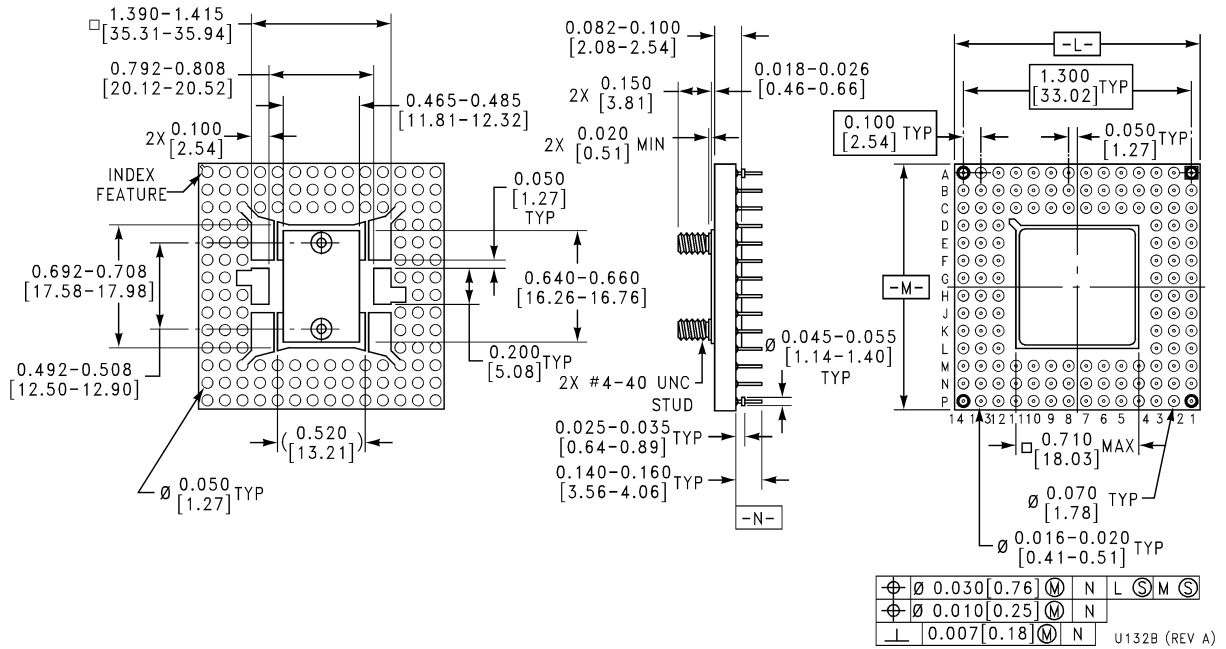
124 Pin Ceramic Pin Grid Array, Cavity Up NS Package Number U124A



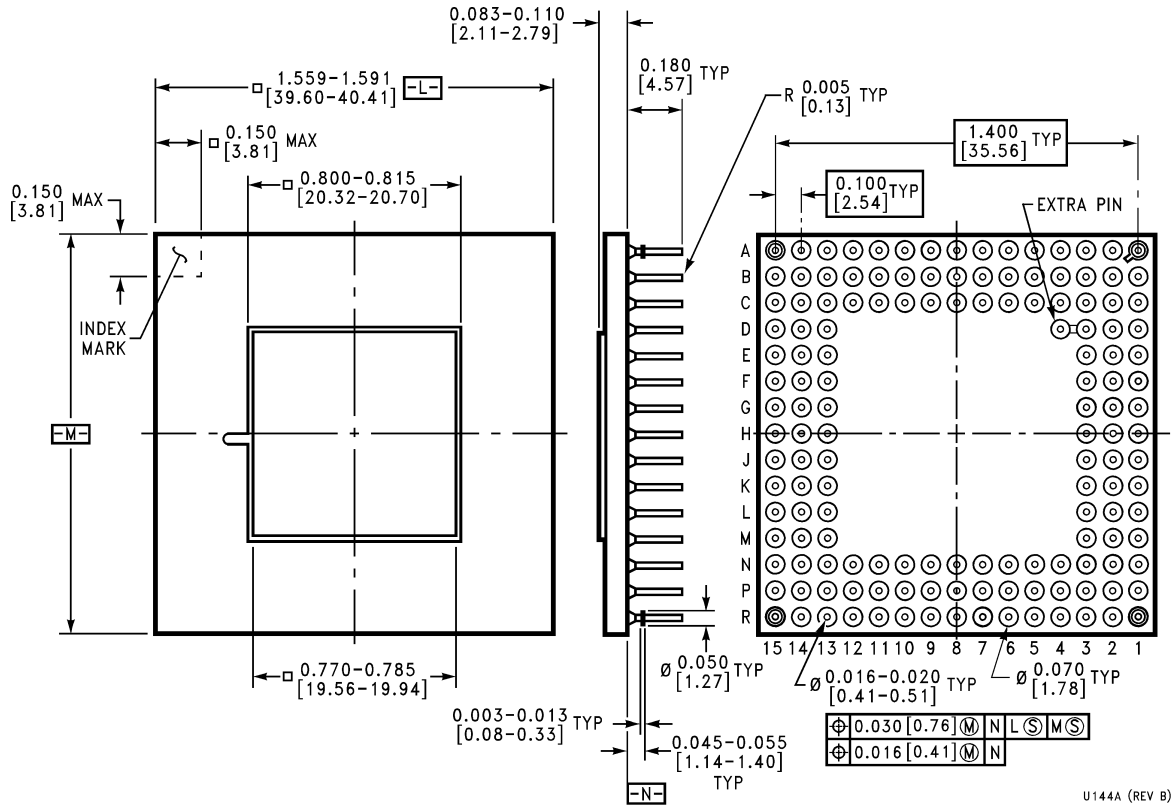
132 Pin Ceramic Pin Grid Array NS Package Number U132A



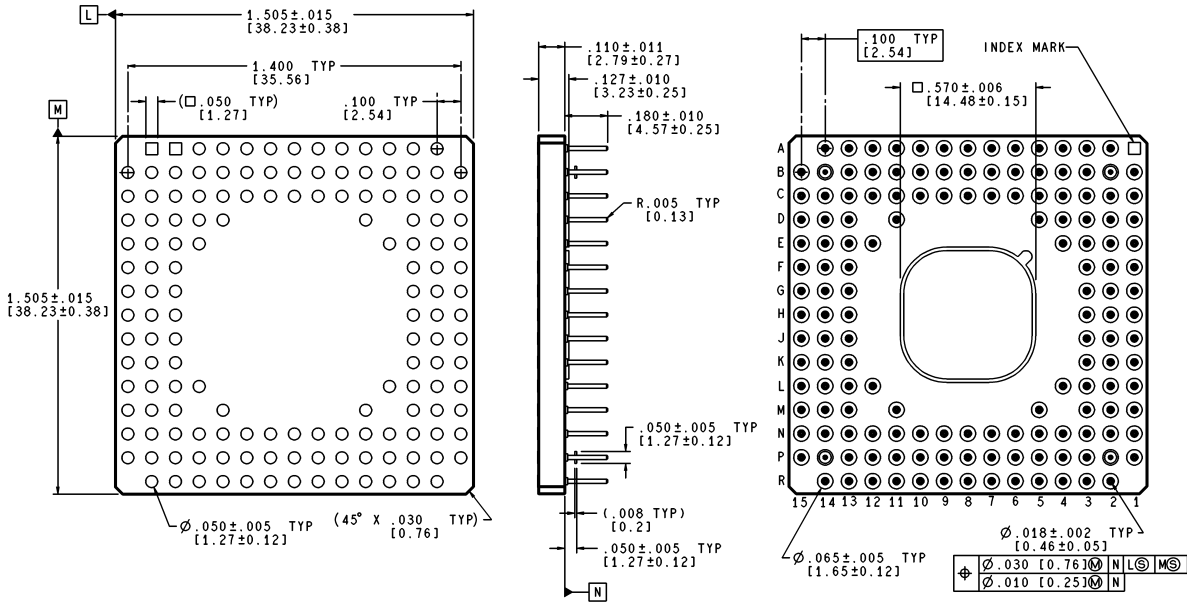
132 Pin Ceramic Pin Grid Array NS Package Number U132B



144 Pin Ceramic Pin Grid Array, Cavity Up NS Package Number U144A



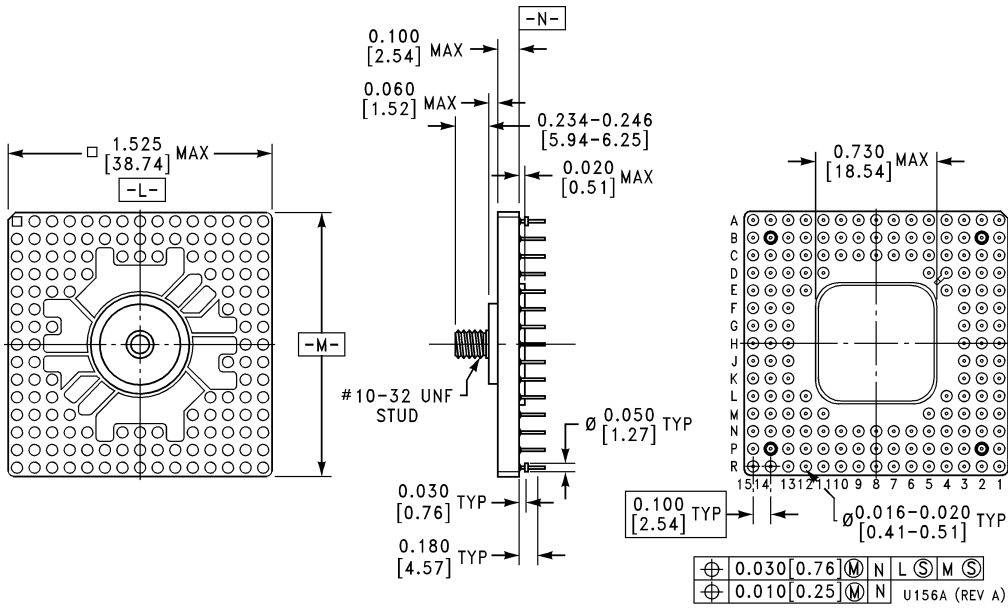
149 Pin Ceramic Pin Grid Array NS Package Number UA149A



CONTROLLING DIMENSION IS INCH
VALUES IN [] ARE MILLIMETERS

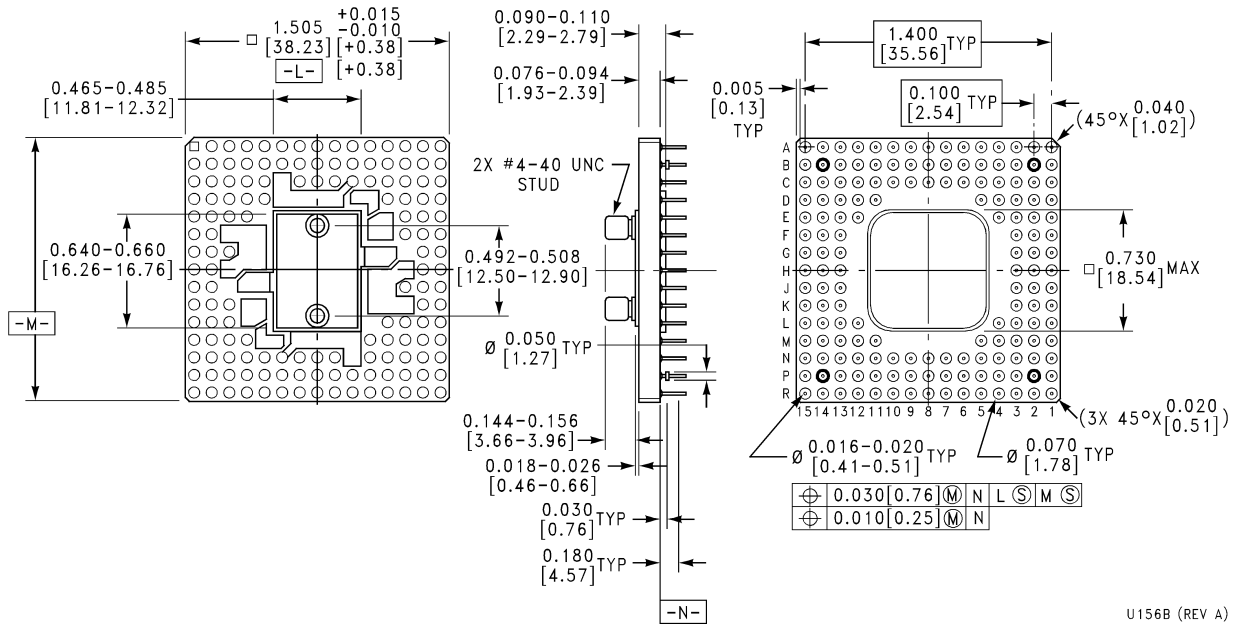
UA149A (Rev A)

156 Pin Ceramic Pin Grid Array NS Package Number U156A



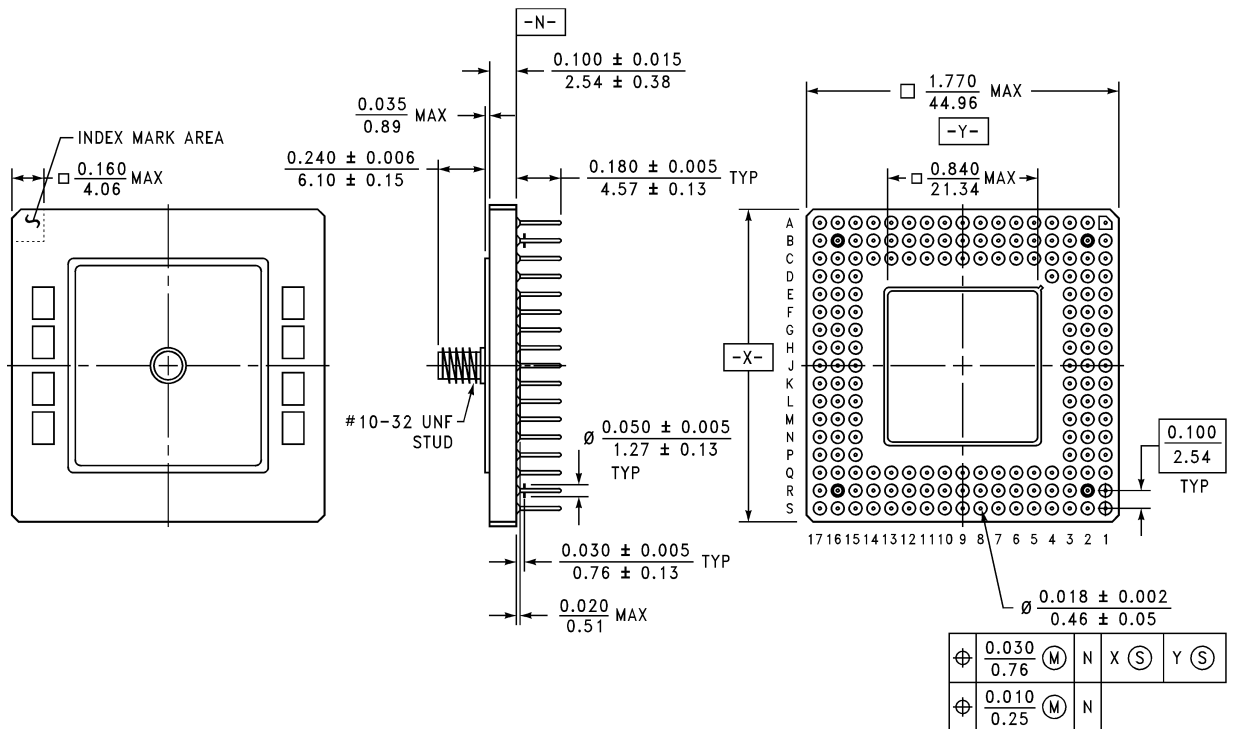
U156A (REV A)

156 Pin Ceramic Pin Grid Array NS Package Number U156B



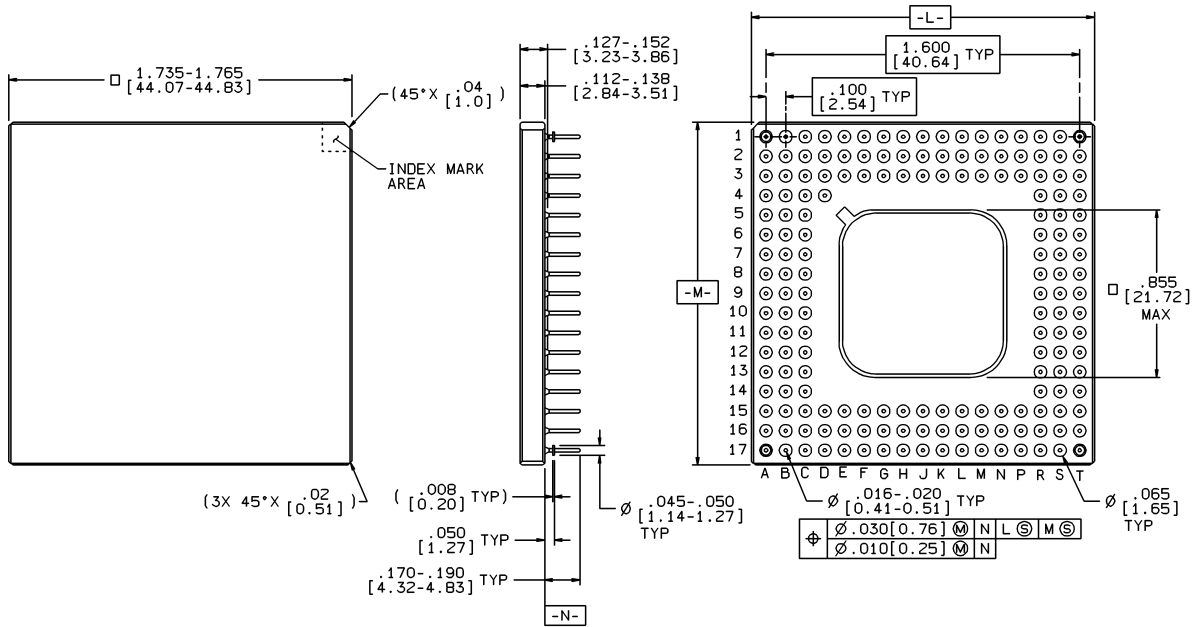
U156B (REV A)

169 Pin Ceramic Pin Grid Array NS Package Number U169A



U169A (REV B)

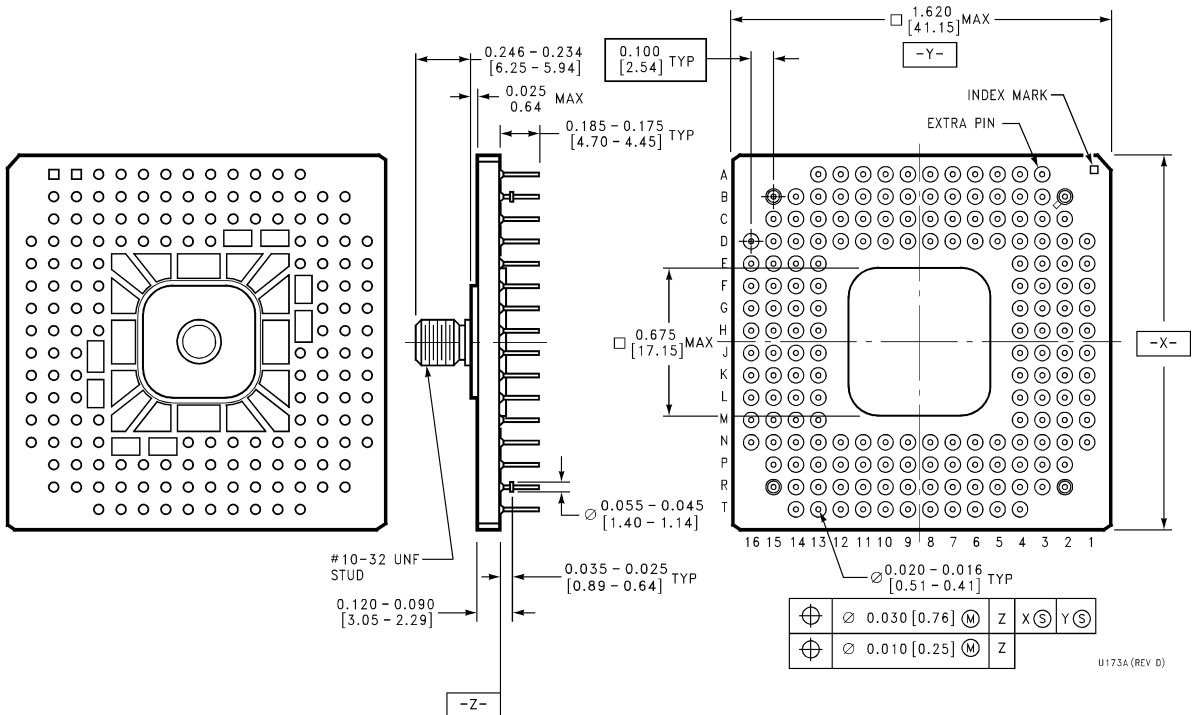
169 Pin Ceramic Pin Grid Array NS Package Number UA169A



CONTROLLING DIMENSION IS INCH
VALUES IN [] ARE MILLIMETERS

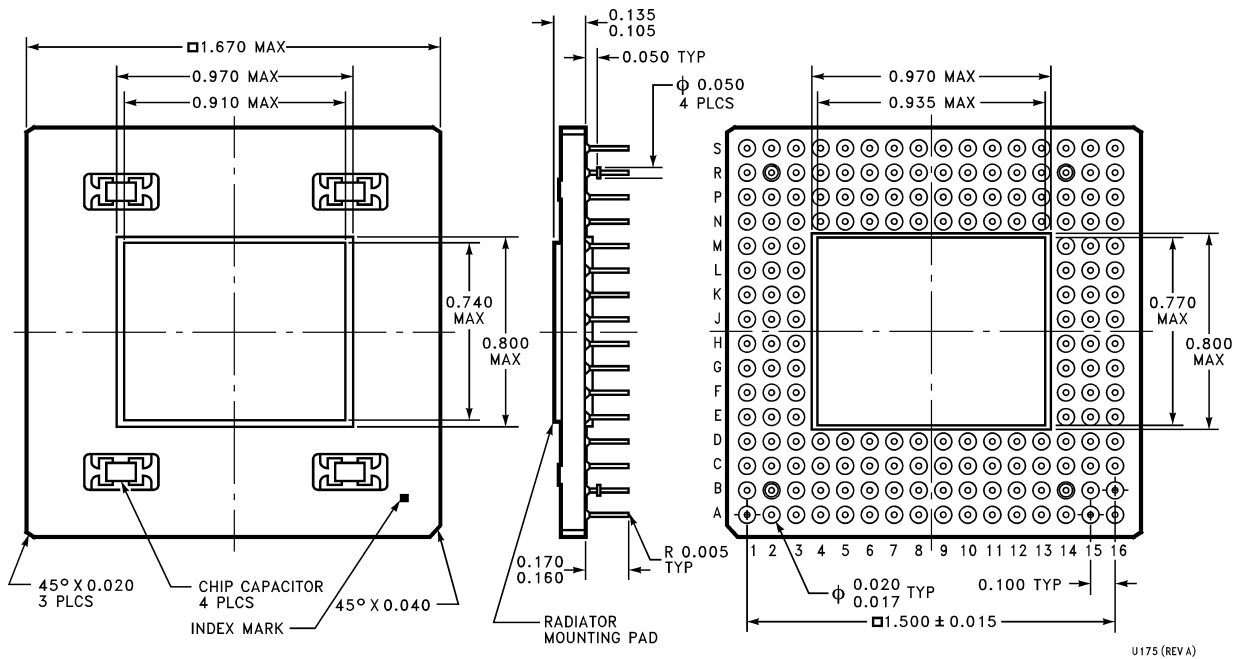
UA169A (Rev A)

173 Pin Ceramic Pin Grid Array NS Package Number U173A

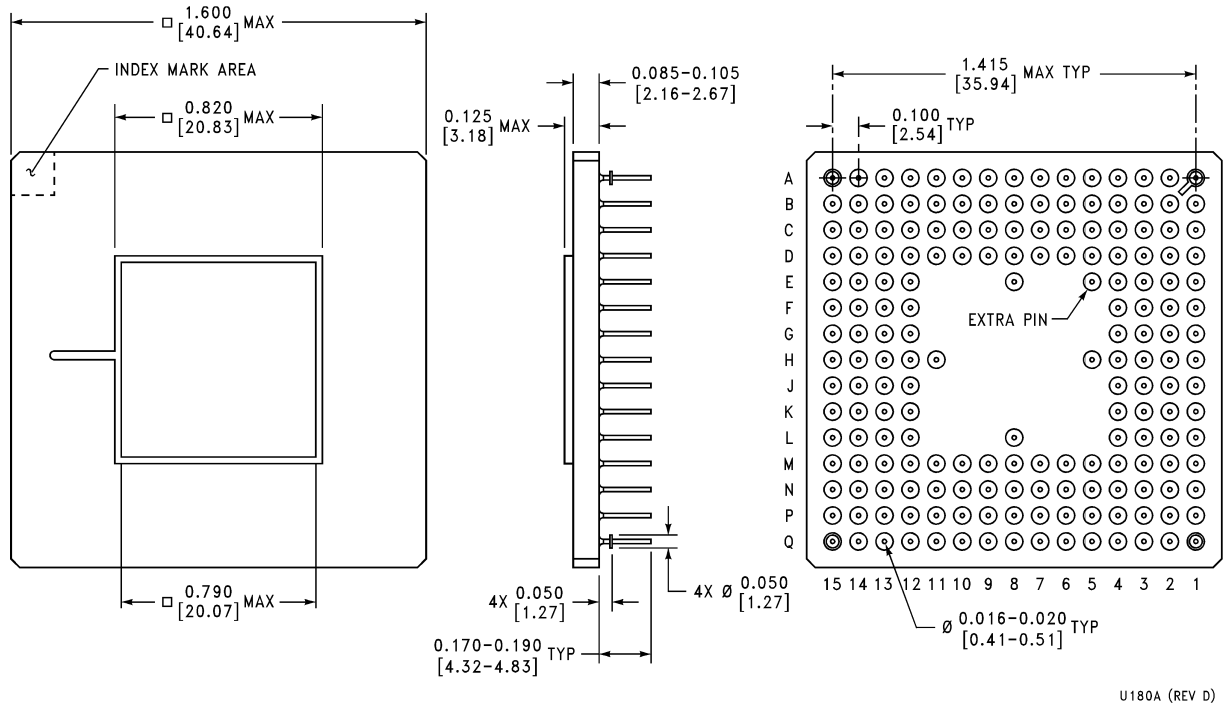


U173A (REV D)

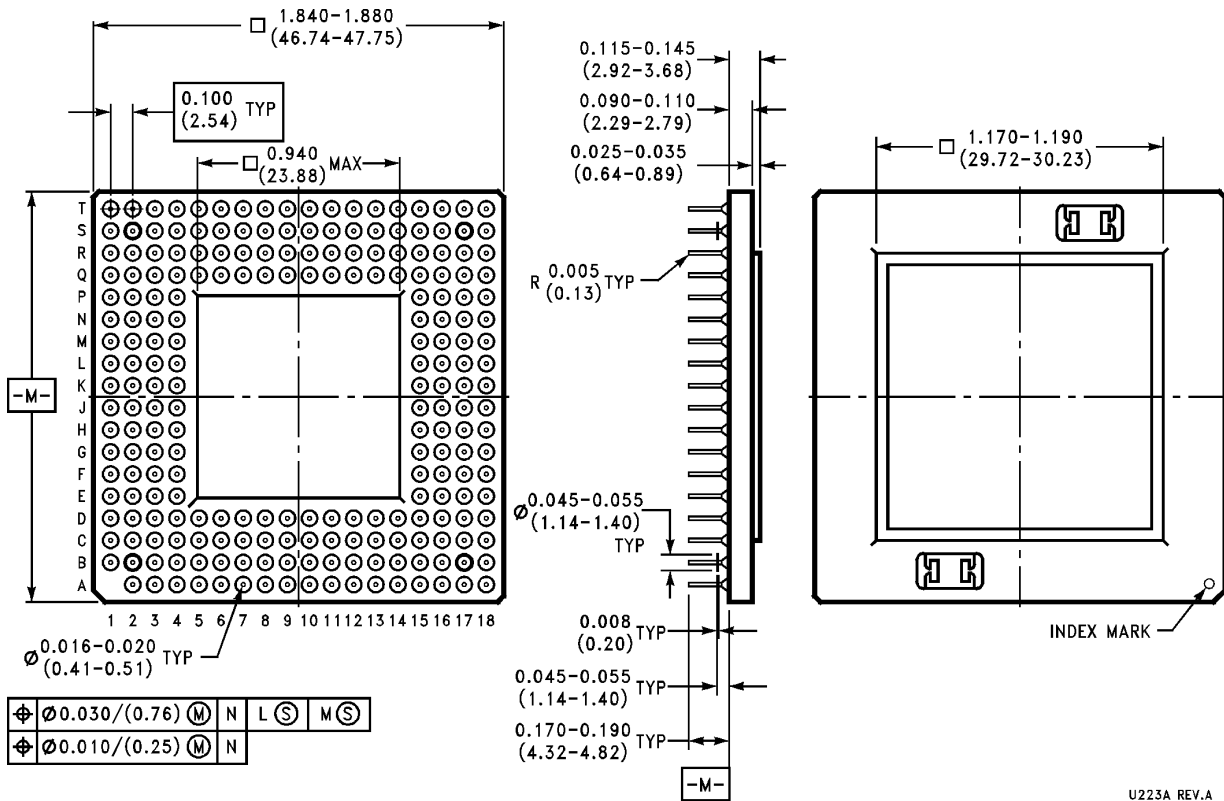
175 Pin Ceramic Pin Grid Array NS Package Number U175A



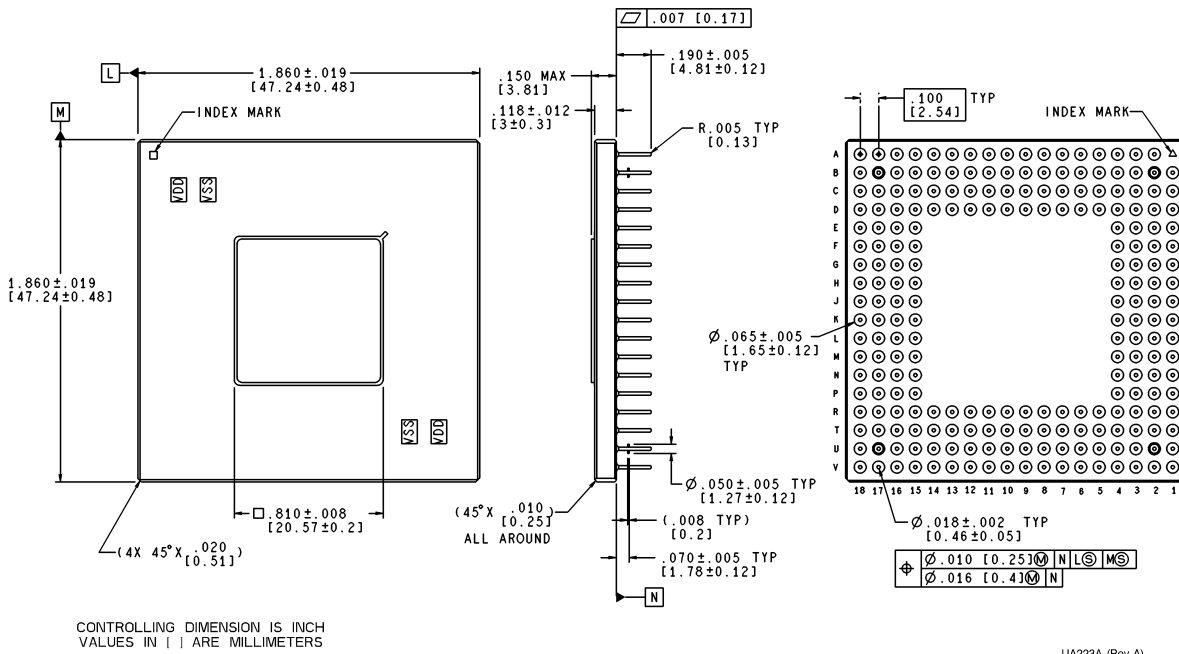
180 Pin Ceramic Pin Grid Array NS Package Number U180A



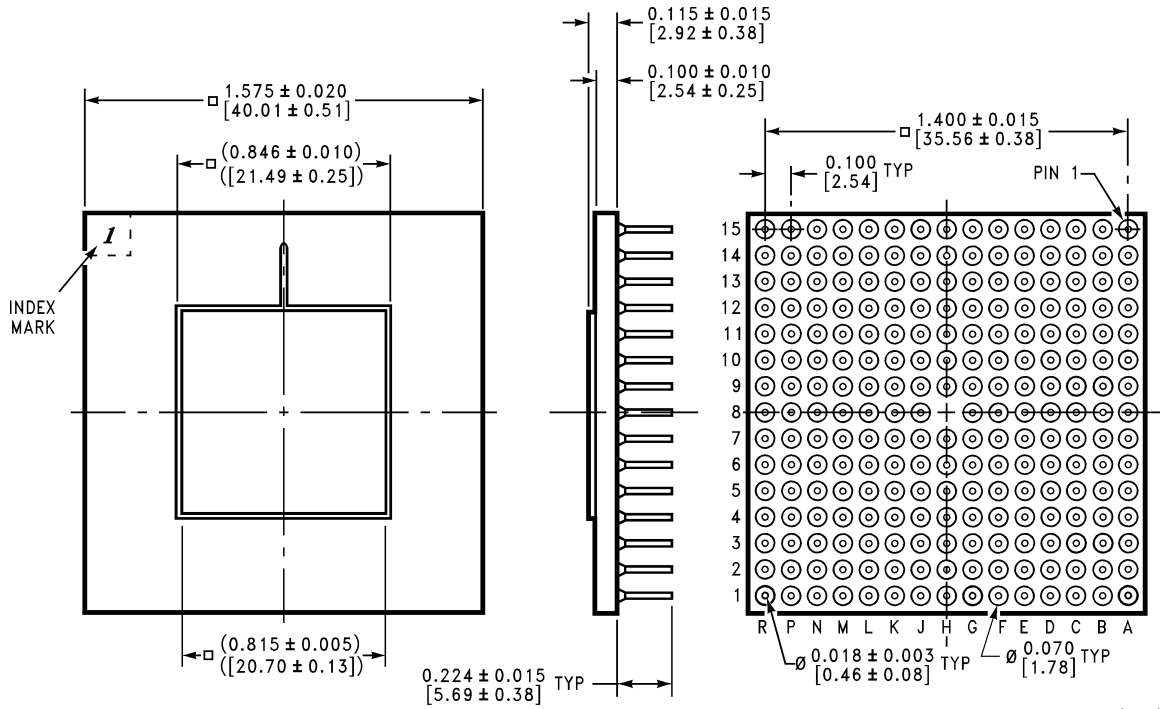
223 Pin Ceramic Pin Grid Array NS Package Number U223A



223 Pin Ceramic Pin Grid Array NS Package Number UA223A

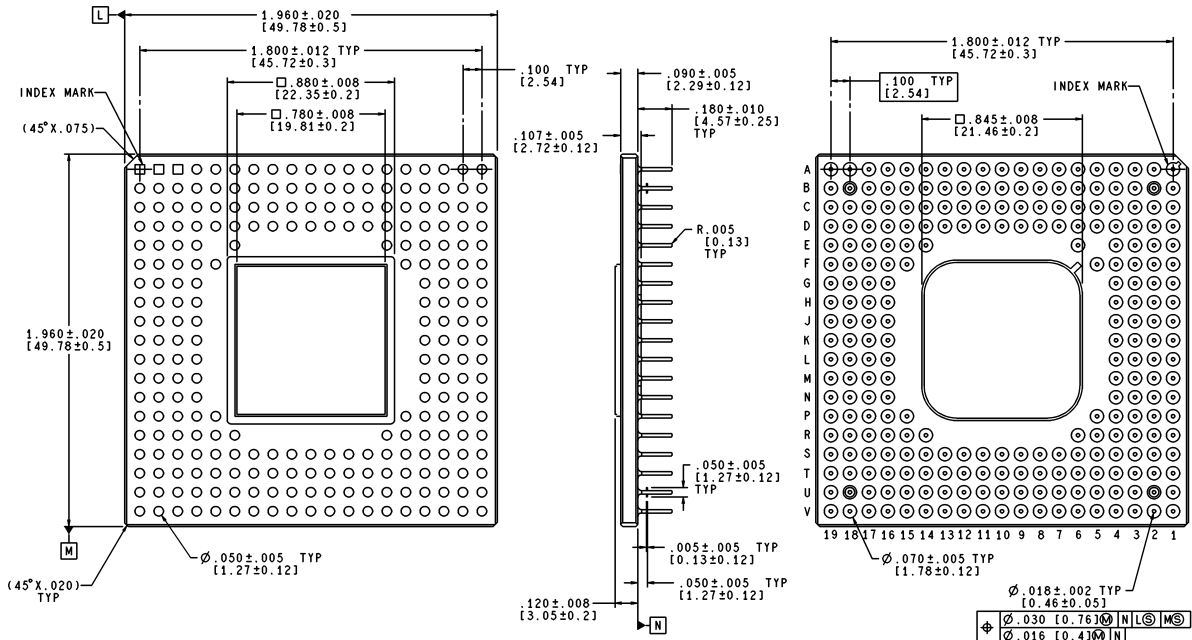


224 Pin Ceramic Pin Grid Array, Cavity Up NS Package Number U224A



U224A (REV B)

251 Pin Ceramic Pin Grid Array NS Package Number UA251A

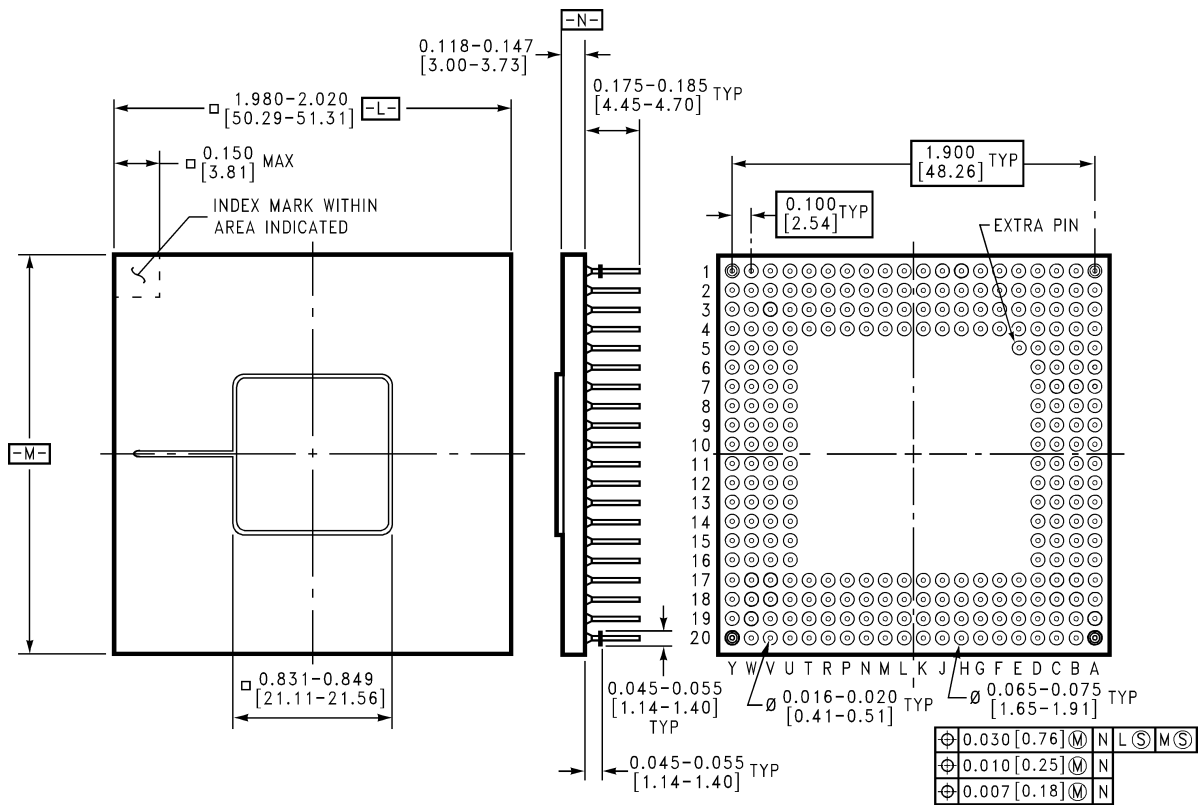


CONTROLLING DIMENSION IS INCH
VALUES IN [] ARE MILLIMETERS

UA251A (Rev A)

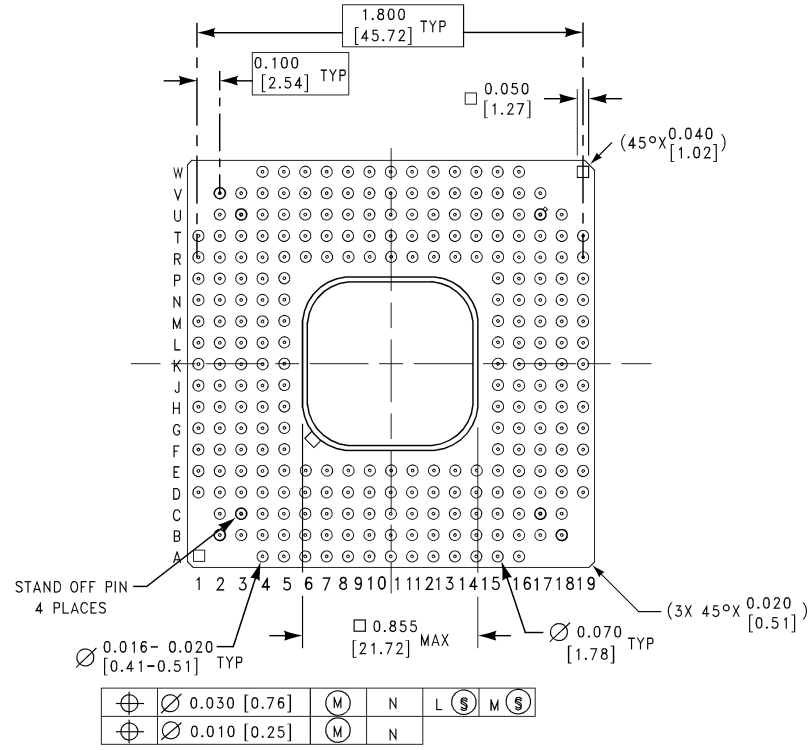
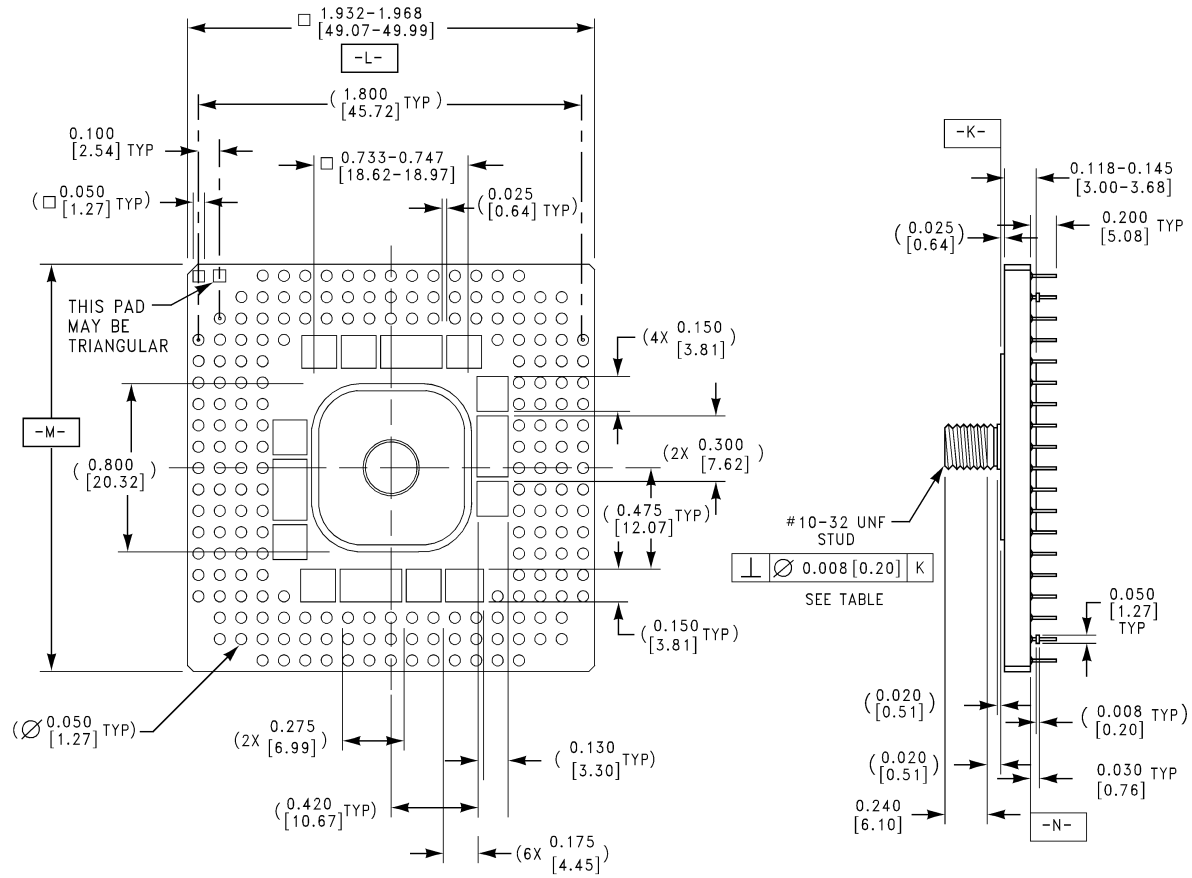
257 Pin Ceramic Pin Grid Array, Cavity Up NS Package Number U257A

Ceramic Pin Grid Array (CPGA)



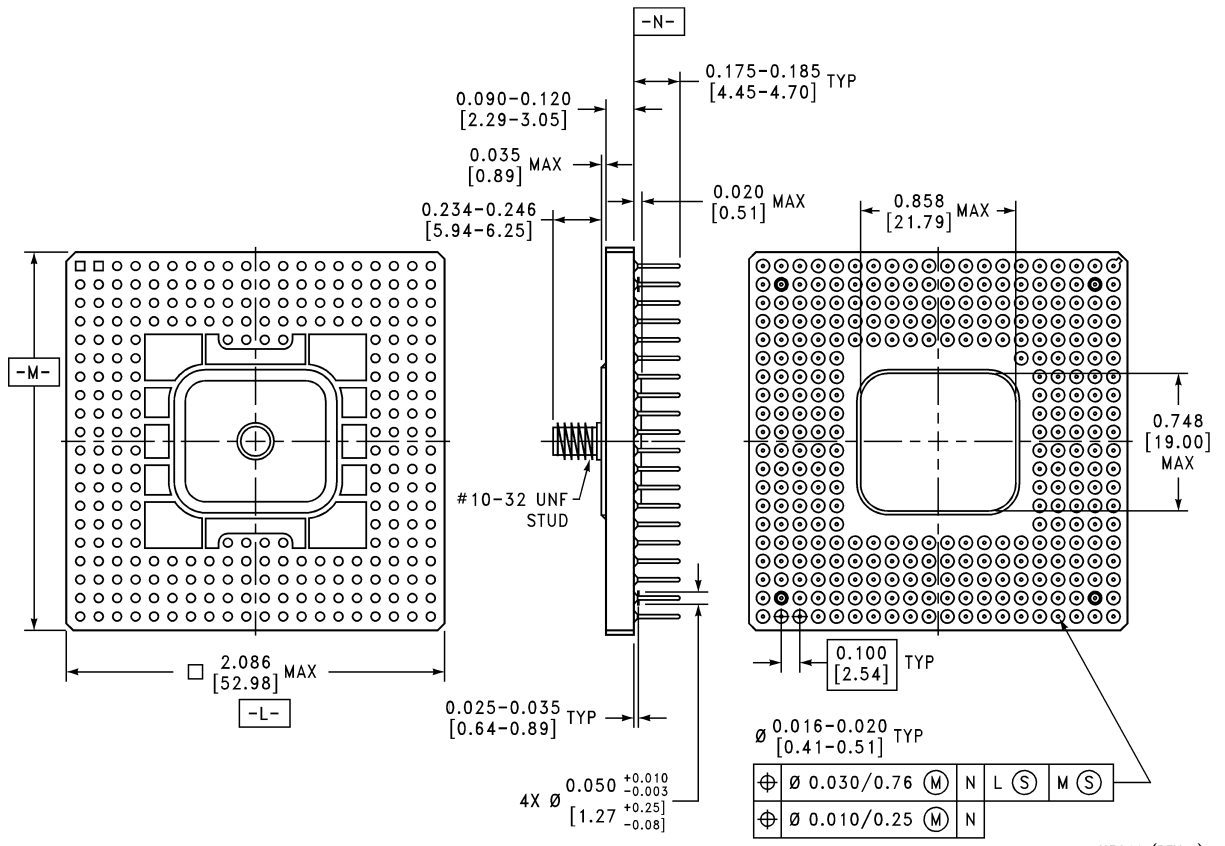
U257A (REV A)

259 Pin Ceramic Pin Grid Array NS Package Number U259A

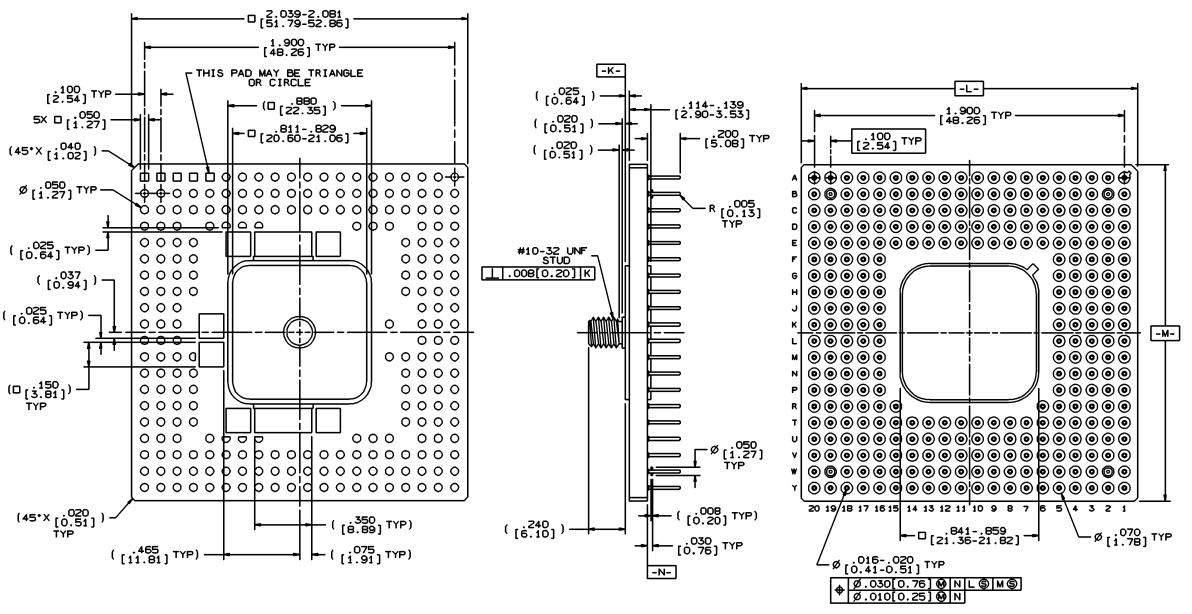


U259A (REV A)

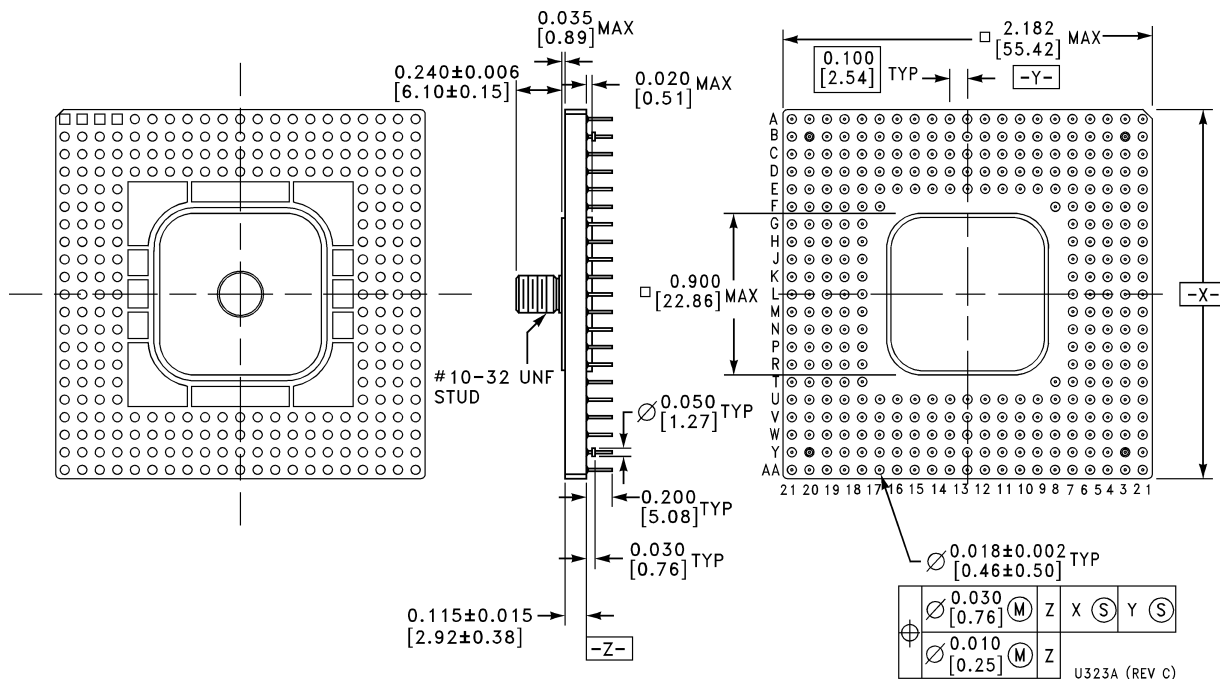
301 Pin Ceramic Pin Grid Array NS Package Number U301A



302 Pin Ceramic Pin Grid Array NS Package Number UA302A



323 Pin Ceramic Pin Grid Array NS Package Number U323A



LIFE SUPPORT POLICY

NATIONAL'S PRODUCTS ARE NOT AUTHORIZED FOR USE AS CRITICAL COMPONENTS IN LIFE SUPPORT DEVICES OR SYSTEMS WITHOUT THE EXPRESS WRITTEN APPROVAL OF THE PRESIDENT AND GENERAL COUNSEL OF NATIONAL SEMICONDUCTOR CORPORATION. As used herein:

1. Life support devices or systems are devices or systems which, (a) are intended for surgical implant into the body, or (b) support or sustain life, and whose failure to perform when properly used in accordance with instructions for use provided in the labeling, can be reasonably expected to result in a significant injury to the user.
2. A critical component is any component of a life support device or system whose failure to perform can be reasonably expected to cause the failure of the life support device or system, or to affect its safety or effectiveness.



National Semiconductor Corporation
Americas
Tel: 1-800-272-9959
Fax: 1-800-737-7018
Email: support@nsc.com

www.national.com

National Semiconductor Europe
Fax: +49 (0) 1 80-530 85 86
Email: europe.support@nsc.com
Deutsch Tel: +49 (0) 1 80-530 85 85
English Tel: +49 (0) 1 80-532 78 32
Français Tel: +49 (0) 1 80-532 93 58
Italiano Tel: +49 (0) 1 80-534 16 80

National Semiconductor Asia Pacific Customer Response Group
Tel: 65-2544466
Fax: 65-2504466
Email: sea.support@nsc.com

National Semiconductor Japan Ltd.
Tel: 81-3-5639-7560
Fax: 81-3-5639-7507