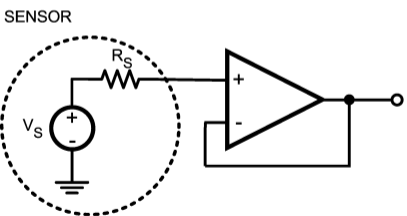
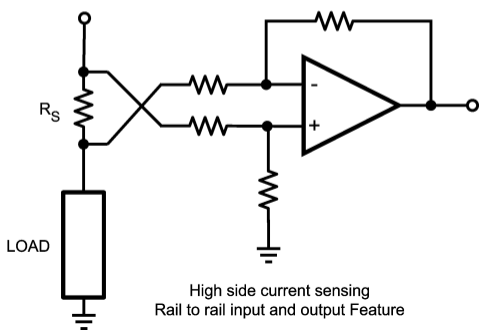


Active Band-pass Filter



High Impedance Sensor Interface
CMOS input Feature



High side current sensing
Rail to rail input and output Feature