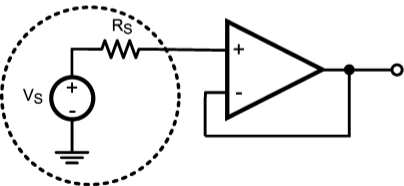
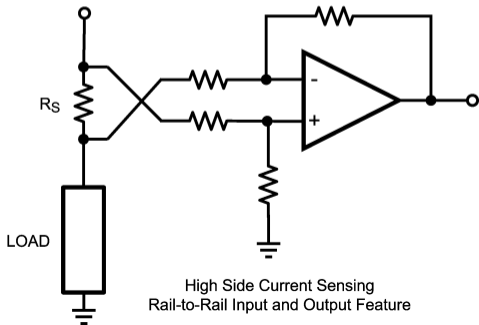


Active Band-Pass Filter

SENSOR



High Impedance Sensor Interface
CMOS Input Feature



High Side Current Sensing
Rail-to-Rail Input and Output Feature