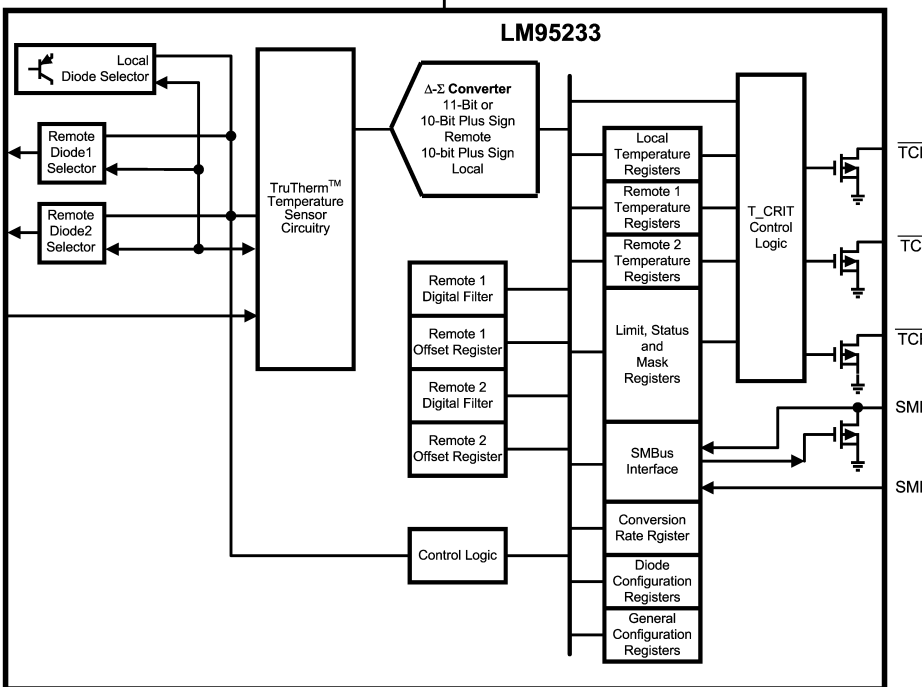


3.0V-3.6V

LM95233



Ground