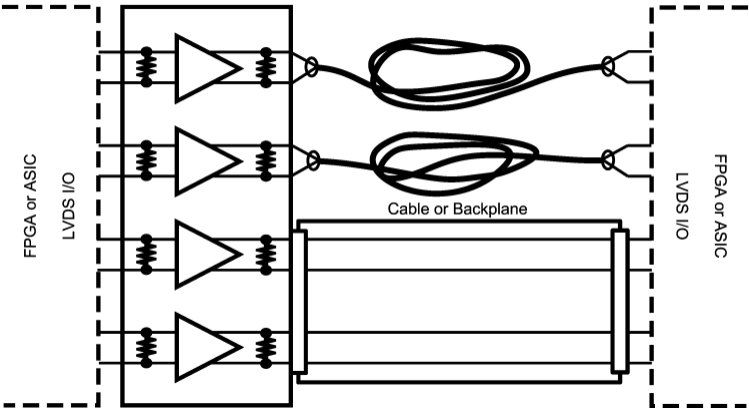


DS90LV004



FPGA or ASIC

LVDS I/O

Cable or Backplane

LVDS I/O

FPGA or ASIC