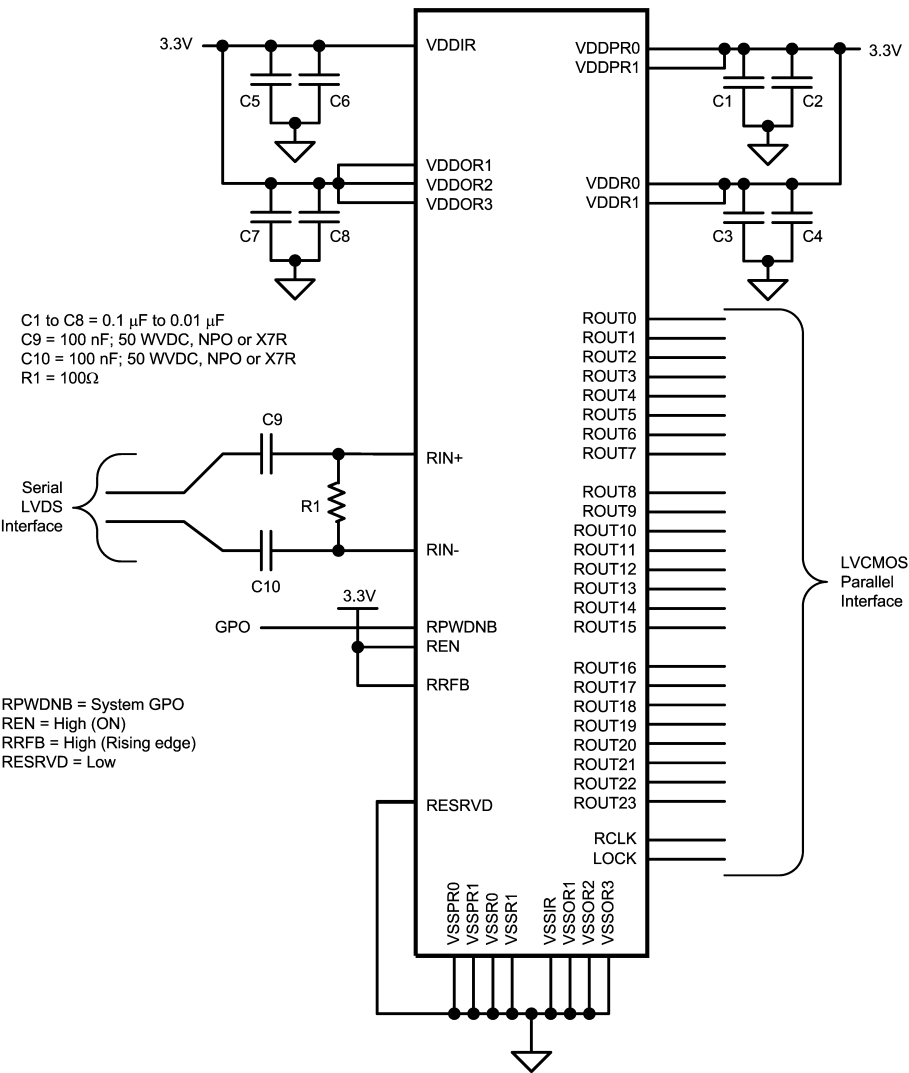


DS90C124 (DES)



C1 to C8 = 0.1 μ F to 0.01 μ F
 C9 = 100 nF; 50 WVDC, NPO or X7R
 C10 = 100 nF; 50 WVDC, NPO or X7R
 R1 = 100 Ω

Serial LVDS Interface

LVCMS Parallel Interface

RPWDNB = System GPO
 REN = High (ON)
 RRFB = High (Rising edge)
 RESRVD = Low