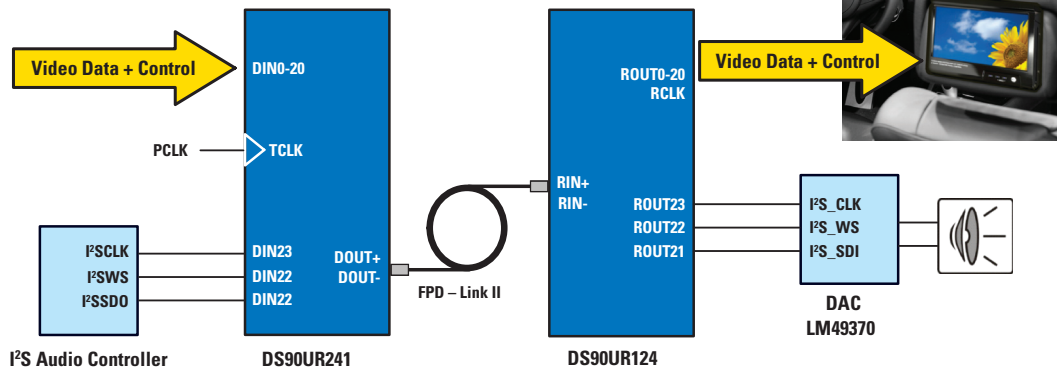


# Automotive Infotainment Solutions

## Rear Seat Entertainment: Audio Over LVDS



Infotainment applications continue to expand in vehicle cabins. Rear seat entertainment requires high-quality video and audio for best enjoyment during long trips. Utilizing National's LVDS products for the best video can now be combined with National's audio Boomer® amplifier subsystems to deliver the best audio over the same LVDS lines, thus minimizing cables, weight, and improving ease of design.

### Systems

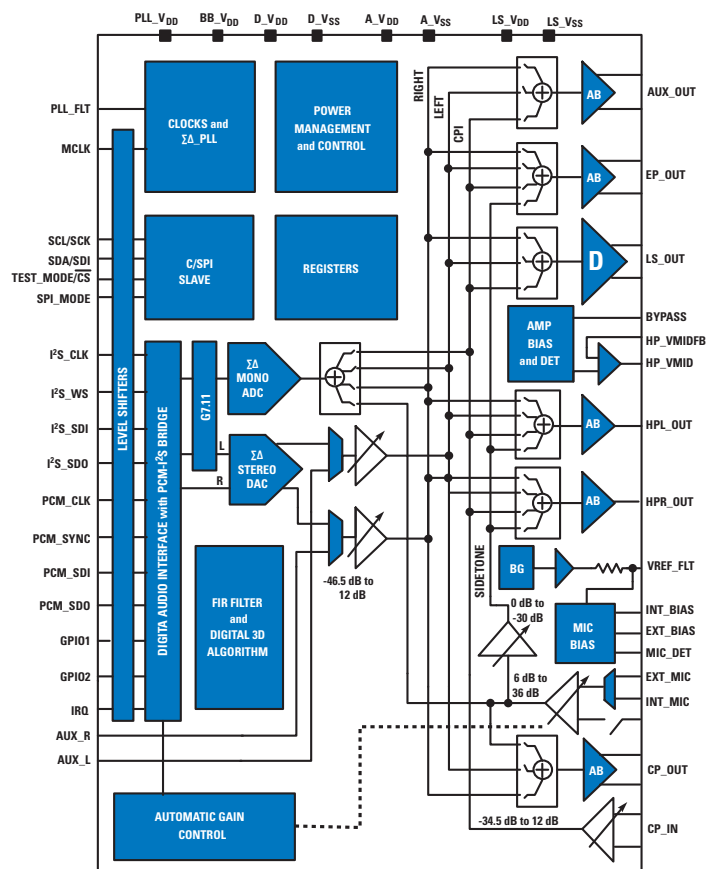
- Rear seat entertainment

### Applications

- I²S DAC subsystems
- Stereo HP output
- I²S/PMC bridge for easy Bluetooth communication

### Features

- Flexible mixed signal subsystem with digital and analog inputs
- PCM - I²S bridge
  - Bidirectional I²S compatible audio interface
  - Bidirectional PCM compatible audio interface
  - Allows audio bridge to Bluetooth IC
- Easy system control in most applications (read/write I²C or SPI compatible control interface)



LM49370 PowerWise® Boomer® Audio Subsystem for Bluetooth

See all National's automotive products and solutions at: [national.com/automotive](http://national.com/automotive)

