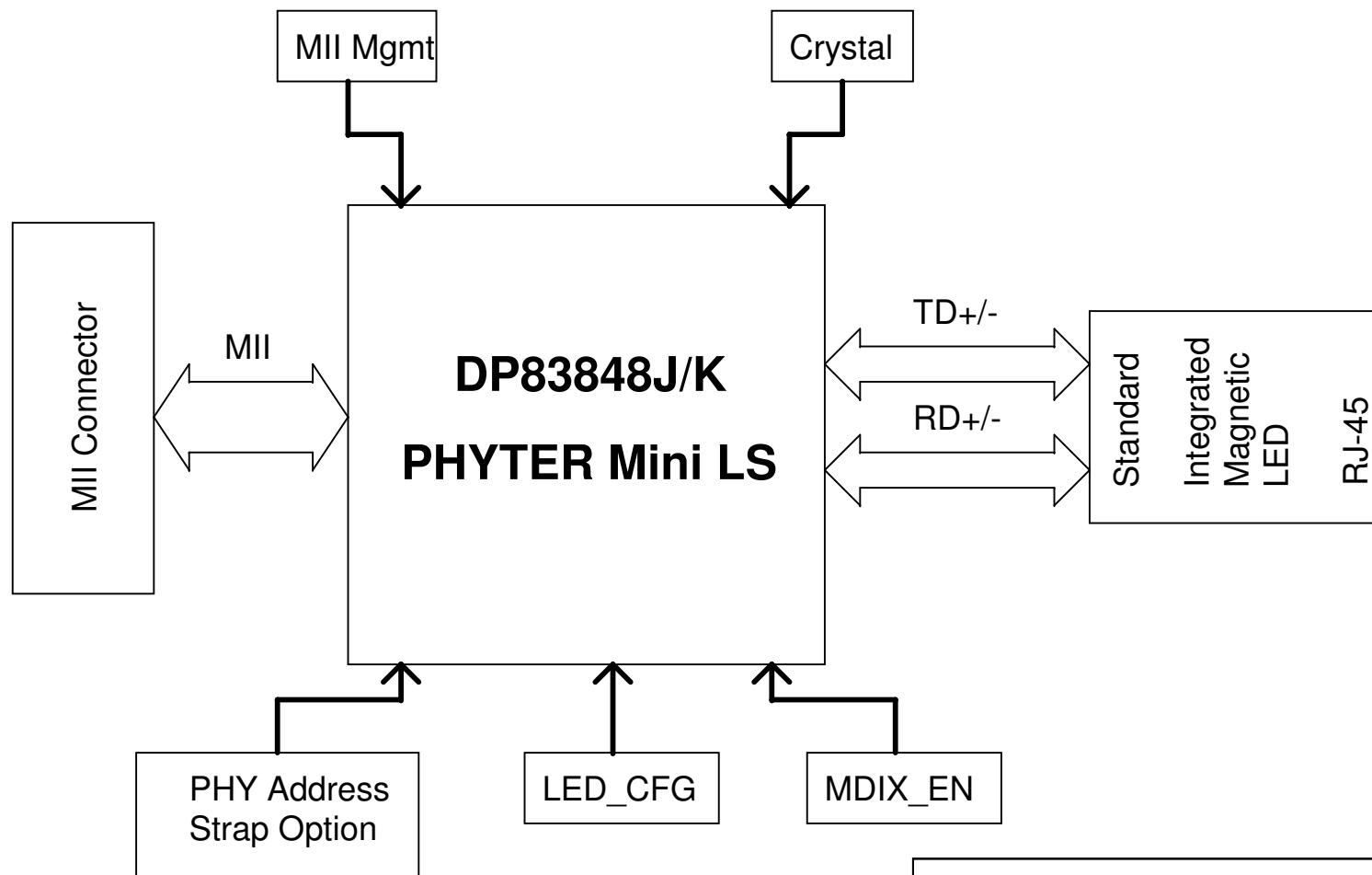


These schematics are provided for reference only. For any designs based on these schematics always contact National Semiconductor Corporation BEFORE initiating PCB manufacturing and ask for your design to be reviewed. Copyright (c) 2005 National Semiconductor Corporation. All Rights Reserved. Unpublished rights reserved under the copyright laws of the United States of America, other countries and international treaties. These schematics are provided without fee. Permission to use, copy, store, modify, disclose, transmit or distribute the schematics is granted, provided that this copyright notice must appear in any copy, modification, disclosure, transmission or distribution of the schematics. National Semiconductor Corporation retains all ownership, copyright, trade secret and proprietary rights in the schematics. THESE SCHEMATICS HAVE BEEN PROVIDED "AS IS", WITHOUT EXPRESS OR IMPLIED WARRANTY INCLUDING, WITHOUT LIMITATION, IMPLIED WARRANTIES OF MERCHANTABILITY, FITNESS FOR A PARTICULAR USE AND NON-INFRINGEMENT.



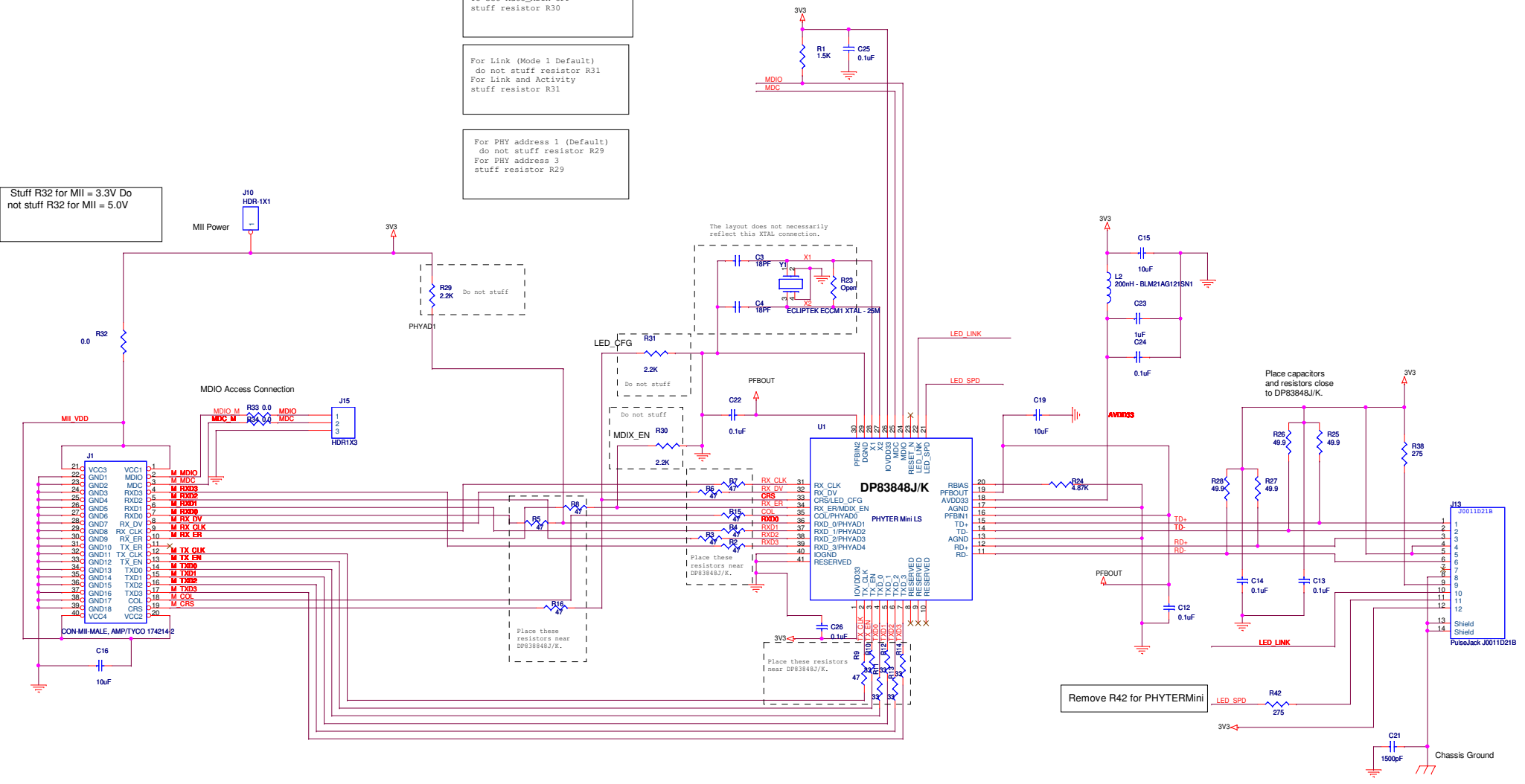
| | | |
|--|---------------------------|--------------|
| Title | | |
| DP83848J/K PHYTER Mini LS MAU Demo - Trike III - Block Diagram | | |
| Size | Document Number | Rev |
| Custom | 870012986-100 | B |
| Date: | Thursday, August 24, 2006 | Sheet 1 of 3 |

Stuff R32 for MII = 3.3V Do not stuff R32 for MII = 5.0V

To set Auto_MDIX ON (Default) do not stuff resistor R30 To set Auto_MDIX OFF stuff resistor R30

For Link (Mode 1 Default) do not stuff resistor R31 For Link and Activity stuff resistor R31

For PHY address 1 (Default) do not stuff resistor R29 For PHY address 3 stuff resistor R29



Remove R42 for PHYTERmini

| | | | |
|-------|-----------------|--|--------------|
| Title | | DP83848J/K PHYTER Mini LS MAU Demo - Trike III | |
| Size | Document Number | 870012986-100 | |
| C | Date: | Monday, October 30, 2006 | Sheet 2 of 3 |