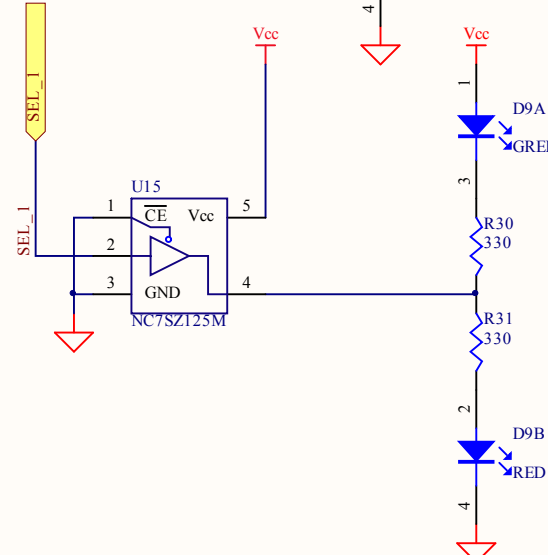
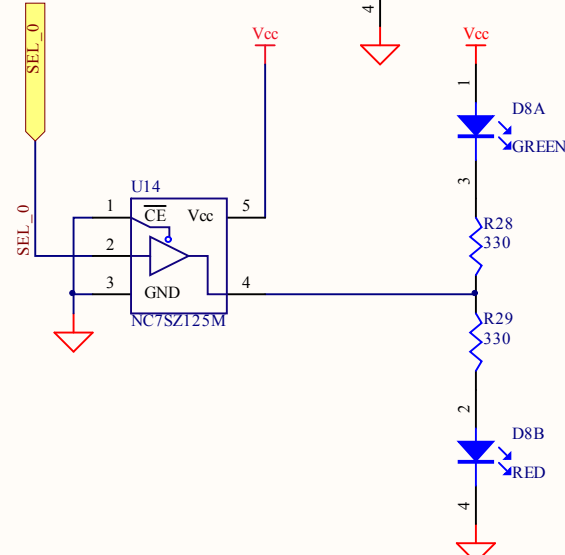
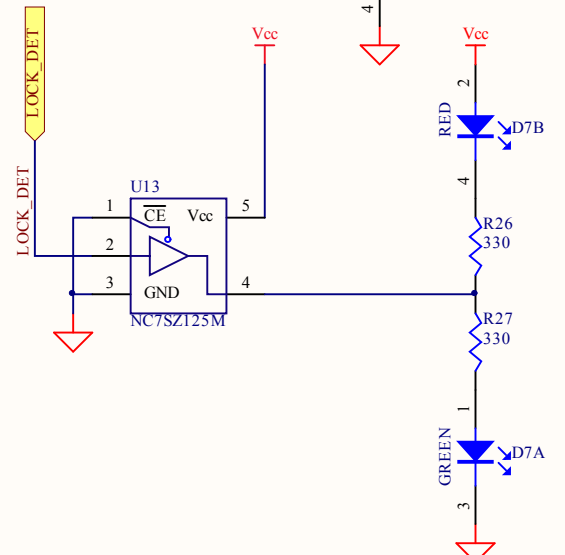
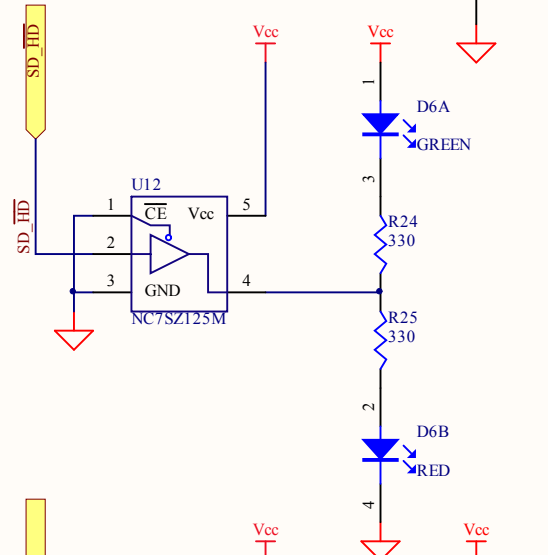
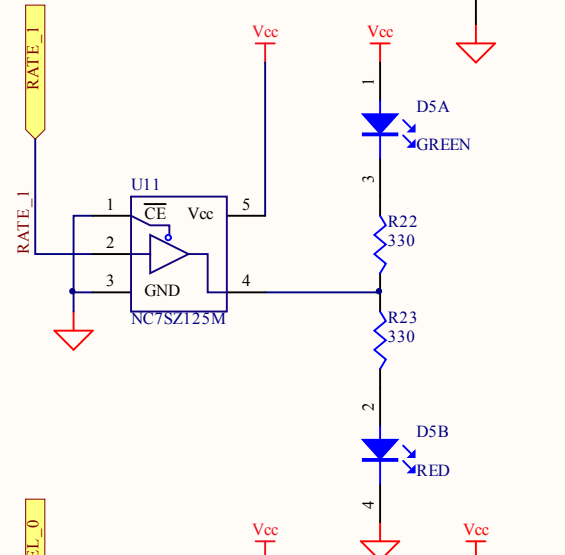
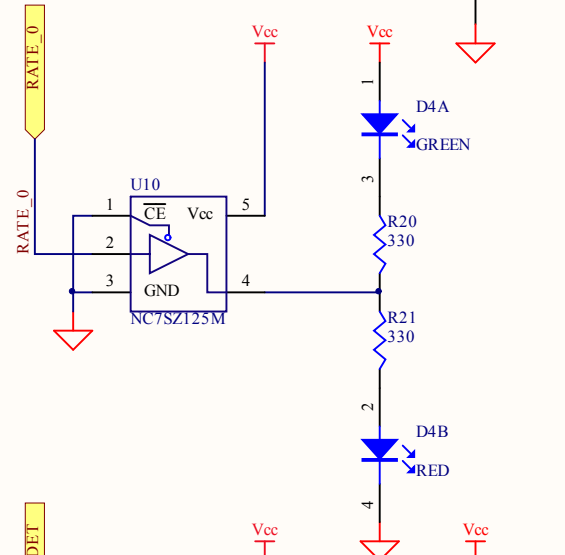
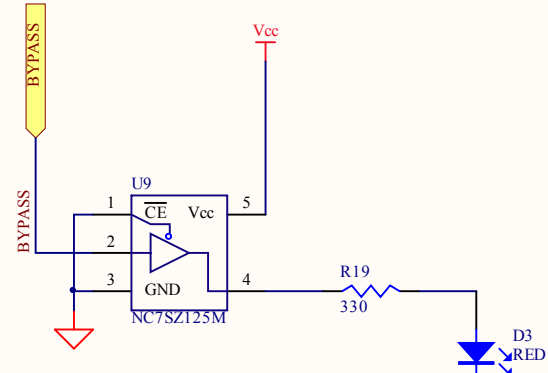
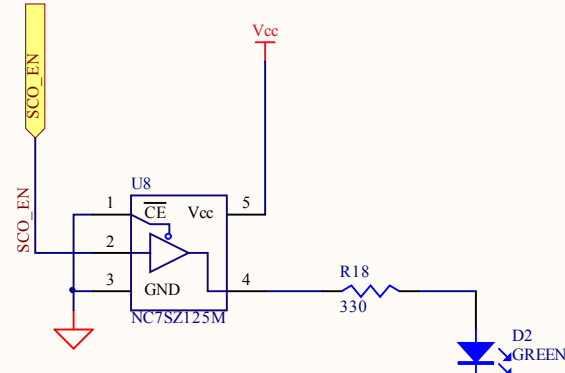
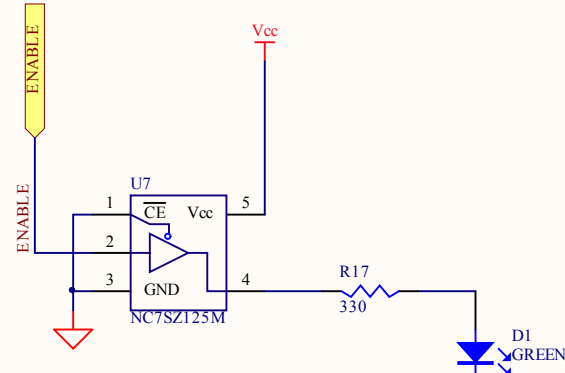
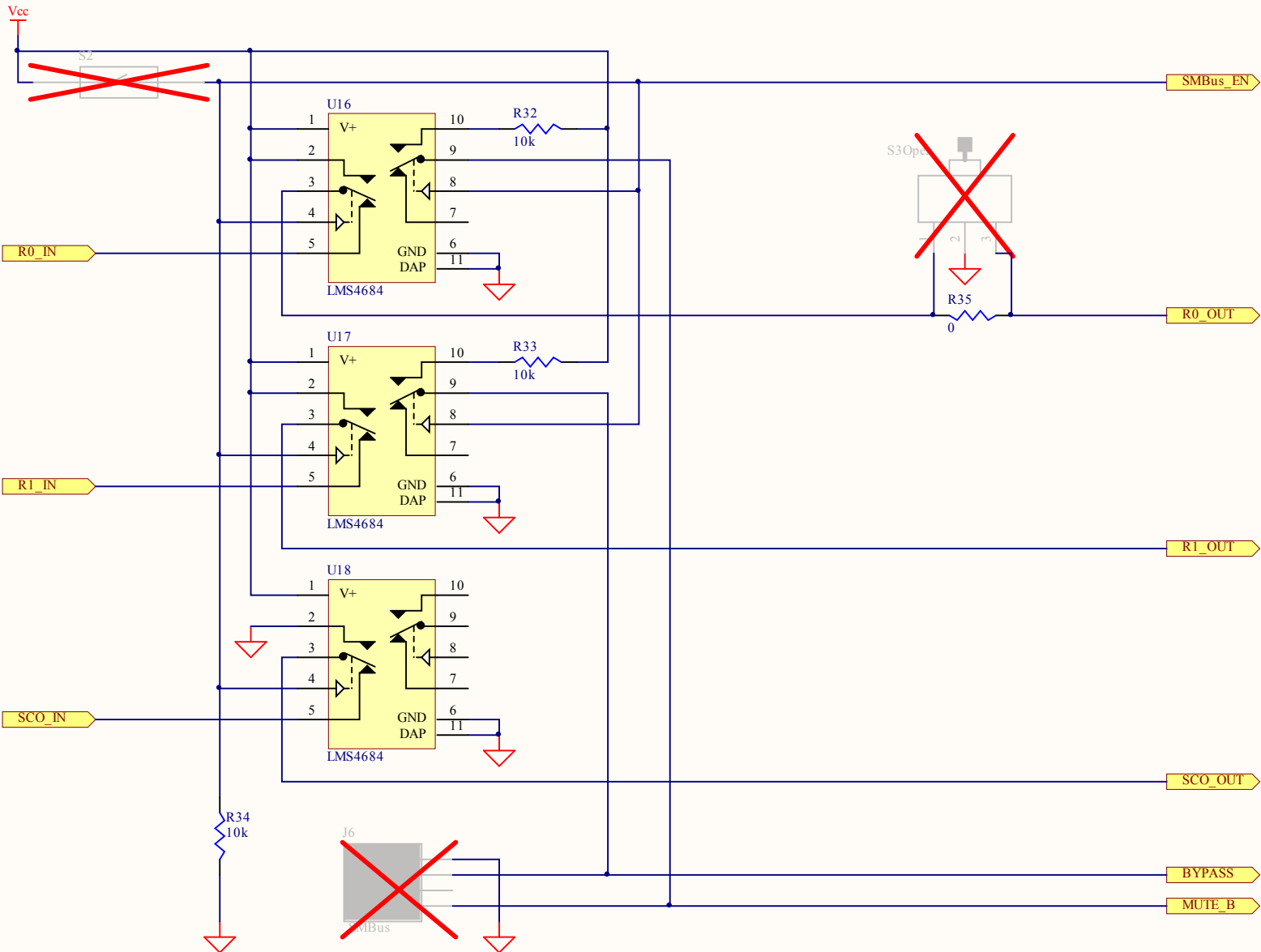


Title		
SCHEMATIC, SD356EVK		
Size	Number	Revision
C	8706000057-100	B
Date:	9/5/2008	Sheet 1 of 3
File:	H:\My Documents\SD356EVK_SchDoc	Drawn By: Anthony Davis



Title		
SCHEMATIC, SD356EVK		
Size	Number	Revision
B	8706000057-100	B
Date:	9/5/2008	Sheet 2 of 3
File:	H:\My Documents\LED_Driver.SchDoc	Drawn By: Anthony Davis



Title		
SCHEMATIC, SD356EVK		
Size	Number	Revision
A	8706000057-100	B
Date:	9/5/2008	Sheet 3 of 3
File:	H:\My Documents\...\SMBus.SchDoc	Drawn By: Anthony Davis