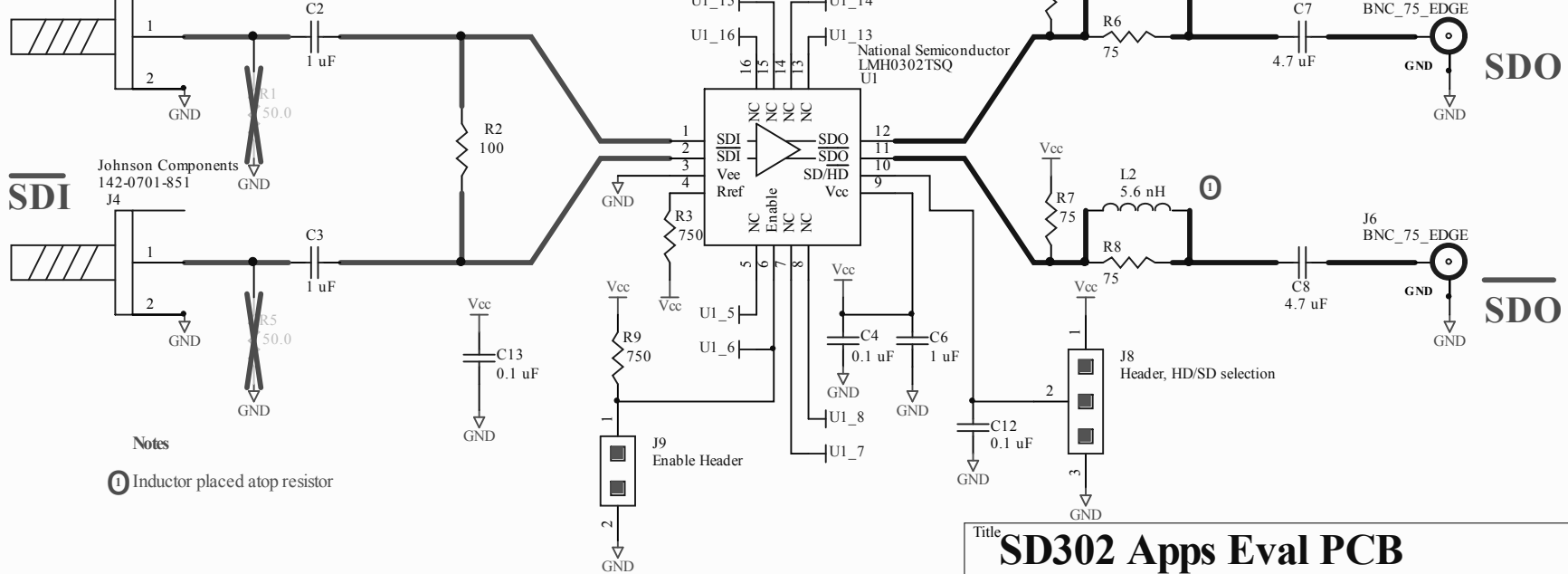
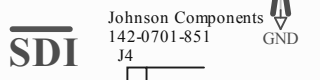
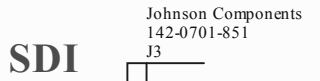
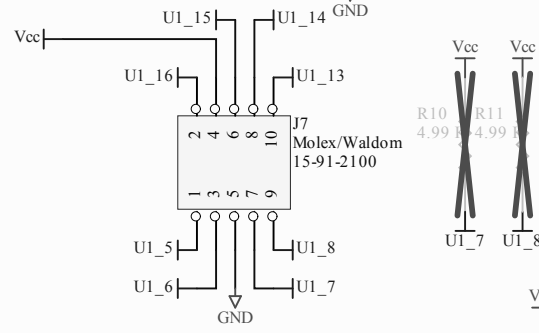
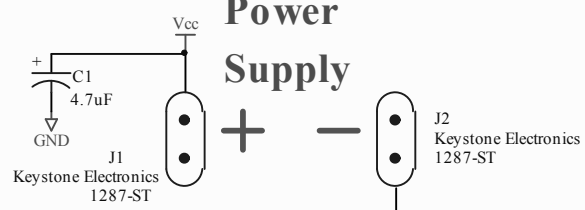


Rev	Date	Description	Appvd
A	04/06/07	Initial Release	J. Jones
B	08/06/08	Ref. Des. Changes, BOM changes	J. Jones

# Power Supply



Notes  
① Inductor placed atop resistor

Title		
<b>SD302 Apps Eval PCB</b>		
Size A	Number <b>870013032-100</b>	Revision <b>B</b>
Date:	8/6/2008	Sheet 1 of 1
File:	H:\My Documents\...\SD302.SchDoc	Drawn By: <b>M. Leister</b>