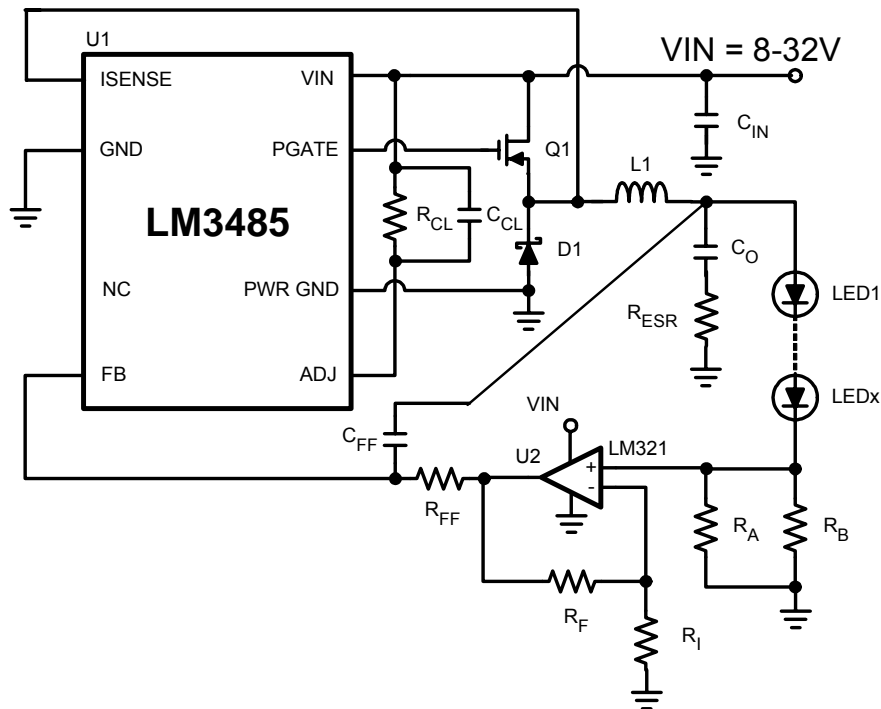


LM3485 LumiLED/Future Demo Board

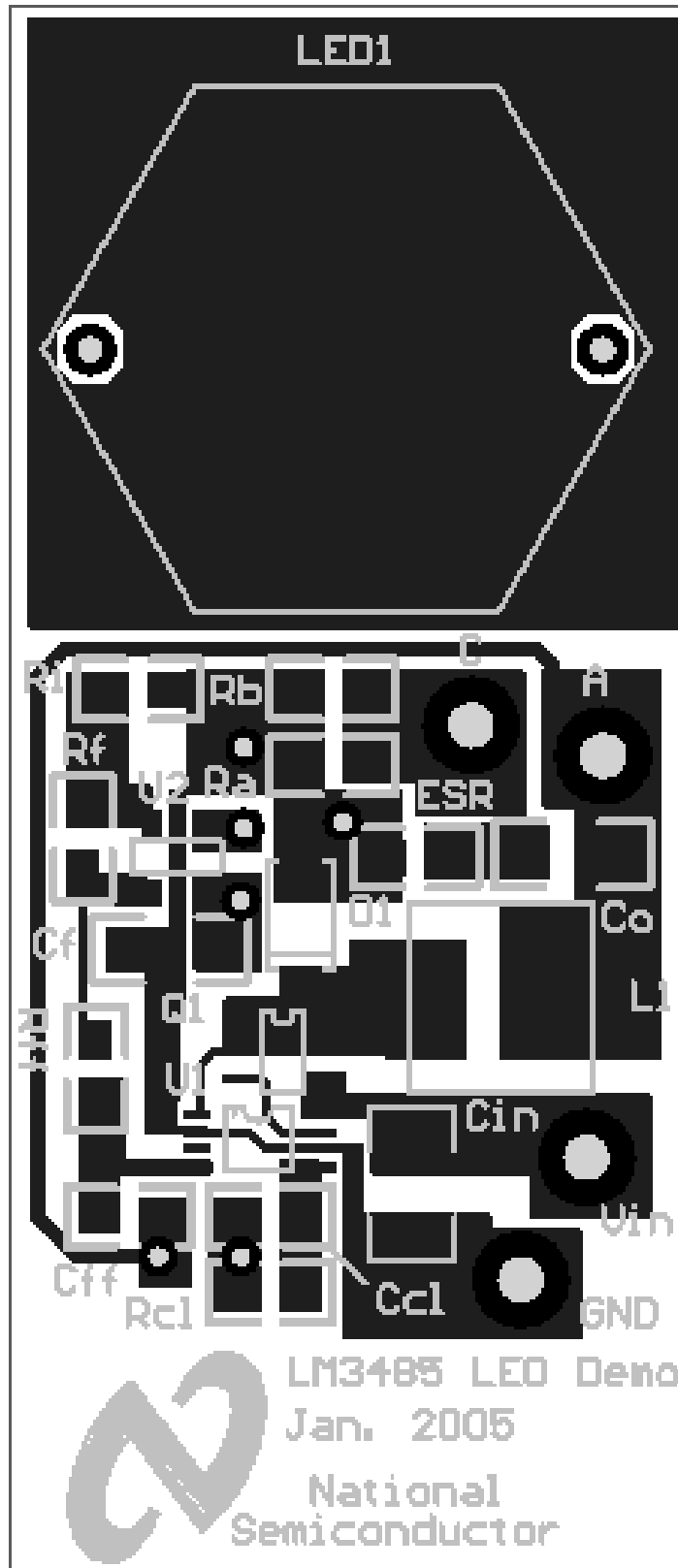


Theory of Operation

This circuit is designed to drive a single high powered LED from a wide range of input voltage at 350mA.

ID	Part Number	Type	Size	Parameters	Qty	Vendor
U1	LM3485	Hysteretic Controller	MSOP-8		1	NSC
U2	LM321	Op-amp	SOT23-5	1MHz	1	NSC
L1	SLF7045T-220MR90	Inductor	7.0x7.0 x4.5mm	22 μ H 0.9A	1	TDK
Q1	Si2319DS	PFET	SOT-23	-40V 2.4A	1	Vishay
D1	SS14	Schottky Diode	DO-214A	40V 1A	1	Vishay
Cff	VJ0805Y102KXXAT	Capacitor	0805	1nF, 10%	1	Vishay
Ccl	VJ0805A101KXXAT	Capacitor	0805	100pF, 10%	1	Vishay
Cin	C3225X5R1H1335	Capacitor	1210	3.3 μ F 50V	1	TDK
Co	C2012X5R1C105M	Capacitor	0805	1 μ F 16V	1	TDK
Resr Ra, Rb	CRCW08051R00F	Resistor	0805	1 Ω 1%	3	Vishay
Rcl	CRCW08053482F	Resistor	0805	34.8k Ω 1%	1	Vishay
Ri	CRCW08051002F	Resistor	0805	10k Ω 1%	1	Vishay
Rf	CRCW08056192F	Resistor	0805	61.9k Ω 1%	1	Vishay

Top Copper and Silkscreen



Bottom Copper

