

National Semiconductor Corp.		Stratix II - EP2S180 Vccint (Vcore) Reference Design		5V Vin	1.2V @ 16A	Vout	BOM
Designator	Part Type	Manufacturer	Part No	Description			
C1	0.1uF	VISHAY	VJ0805Y104KXXA	Capacitor Ceramic X7R			
C2	2.2uF	TDK	C2012X5R0J225	Capacitor Ceramic X5R			
C3	0.01uF	VISHAY	VJ0805Y103KXXA	Capacitor Ceramic X7R			
C4	10nF	VISHAY	VJ0805Y103KXXA	Capacitor Ceramic X7R			
C5	1500uF	SANYO	16MV1500WG	SANYO Through Hole Cap			
C6	2.7nF	VISHAY	VJ0805Y272KXXA	Capacitor Ceramic X7R			
C7	1500uF	SANYO	16MV1500WG	SANYO Through Hole Cap			
C8	1500uF	SANYO	16MV1500WG	SANYO Through Hole Cap			
C9	560uF	SANYO	4MB560EXR	Sanyo super low ERS			
C10	560uF	SANYO	4MB560EXR	Sanyo super low ERS			
C11	560uF	SANYO	4MB560EXR	Sanyo super low ERS			
C12	560uF	SANYO	4MB560EXR	Sanyo super low ERS			
C13	560uF	SANYO	4MB560EXR	Sanyo super low ERS			
C14	560uF	SANYO	4MB560EXR	Sanyo super low ERS			
C15	100pF	VISHAY	VJ0805A101KXXA	Capacitor Ceramic X7R			
C16	15nF	VISHAY	VJ0805Y153KXXA	Capacitor Ceramic X7R			
D1	BAT54H	ON SEMI	BAT54H	Schottky Diode			
D2	MBRS240	ON SEMI	MBRS240	Schottky Diode			
L1	SER1590-801MX	COILCRAFT	SER1590-801MX	SMT Power inductor			
P1	Vin 5V			TEST POINT			
P2	1.2V@16A			TEST POINT			
P3	Gnd			TEST POINT			
P4	Gnd			TEST POINT			
Q1	SI4838DY	VISHAY	SI4838DY	Logic Level, Single N-Channel MOSFET Power Trench			
Q2	SI4838DY	VISHAY	SI4838DY	Logic Level, Single N-Channel MOSFET Power Trench			
Q3	SI4838DY	VISHAY	SI4838DY	Logic Level, Single N-Channel MOSFET Power Trench			
Q4	SI4838DY	VISHAY	SI4838DY	Logic Level, Single N-Channel MOSFET Power Trench			
R1	10R	VISHAY	CRCW080510R0F	1% Thick Film			
R2	1k	VISHAY	CRCW08051001F	1% Thick Film			
R3	130k	VISHAY	CRCW08051303F	1% Thick Film			
R4	5.49k	VISHAY	CRCW08055432F	1% Thick Film			
R5	1R	VISHAY	CRCW08051R00F	1% Thick Film			

R6	2k	VISHAY CRCW08052001F	1% Thick Film
R7	2k	VISHAY CRCW08052001F	1% Thick Film
R8	100R	VISHAY CRCW08051000F	1% Thick Film
U1	LM2743	NST SEMI LM2743	Synchronous Buck Controller

1 2 3 4 5 6

D

D

C

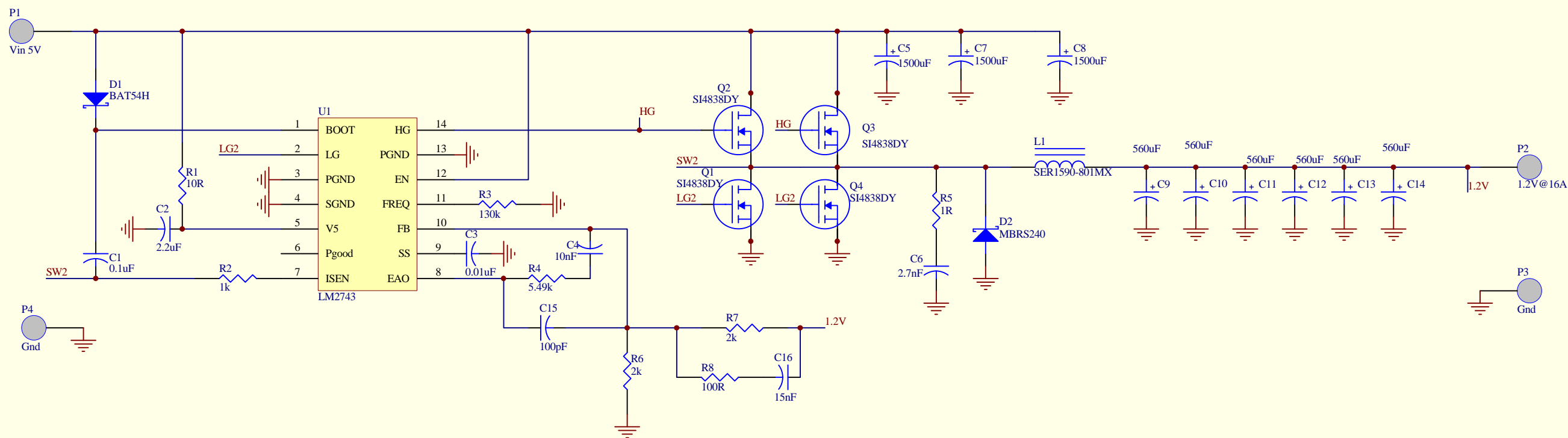
C

B

B

A

A



NATIONAL SEMICONDUCTOR  
3050 W AGUA FRIA FREEWAY  
SUITE 150  
PHOENIX ARIZONA 85027

29-Sep-2004

1 2 3 4 5 6