

1 2 3 4 5 6

D

D

C

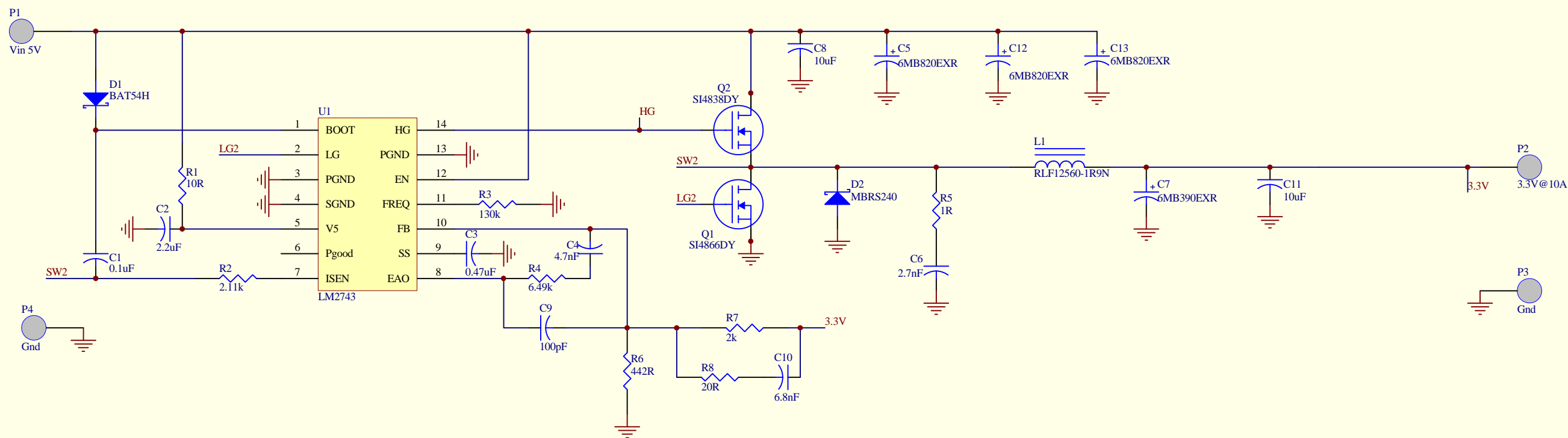
C

B

B

A

A



NATIONAL SEMICONDUCTOR
3050 W AGUA FRIA FREEWAY
SUITE 150
PHOENIX ARIZONA 85027

9-Nov-2004

1 2 3 4 5 6

Designator	Part Type	Manufacturer Part No	Description
C1	0.1uF	VISHAY VJ0805Y104KXXA	Capacitor Ceramic X7R
C2	2.2uF	TDK C2012X5R0J475	Capacitor Ceramic X5R
C3	0.47uF	TDK C2012X7R1E474	Capacitor Ceramic X7R
C4	4.7nF	VISHAY VJ0805Y472KXXA	Capacitor Ceramic X7R
C5	6MB820EXR	SANYO 6MB820EXR	SANYO Through Hole Cap
C6	2.7nF	VISHAY VJ0805Y272KXXA	Capacitor Ceramic X7R
C7	6MB390EXR	SANYO 6MB390EXR	SANYO Through Hole Cap
C8	10uF	TDK C2012X5R0J106	Capacitor Ceramic X5R
C9	100pF	VISHAY VJ0805A101KXXA	Capacitor Ceramic X7R
C10	6.8nF	VISHAY VJ0805Y682KXXA	Capacitor Ceramic X7R
C11	10uF	TDK C2012X5R0J106	Capacitor Ceramic X5R
C12	6MB820EXR	SANYO 6MB820EXR	SANYO Through Hole Cap
C13	6MB820EXR	SANYO 6MB820EXR	SANYO Through Hole Cap
D1	BAT54H	ON SEMI BAT54H	Schottky Diode
D2	MBRS240	ON SEMI MBRS240	Schottky Diode
L1	RLF12560-1R9N	TDK RLF12560-1R9N	SMT Power Inductor
P1	Vin 5V		TEST POINT
P2	3.3V@10A		TEST POINT
P3	Gnd		TEST POINT
P4	Gnd		TEST POINT
Q1	SI4866DY	VISHAY SI4866DY	Logic Level, Single N-Channel MOSFET Power Trench
Q2	SI4838DY	VISHAY SI4838DY	Logic Level, Single N-Channel MOSFET Power Trench
R1	10R	VISHAY CRCW080210R0F	1% Thick Film
R2	2.11k	VISHAY CRCW08022111F	1% Thick Film
R3	130k	VISHAY CRCW08021303F	1% Thick Film
R4	6.49k	VISHAY CRCW08026491F	1% Thick Film
R5	1R	VISHAY CRCW08021R00F	1% Thick Film
R6	442R	VISHAY CRCW08024420F	1% Thick Film
R7	2k	VISHAY CRCW08022001F	1% Thick Film
R8	20R	VISHAY CRCW080220R0F	1% Thick Film
U1	LM2743	NAT SEMI LM2743	PWM Synchronous Buck Controller