

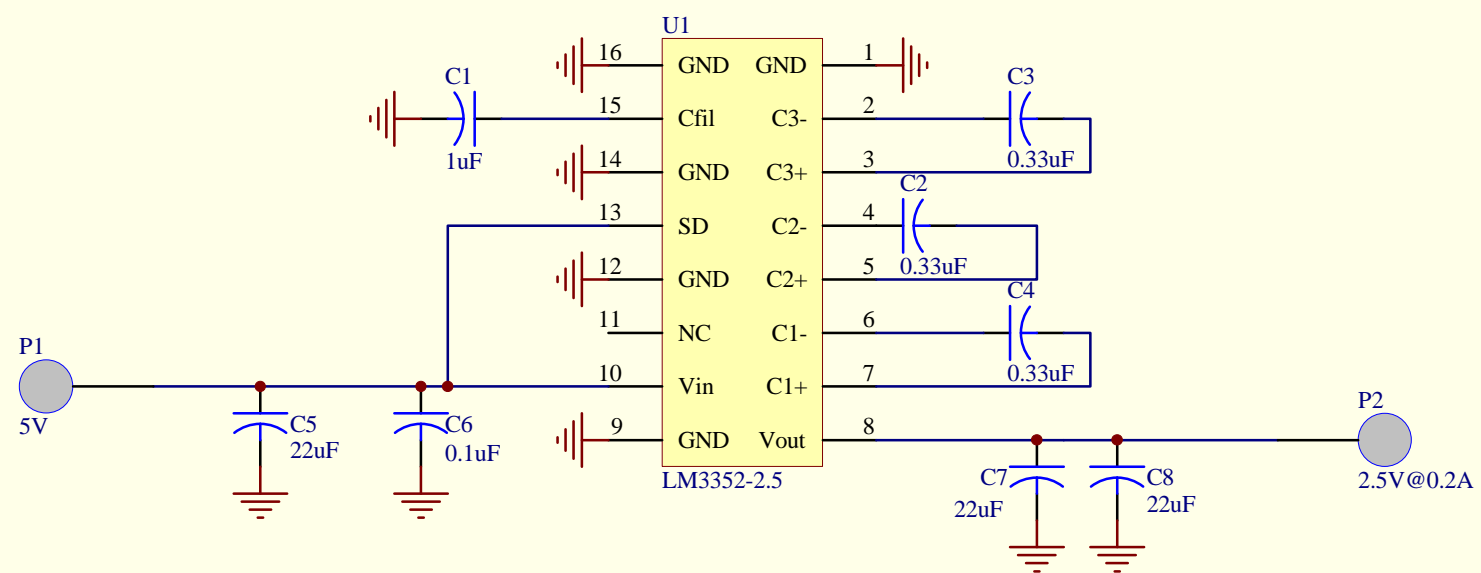


Altera MAX II Complete Reference Design

5V in; 2.5V @ 200mA out (Vccint & Vccio)

National Semiconductor Corp. 2004.

<b>Designator</b>	<b>Part Type</b>	<b>Manufacturer Part No</b>	<b>Description</b>
C1	1uF	TDK C2012X5R1C105	Capacitor Ceramic X5R
C2	0.33uF	TDK C2012X7R1H334	Capacitor Ceramic X7R
C3	0.33uF	TDK C2012X7R1H334	Capacitor Ceramic X7R
C4	0.33uF	TDK C2012X7R1H334	Capacitor Ceramic X7R
C5	22uF	TDK C2012X5R0J226	Capacitor Ceramic X7R
C6	0.1uF		Capacitor Ceramic X7R
C7	22uF	TDK C2012X5R0J226	Capacitor Ceramic X5R
C8	22uF	TDK C2012X5R0J226	Capacitor Ceramic X7R
P1	5V		TEST POINT
P2	2.5V@0.2A		TEST POINT
U1	LM3352-2.5	NAT SEMI LM3352-2.5	0.2A Buck Boost Inductorless Switching Regulator



17-Nov-2004

NATIONAL SEMICONDUCTOR  
 3050 W AGUA FRIA FREEWAY  
 SUITE 150  
 PHOENIX ARIZONA 85027