

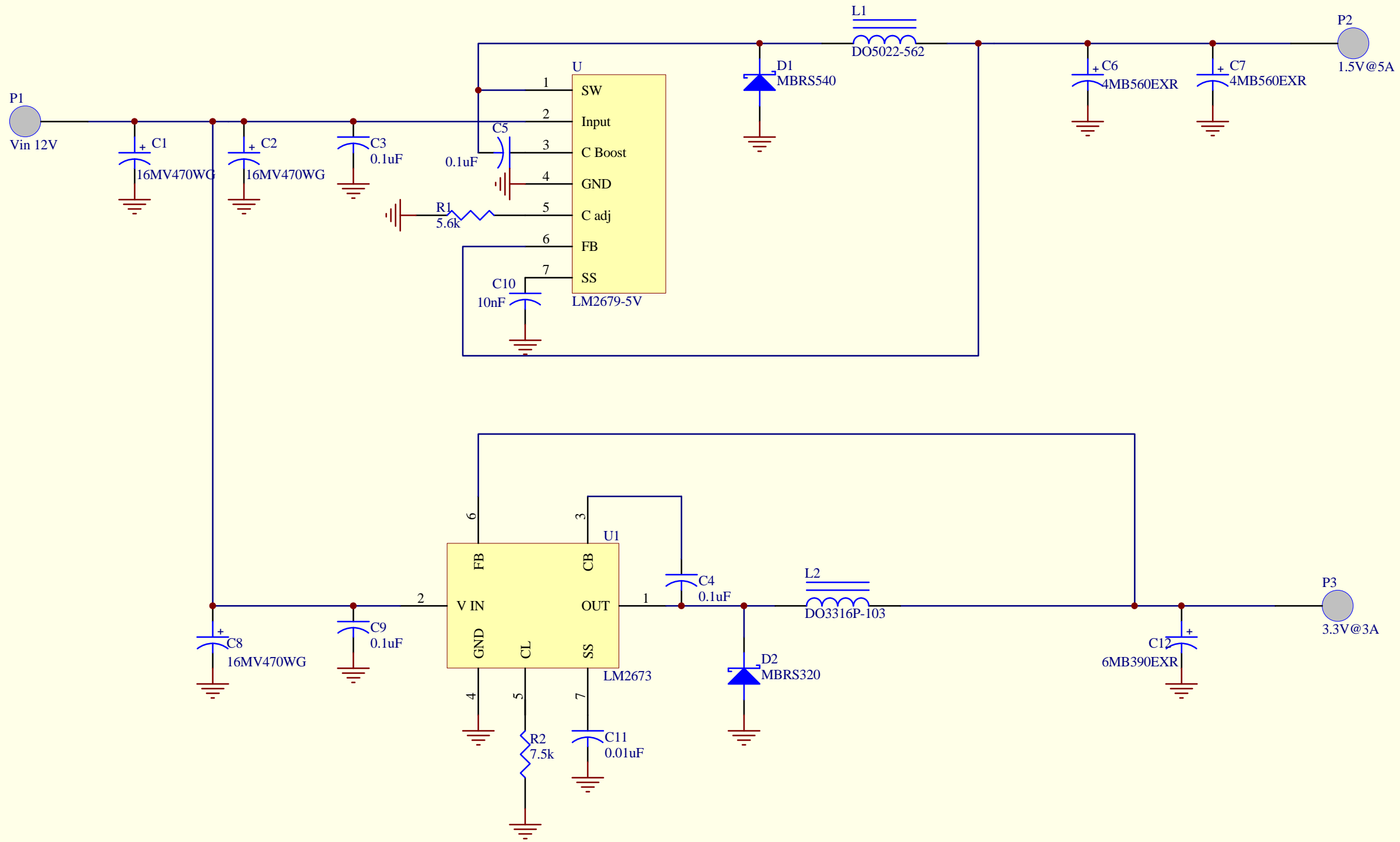


Altera Cyclone Complete Reference Design

12V in; 1.5V @ 5A out (Vccint) and 3.3V @ 3A (Vccio)

National Semiconductor Corp. 2004.

Designator	Part Type	Manufacturer Part No	Description
C1	16MV470WG	SANYO 16MV470WG	SANYO Through Hole Cap
C2	16MV470WG	SANYO 16MV470WG	SANYO Through Hole Cap
C3	0.1uF	VISHAY VJ0805Y104KXXA	Capacitor Ceramic X7R
C4	0.1uF	VISHAY VJ0805Y104KXXA	Capacitor Ceramic X7R
C5	0.1uF	VISHAY VJ0805Y104KXXA	Capacitor Ceramic X7R
C6	4MB560EXR	SANYO 4MB560EXR	SANYO Through Hole Cap
C7	4MB560EXR	SANYO 4MB560EXR	SANYO Through Hole Cap
C8	16MV470WG	SANYO 16MV470WG	SANYO Through Hole Cap
C9	0.1uF	VISHAY VJ0805Y104KXXA	Capacitor Ceramic X7R
C10	10nF	VISHAY VJ0805Y103KXXA	Capacitor Ceramic X7R
C11	0.01uF	VISHAY VJ0805Y103KXXA	Capacitor Ceramic X7R
C12	6MB390EXR	SANYO 6MB390EXR	SANYO Through Hole Cap
D1	MBRS540	ON SEMI MBRS540	Schottky Diode
D2	MBRS320	ON SEMI MBRS320	Schottky Diode
L1	DO5022-562	COILCRAFT DO5022P-562	SMT Power inductor
L2	DO3316P-103	COILCRAFT DO3316P-103	SMT Power inductor
P1	Vin 12V		TEST POINT
P2	1.5V@5A		TEST POINT
P3	3.3V@3A		TEST POINT
R1	5.6k	VISHAY CRCW08055601F	1% Thick Film
R2	7.5k	VISHAY CRCW08057501F	1% Thick Film
U	LM2679-5.0	NAT SEMI LM2679-5.0	5 A step Down voltage regulator
U1	LM2673	NAT SEMI LM2673-3.3	3 A step Down voltage regulator



NATIONAL SEMICONDUCTOR
 3050 W AGUA FRIA FREEWAY
 SUITE 150
 PHOENIX ARIZONA 85027

17-Nov-2004