

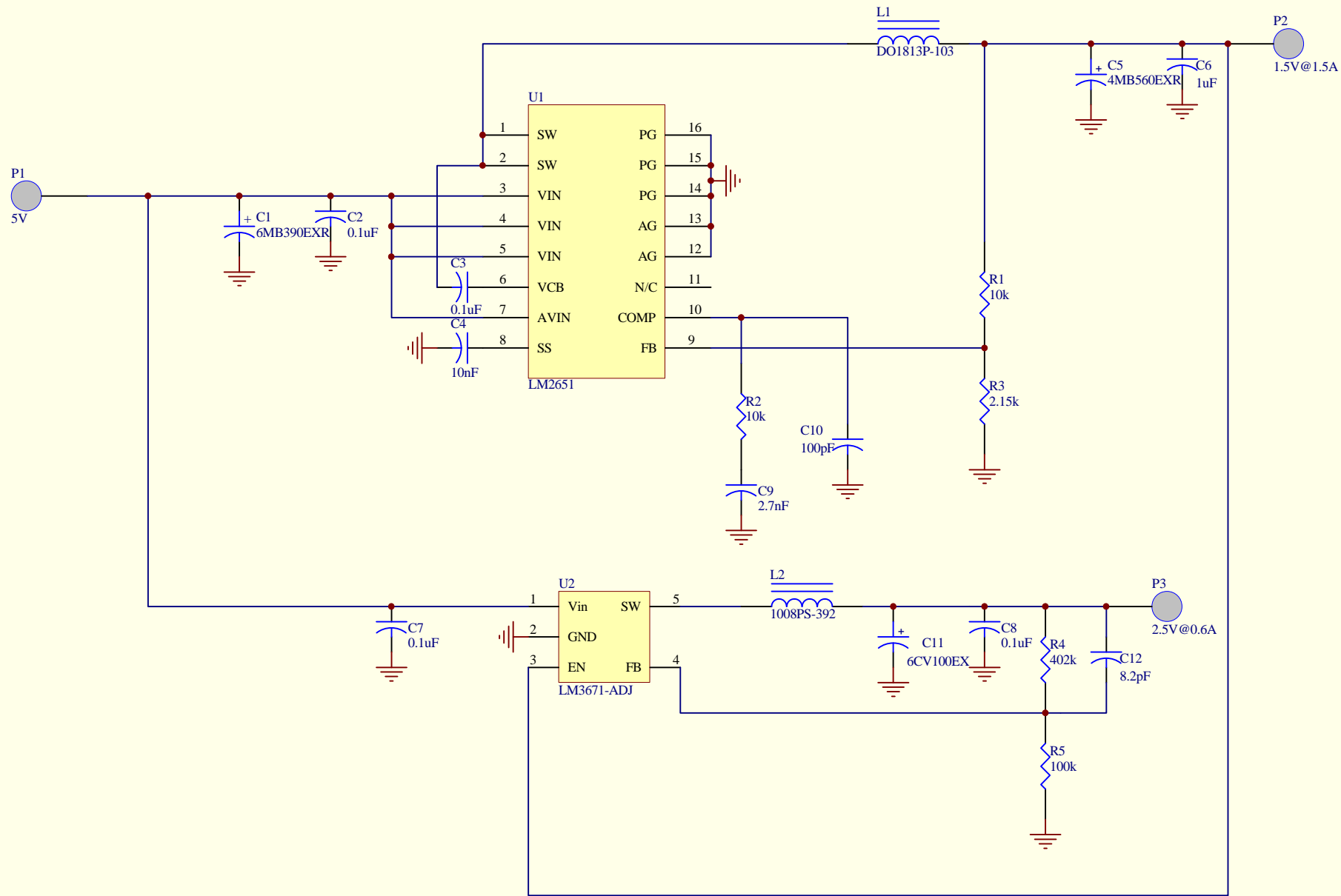


Altera Cyclone Complete Reference Design

5V in; 1.5V @ 1.5A out (Vccint) and 2.5V @ 600mA (Vccio)

National Semiconductor Corp. 2004.

Designator	Part Type	Manufacturer Part No	Description
C1	6MB390EXR	SANYO 6MB390EXR	SANYO Through Hole Cap
C2	0.1uF	VISHAY VJ0805Y104KXXA	Capacitor Ceramic X7R
C3	0.1uF	VISHAY VJ0805Y104KXXA	Capacitor Ceramic X7R
C4	10nF	VISHAY VJ0805Y103KXXA	Capacitor Ceramic X7R
C5	4MB560EXR	SANYO 6MB390EXR	SANYO Through Hole Cap
C6	1uF	TDK C2012X5R1C105	Capacitor Ceramic X5R
C7	0.1uF	VISHAY VJ0805Y104KXXA	Capacitor Ceramic X7R
C8	0.1uF	VISHAY VJ0805Y104KXXA	Capacitor Ceramic X7R
C9	2.7nF	VISHAY VJ0805Y272KXXA	Capacitor Ceramic X7R
C10	100pF	VISHAY VJ0805A101KXXA	Capacitor Ceramic X7R
C11	6CV100EX	SANYO 6CV100EX	SANYO Through Hole Cap
C12	8.2pF	VISHAY VJ0805A820KXXA	Capacitor Ceramic X7R
L1	DO1813P-103	COILCRAFT DO1813P103HC	SMT Power Inductor
L2	1008PS-392	COILCRAFT 1008PS-392	SMT Power Inductor
P1	5V		TEST POINT
P2	1.5V@1.5A		TEST POINT
P3	2.5V@0.6A		TEST POINT
R1	10k	VISHAY CRCW08051002F	1% Thick Film
R2	10k	VISHAY CRCW08051002F	1% Thick Film
R3	2.15k	VISHAY CRCW08052152F	1% Thick Film
R4	402k	VISHAY CRCW08054023F	1% Thick Film
R5	100k	VISHAY CRCW08051003F	1% Thick Film
U1	LM2651	NAT SEMI LM2651	1.5A High Efficiency Synchronous Buck Regulator
U2	LM3671-ADJ	NAT SEMI LM3671-ADJ	0.6A High Efficiency Synchronous Buck Regulator



NATIONAL SEMICONDUCTOR
 3050 W AGUA FRIA FREEWAY
 SUITE 150
 PHOENIX ARIZONA 85027

17-Nov-2004