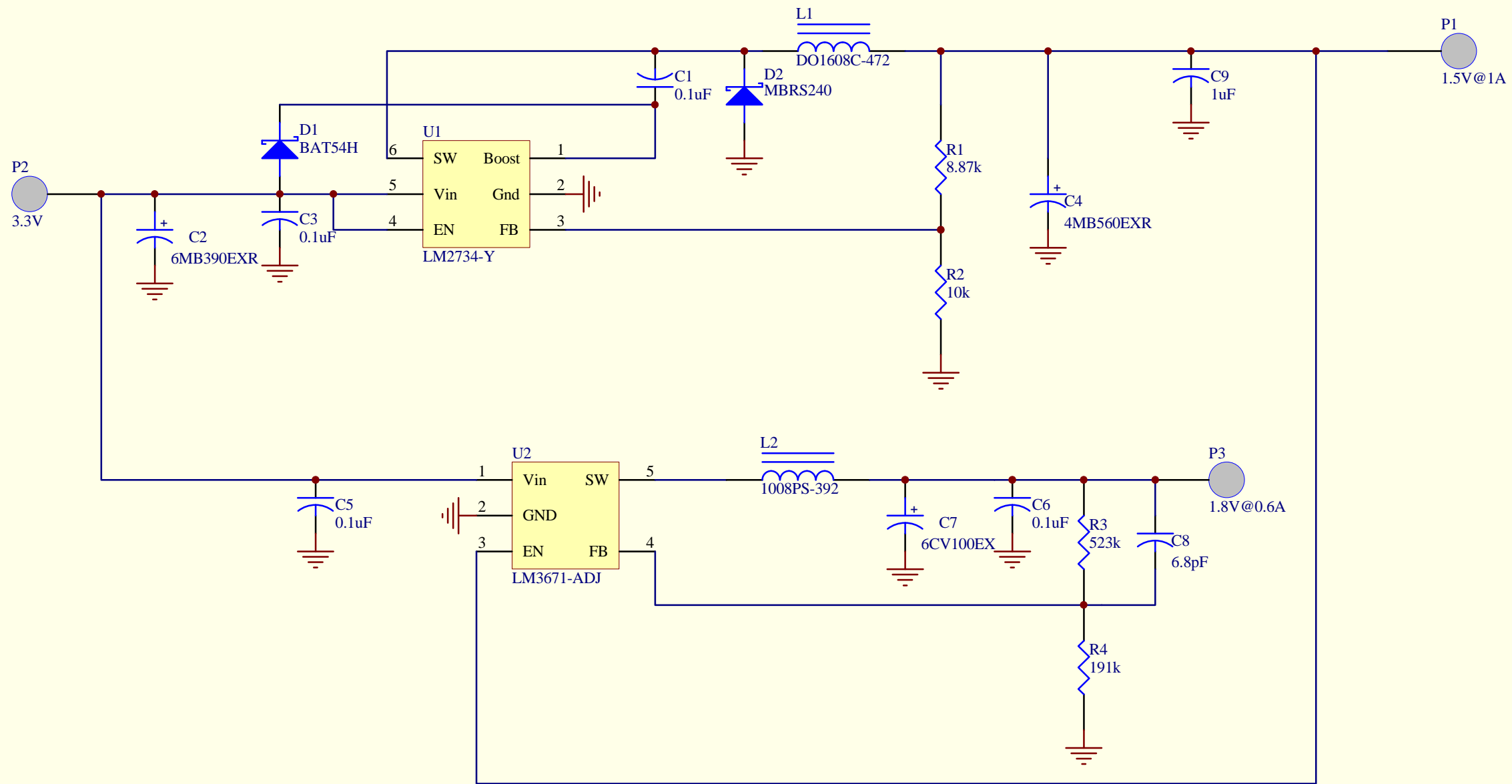




Altera Cyclone Complete Reference Design      3.3V in; 1.5V @ 1A out (Vccint) and 1.8V @ 600mA (Vccio)

National Semiconductor Corp. 2004.

<b>Designator</b>	<b>Part Type</b>	<b>Manufacturer Part No</b>	<b>Description</b>
C1	0.1uF	VISHAY CRCW0805Y104KXXA	Capacitor Ceramic X7R
C2	6MB390EXR	SANYO 6MB390EXR	SANYO Through Hole Cap
C3	0.1uF	VISHAY CRCW0805Y104KXXA	Capacitor Ceramic X7R
C4	4MB560EXR	SANYO 4MB390EXR	SANYO Through Hole Cap
C5	0.1uF	VISHAY CRCW0805Y104KXXA	Capacitor Ceramic X7R
C6	0.1uF	VISHAY CRCW0805Y104KXXA	Capacitor Ceramic X7R
C7	6CV100EX	SANYO 6CV100EX	SANYO Through Hole Cap
C8	6.8pF	VISHAY CRCW0805A6.8KXXA	Capacitor Ceramic X7R
C9	1uF	TDK C2012X5R1C105	Capacitor Ceramic X7R
D1	BAT54H	ON SEMI BAT54H	Schottky Diode
D2	MBRS240	ON SEMI MBRS240	Schottky Diode
L1	DO1608C-472	COILCRAFT DO1608C-472	SMT Power Inductor
L2	1008PS-392	COILCRAFT 1008PS-392	SMT Power Inductor
P1	1.5V@1A		TEST POINT
P2	3.3V		TEST POINT
P3	1.8V@0.6A		TEST POINT
R1	8.87k	VISHAY CRCW08058871F	1% Thick Film
R2	10k	VISHAY CRCW08051002F	1% Thick Film
R3	523k	VISHAY CRCW08055233F	1% Thick Film
R4	191k	VISHAY CRCW08051913F	1% Thick Film
U1	LM2734-Y	NAT SEMI LM2734-Y	1A Step Down Controller
U2	LM3671-ADJ	NAT SEMI LM3671-ADJ	0.6A Step Down Controller



NATIONAL SEMICONDUCTOR  
 3050 W AGUA FRIA FREEWAY  
 SUITE 150  
 PHOENIX ARIZONA 85027

19-Nov-2004