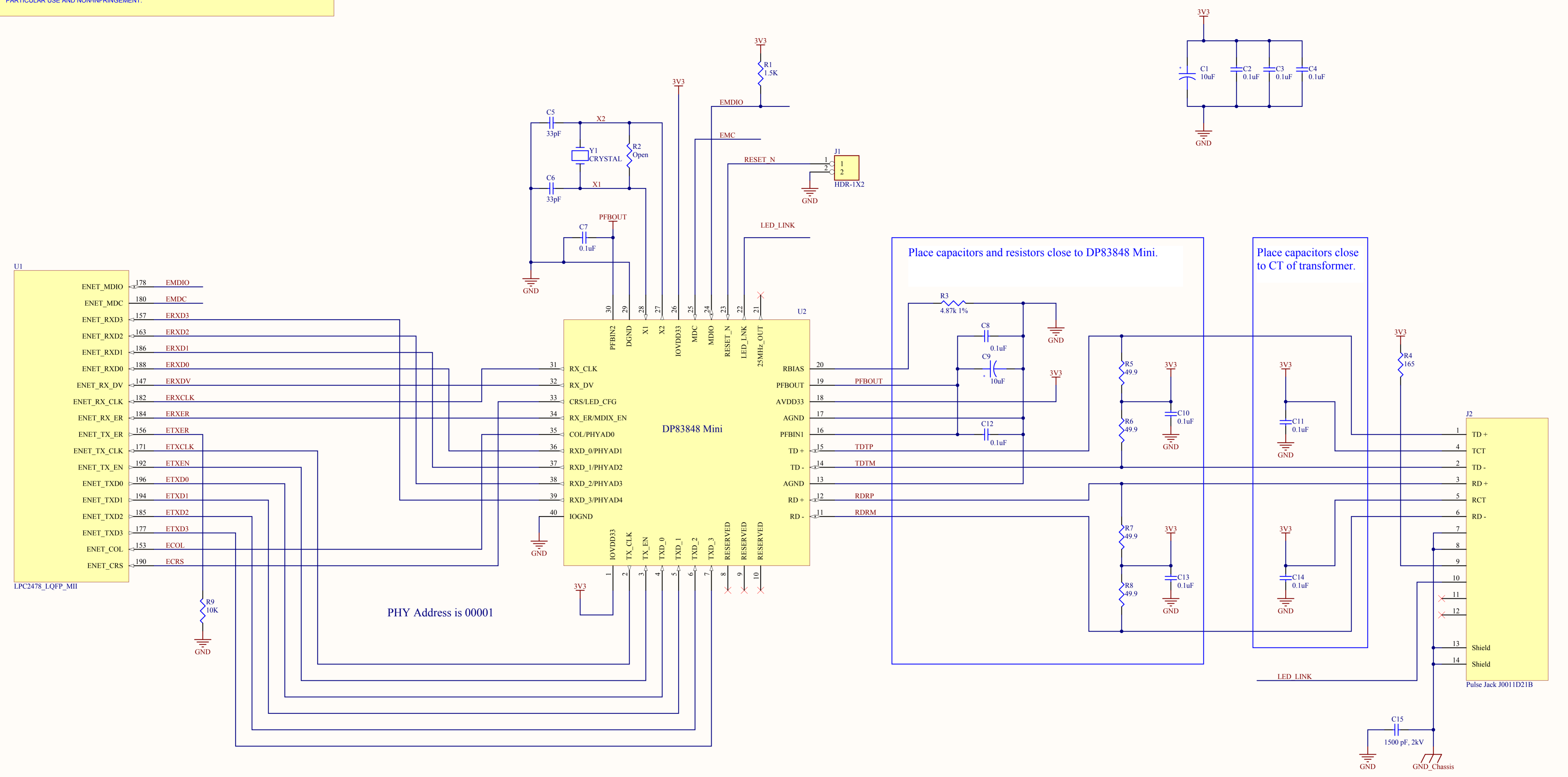


These schematics are provided for reference only. For any designs based on these schematics always contact National Semiconductor Corporation BEFORE initiating PCB manufacturing and ask for your design to be reviewed. Copyright (c) 2004 National Semiconductor Corporation. All Rights Reserved. Unpublished rights reserved under the copyright laws of the United States of America, other countries and international treaties. These schematics are provided without fee. Permission to use, copy, store, modify, disclose, transmit or distribute the schematics is granted, provided that this copyright notice must appear in any copy, modification, disclosure, transmission or distribution of the schematics. National Semiconductor Corporation retains all ownership, copyright, trade secret and proprietary rights in the schematics. THESE SCHEMATICS HAVE BEEN PROVIDED "AS IS", WITHOUT EXPRESS OR IMPLIED WARRANTY INCLUDING, WITHOUT LIMITATION, IMPLIED WARRANTIES OF MERCHANTABILITY, FITNESS FOR A PARTICULAR USE AND NON-INFRINGEMENT.

Note: For Reference Only

# DP83848Mini with NXP LPC2478\_LQFP

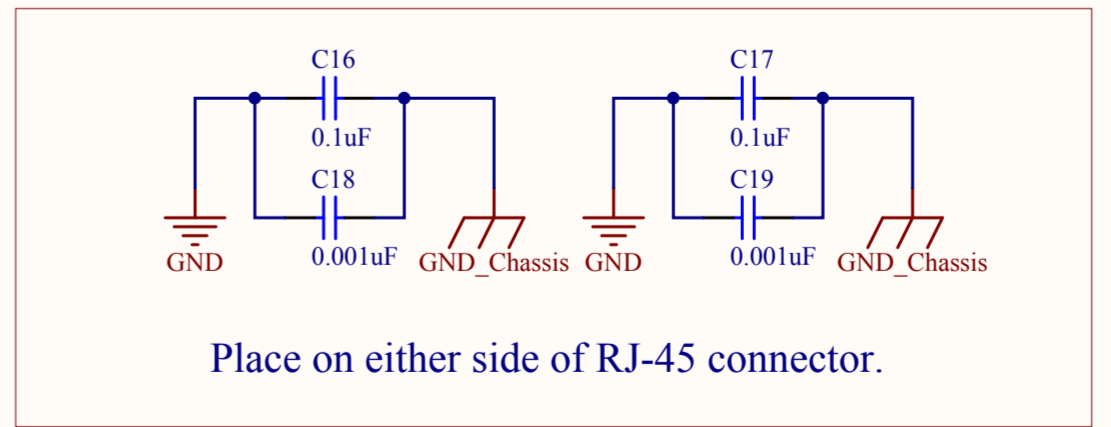


PHY Address is 00001

Place capacitors and resistors close to DP83848 Mini.

Place capacitors close to CT of transformer.

Note: The packaging DAP should be soldered to a thermal relief plane, typically GND.



File	NSC DP83848Mini / NXP LPC2478 App. Note		
Size	Document Number	Rev	
.C	ASPG - Interface Division - Working Draft: CPU & PHY MII Connections	A	
Date:	June 4, 2007	Sheet	1 of 1