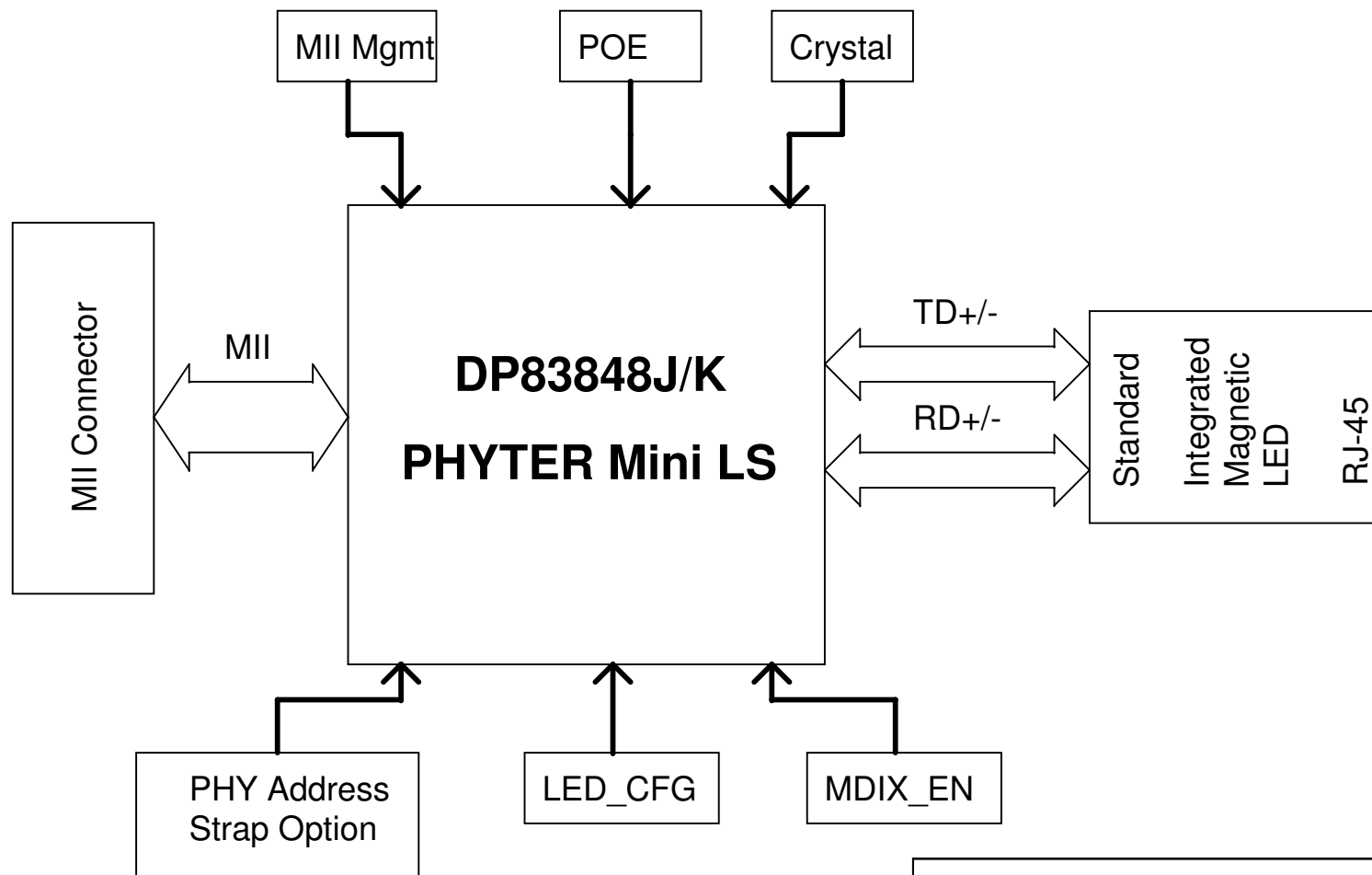
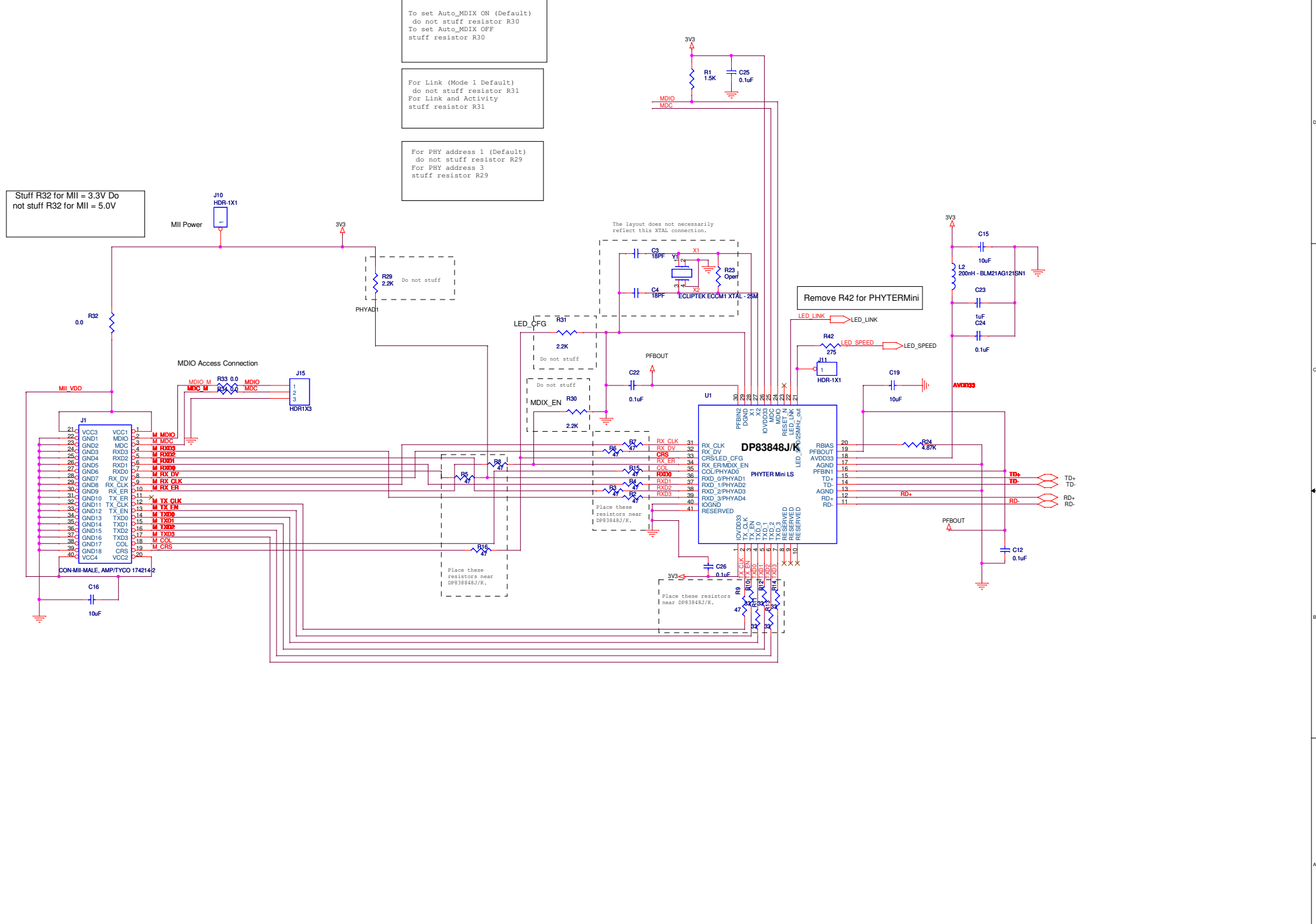


These schematics are provided for reference only. For any designs based on these schematics always contact National Semiconductor Corporation BEFORE initiating PCB manufacturing and ask for your design to be reviewed. Copyright (c) 2005 National Semiconductor Corporation. All Rights Reserved. Unpublished rights reserved under the copyright laws of the United States of America, other countries and international treaties. These schematics are provided without fee. Permission to use, copy, store, modify, disclose, transmit or distribute the schematics is granted, provided that this copyright notice must appear in any copy, modification, disclosure, transmission or distribution of the schematics. National Semiconductor Corporation retains all ownership, copyright, trade secret and proprietary rights in the schematics. THESE SCHEMATICS HAVE BEEN PROVIDED "AS IS", WITHOUT EXPRESS OR IMPLIED WARRANTY INCLUDING, WITHOUT LIMITATION, IMPLIED WARRANTIES OF MERCHANTABILITY, FITNESS FOR A PARTICULAR USE AND NON-INFRINGEMENT.



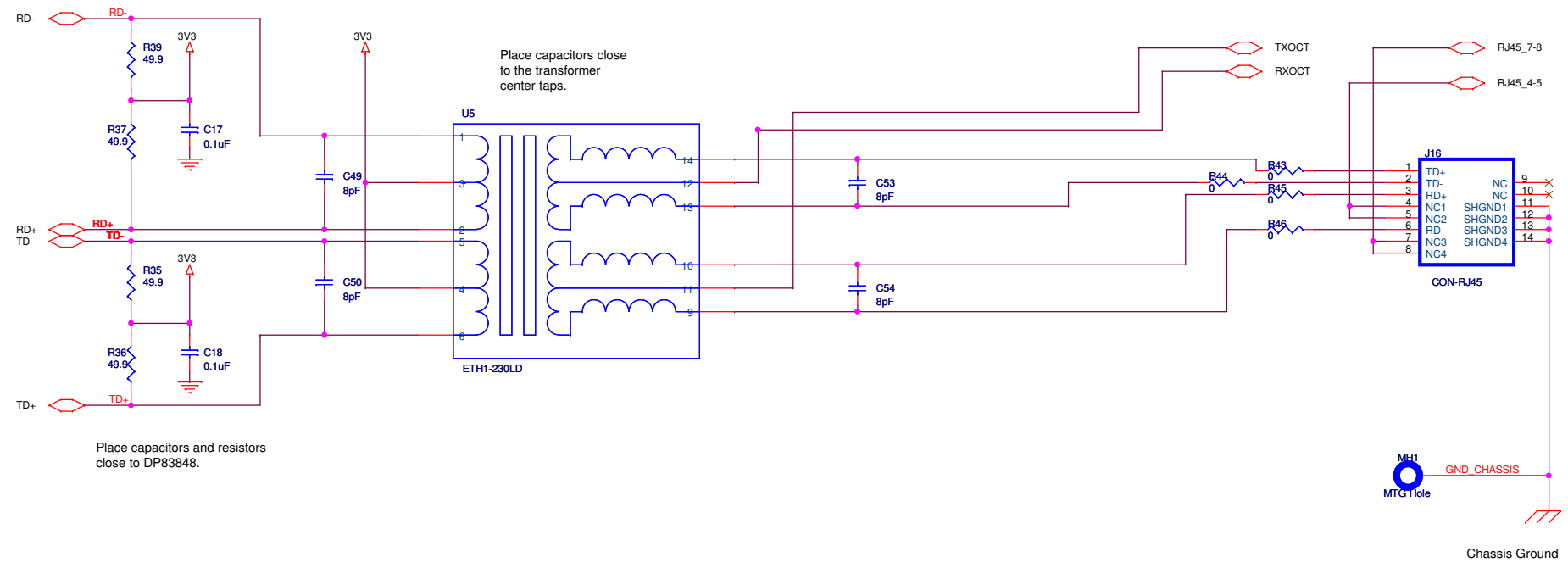
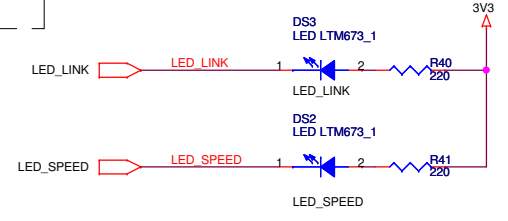
Title		
DP83848J/K PHYTER Mini LS POE MAU - Block Diagram		
Size	Document Number	Rev
Custom	870012xxx-100	A
Date:	Wednesday, December 06, 2006	Sheet 1 of 4



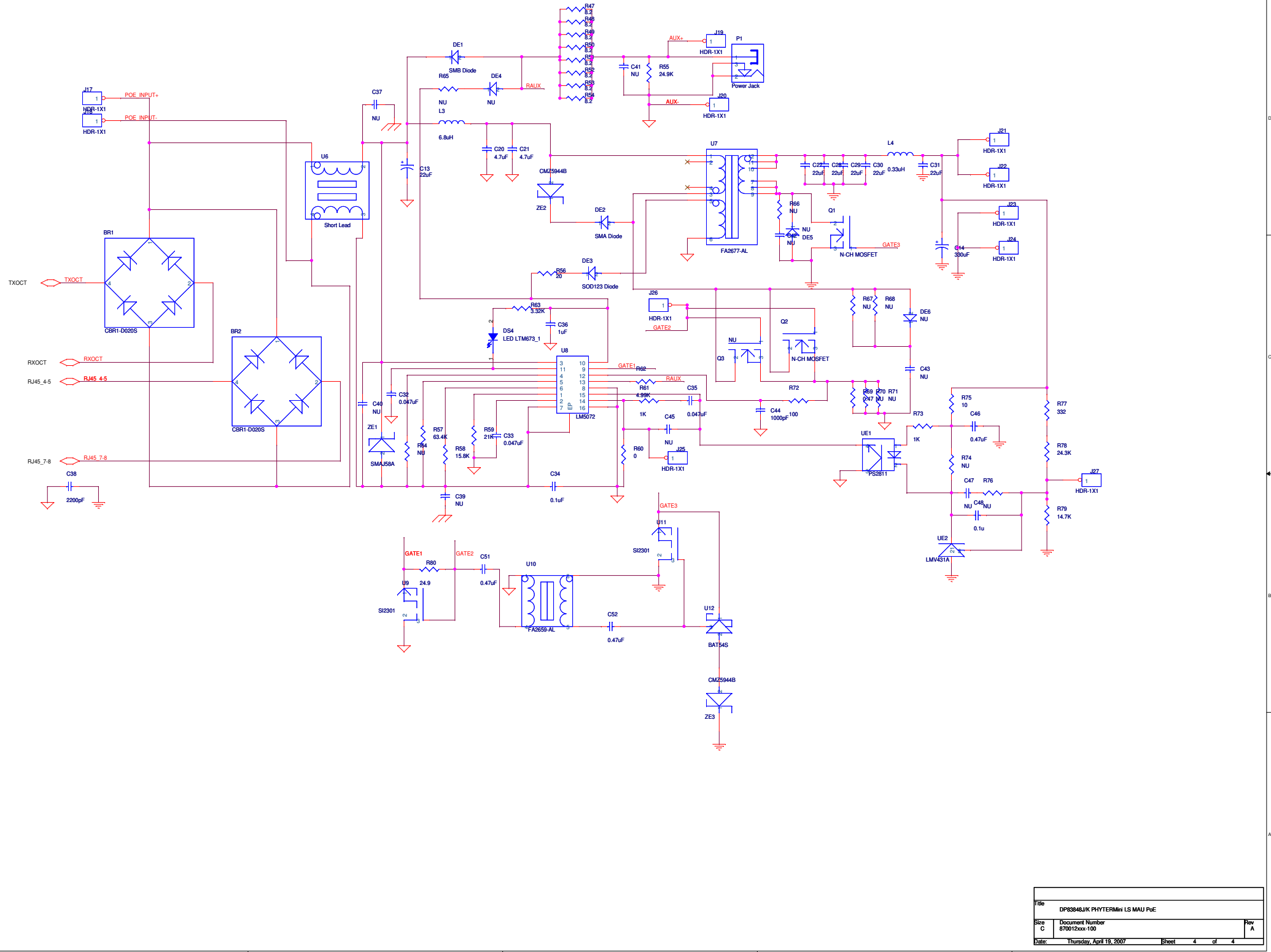
Title		DP83848J/K PHYTER Mini LS MAU	
Size	Document Number	Rev	
C	870012xxx - 100	A	
Date:	Thursday, April 19, 2007	Sheet	2 of 4

No LED in these magnetics or RJ45  
so I added them as discretes.

Auto-Negotiation Straps  
10/100Mbs H/FD Advertised



Title		
DP83848J/K PHYTERMini LS MAU PoE		
Size B	Document Number	Rev A
	870012xxx-100	
Date:	Thursday, April 19, 2007	Sheet 3 of 4



Title		DP83848LJK PHYTERmini LS MAU PoE
Size	Document Number	870012xxx-100
Date:	Thursday, April 16, 2009	Sheet 4 of 4