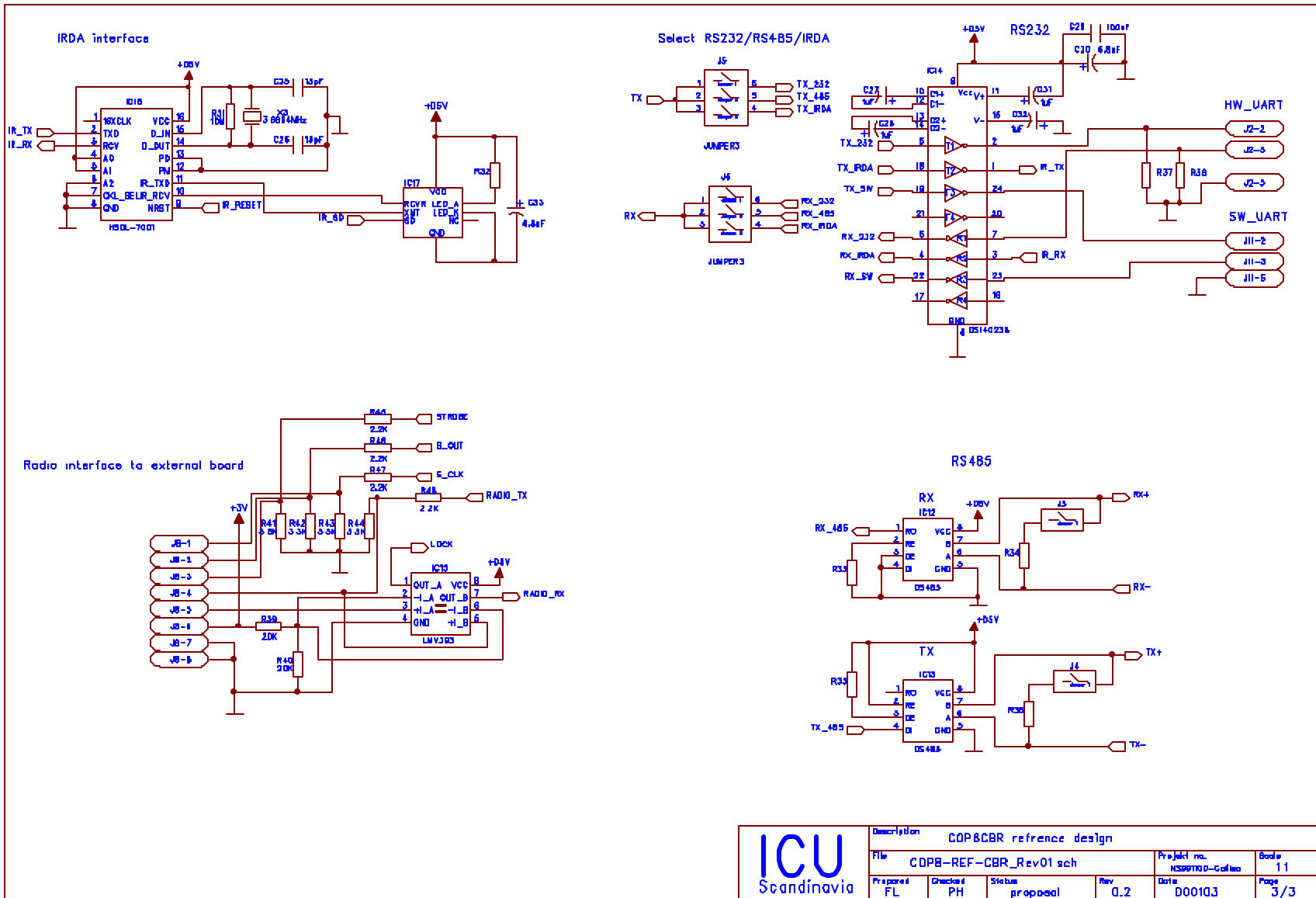


Communication Schematics



	Description: CDP&CBR reference design				
	File: CDPB-REF-CBR_Rev01.sch			Project no.: NS00100-D-Galleo	Scale: 1:1
	Prepared: FL	Checked: PH	Status: proposed	Rev: 0.2	Date: D00103