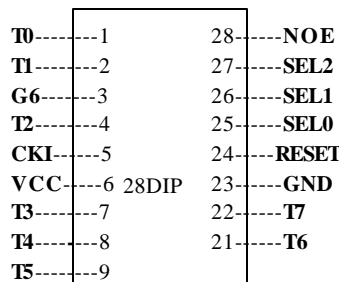
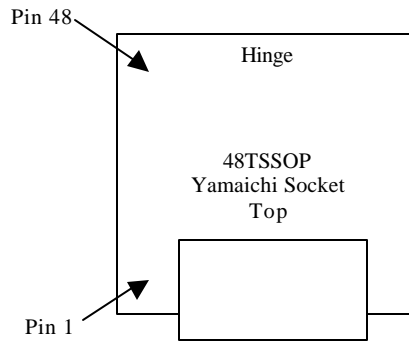
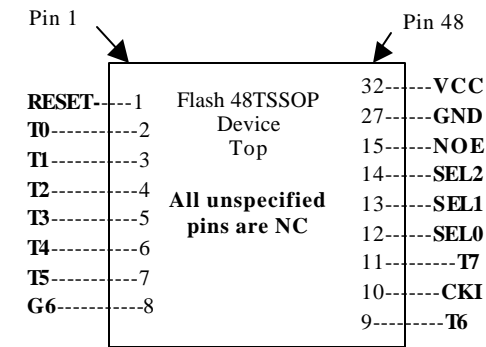


National Semiconductor
AnalogMicroControllers Group

COP8-PGMA-48TF1
Programming Adapter for COP8 Flash devices in 48TSSOP
(COP8Sxx9, COP8Cxx9, COP8LGE9)
Rev 1, 12/06/00

Only 17 pins are connected. Check the socket drawing for pin 1 location. Use Yamaichi lidded test socket: IC51-0482-1513.



Label adapter:
COP8-PGMA-48TF1 Flash

COP8 Flash
28pin BASE