



ANALOGMICROCONTROLLERS - OTP PROGRAMMING NOTE

SCOPE: COP8Sxx7 28pin CSP - Third-party Programming Adapter.

An adapter is available to allow programming of COP8Sxx7 28CSP devices from an existing 28DIP pinout on the programmer menu. (Select COP8Sxx7-28 from the programmer menu). A single adapter may be used to program either 8SAx7 or 8SGx7 device family. Adapters are currently available from the following sources:

HI-LO - Taiwan: (02)764-0215, fax-756-6403. Internet: www.hilosystems.com.tw

Part number: CNV-28CSP-COP8Sxx

Tribal - USA: 510-623-8859, fax-9925. Internet: www.tribalmicro.com

Part number: CNV-28CSP-COP8Sxx

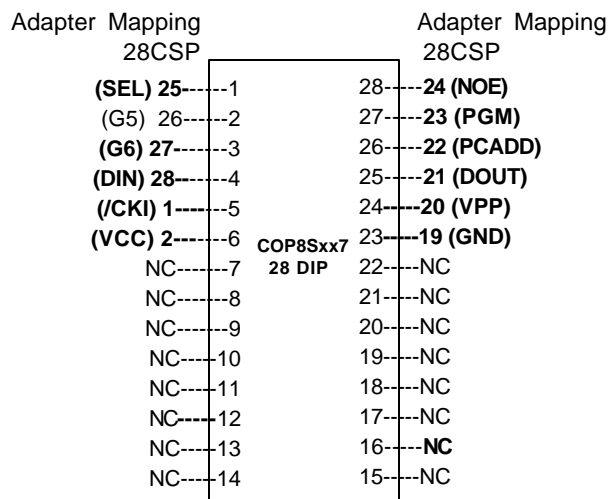
National Semiconductor - Part number: COP8-PGMA-28CSP

ADAPTER SPECIFICATIONS:

Note: Adapters should be low profile, single PCB (if possible), with adequate trace widths.

Note: Adapters should be narrow enough to be used on gang programmers.

28CSP to 28DIP adapter should use a **Loranger 03713-281-6217** lidded socket, and should be marked: COP8Sxx7-28CSP



For more information contact AMC Tools Support by fax: 1-408-721-1537 or at: www.national.com/cop8