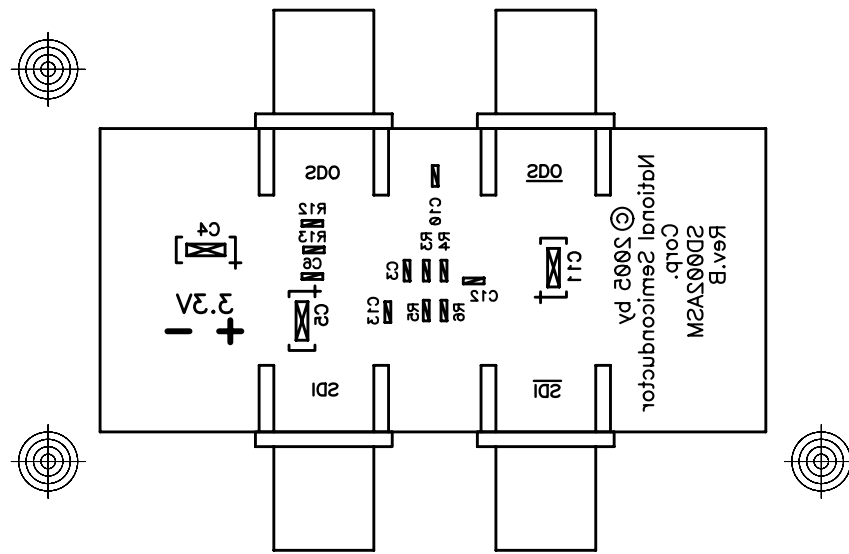


Bottom Assembly



Bottom Silk Screen

Title CLC002 Eval Board		
Size A	Number SD002ASM-PCB	Rev B
Date 18 Feb 2005	Drawn by Gary Melchior	
Filename SD002asm.PCB	Sheet	11 of 11