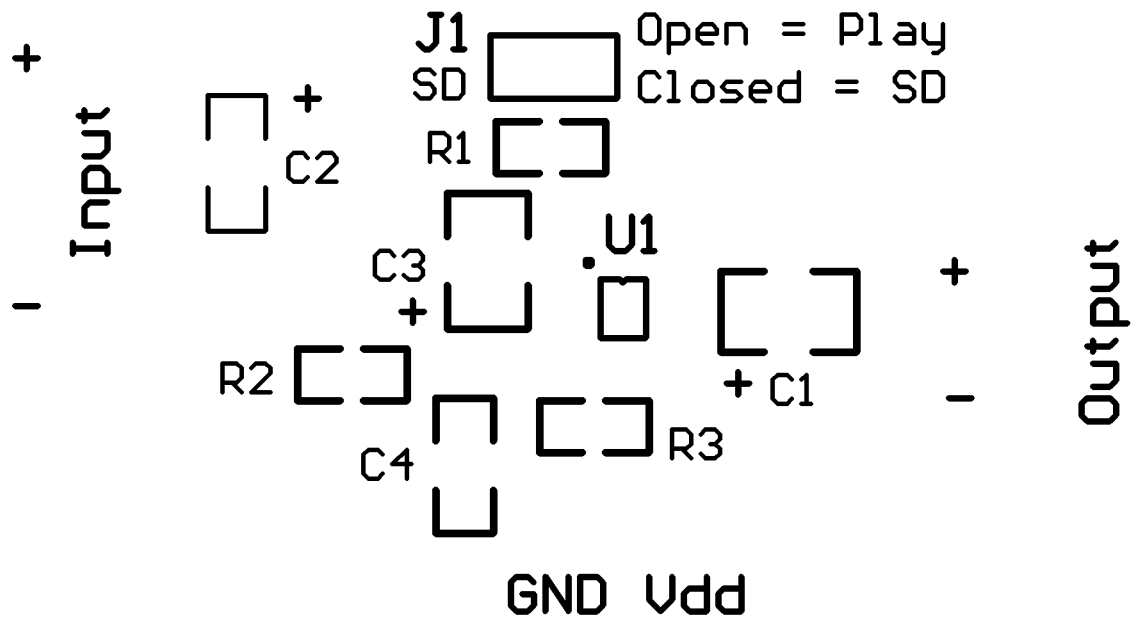


# NATIONAL SEMICONDUCTOR

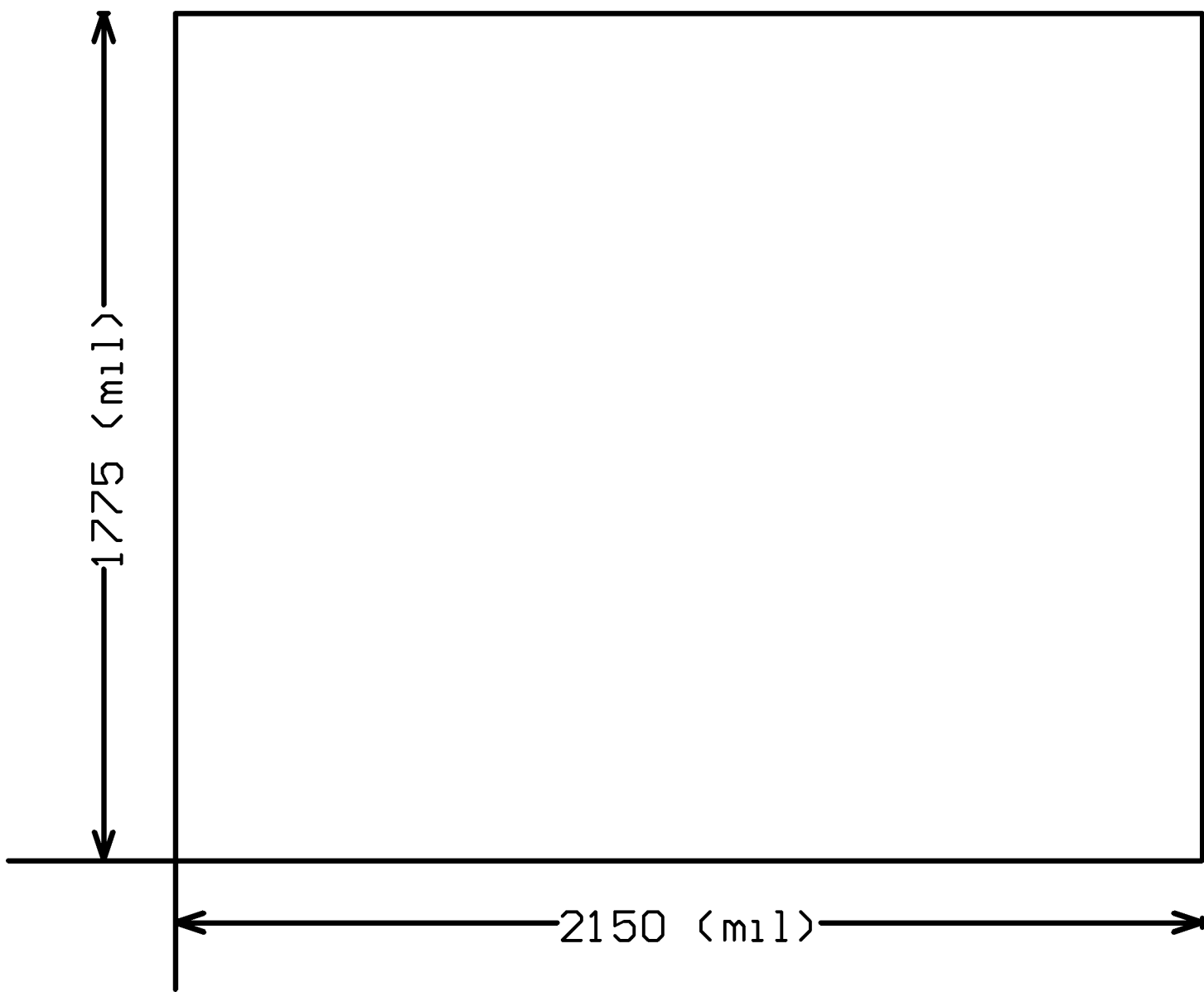
## LM4990MM (Boomer) Audio

### Amplifier with Shutdown Low



1775 (mil)

2150 (mil)



D	4	28mil	0.7112mm	PTH
A	6	38mil	0.9652mm	PTH
B	2	40mil	1.016mm	PTH
C	3	120mil	3.048mm	NPTH
	15	Total		

Drill Drawing.

